



**MICRO SWITCH**

FREEPORT, ILLINOIS, U.S.A.  
A DIVISION OF HONEYWELL

FED. MFG. CODE 91929

**PACKET**

CATALOG LISTING  
**6PA6-OP**

**6PA6-OP**

**M**

DRAWING  
NUMBER

ISSUE

2

REPLACES

RELEASE NO. SR-12585

CHECK

REVISIONS  
A CO  
81637  
GLH  
4 APR 98

10 FEB 67

10 FEB 67

10 FEB 67

10 FEB 67

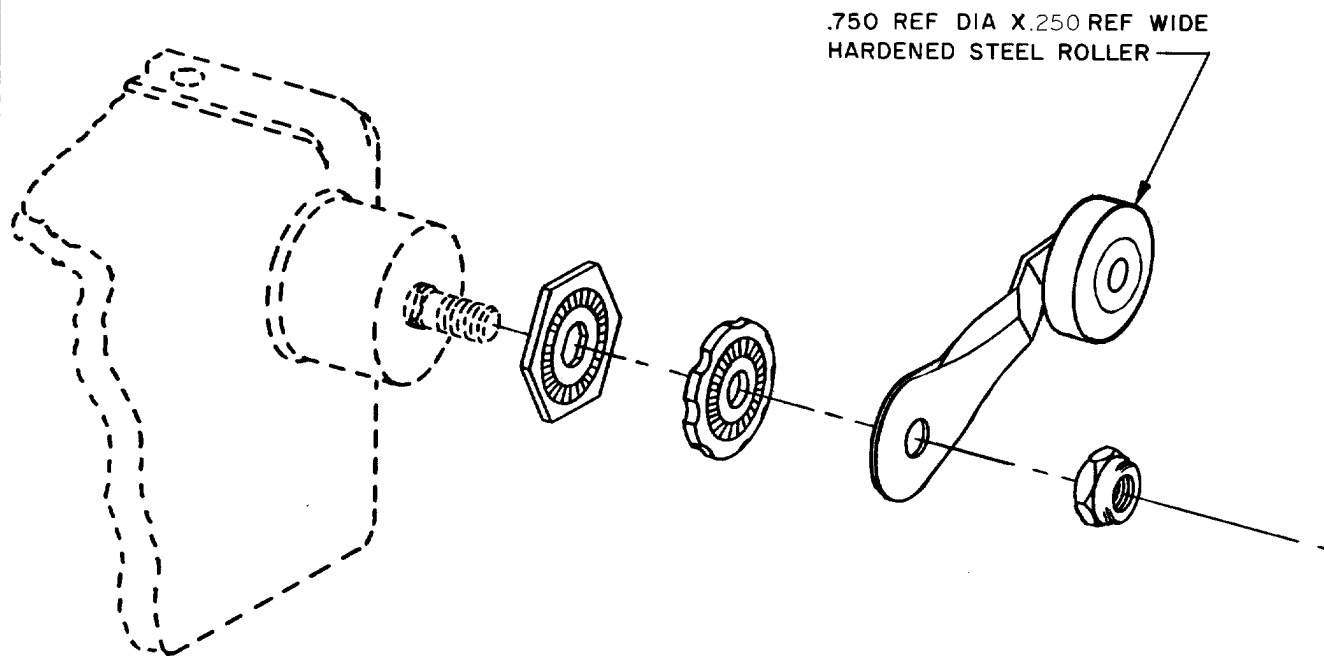
10 FEB 67

10 FEB 67

DWC 2 FEB 67

DRAWN

FC-30378



NOTE-  
1-PARTS FURNISHED UNASSEMBLED IN BULK AS A PACKET

THIS DRAWING COVERS A PROPRIETARY ITEM AND IS THE PROPERTY OF MICRO SWITCH, A DIVISION OF HONEYWELL. THIS DRAWING IS NOT TO BE COPIED OR USED WITHOUT THE APPROVAL OF MICRO SWITCH.

**CHARACTERISTICS**

**ELECTRICAL DATA**

**SCALE**

CONTACT ARRANGEMENT

DO NOT SCALE PRINT

UNLESS OTHERWISE NOTED

DIMENSIONS ARE IN INCHES

**TOLERANCES ARE:**

ONE PLACE	(.0)	±.030
TWO PLACE	(.00)	±.015
THREE PLACE	(.000)	±.005
ANGLES		±

WEIGHT