

# MICRO SWITCH

A DIVISION OF MINNEAPOLIS-HONEYWELL REGULATOR COMPANY  
FREDPORT, ILLINOIS

FED. MFR. CODE 91929

# ACTUATOR-SWITCH

CATALOG LISTING

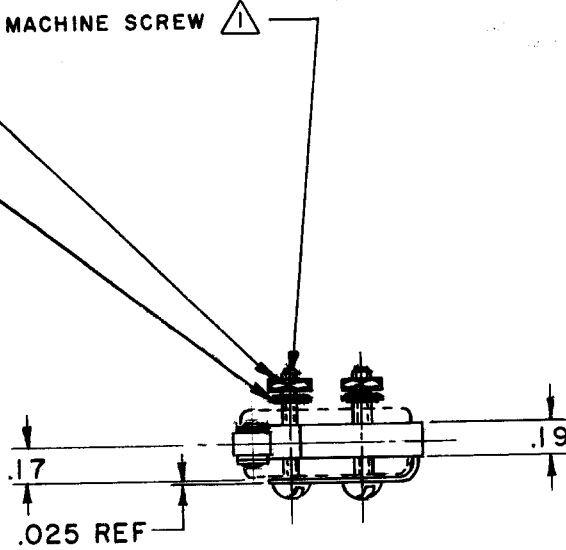
JE-17

5

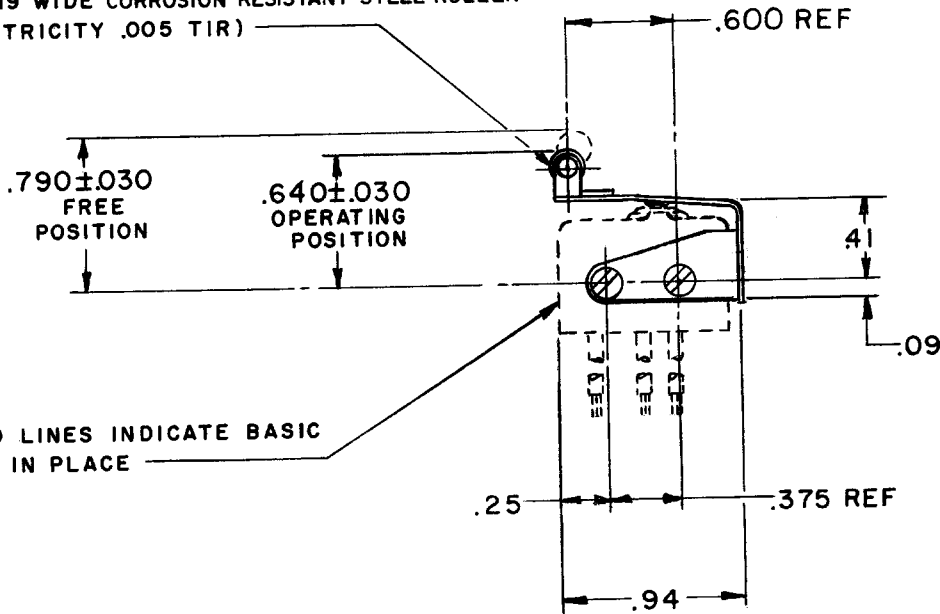
(2) 2-56 NC X.625 REF ROUND HEAD MACHINE SCREW  $\triangle$

(2) 2-56 NC HEX NUT  $\triangle$

(2) LOCKWASHER  $\triangle$



.19 DIA X.19 WIDE CORROSION RESISTANT STEEL ROLLER  
(CONCENTRICITY .005 TIR)



DOTTED LINES INDICATE BASIC SWITCH IN PLACE

NOTE -  $\triangle$  FURNISHED UNASSEMBLED

THIS DRAWING COVERS A PROPRIETARY ITEM AND IS THE PROPERTY OF MICRO SWITCH, A DIVISION OF MINNEAPOLIS-HONEYWELL REGULATOR CO. THIS DRAWING IS NOT TO BE COPIED OR USED WITHOUT THE APPROVAL OF MICRO SWITCH.

### CHARACTERISTICS (WITH ISEI BASIC SWITCH INSTALLED)

OPERATING FORCE ----- 12 OZ MAX  
RELEASE FORCE ----- 2 OZ MIN  
DIFFERENTIAL TRAVEL ----- .025 MAX  
OVERTRAVEL ----- .015 MIN

### ELECTRICAL DATA

CONTACT ARRANGEMENT

### SCALE FULL

DO NOT SCALE PRINT

UNLESS OTHERWISE SPECIFIED DIMENSIONS ARE IN INCHES

### TOLERANCES ARE:

ONE PLACE (.0)  $\pm$ .030  
TWO PLACE (.00)  $\pm$ .015  
THREE PLACE (.000)  $\pm$ .008  
ANGLES  $\pm$

WEIGHT

JE-17

M

DRAWING NUMBER

9

ISSUE

REPLACES

RELEASE NO. MPS SR 10600

CHECK

### REVISIONS

|   |             |           |
|---|-------------|-----------|
| A | MADE<br>MPS |           |
|   | M B F       | 23 OCT 62 |
| B | SR 10600    |           |
|   | O M W       | 31 OCT 62 |
| C | CO17824     |           |
|   | D W V       | 26 FEB 63 |
| D | CO47771     |           |
|   | C J H       | 17 MAY 80 |
| E | CO 61293    |           |
|   | W J M       | 14 APR 87 |
| F | CO69723     |           |
|   | T S M       | 6 MAR 91  |
| G | CO74078     |           |
|   | L J F       | 25 NOV 92 |
| H | CO79303     |           |
|   | D L T       | 3 MAR 95  |

22 JUNE 60

FWF 21 JUNE 60

CHECK

11 NOV 62

CHECK

22 JUNE 60

CHECK

DRAWN

M B F

0-50378