

**MICRO SWITCH**  
A DIVISION OF MINNEAPOLIS-HONEYWELL REGULATOR COMPANY  
PINEBROOK, ILLINOIS  
FED. MFR. CODE 91929

**ACTUATOR-SWITCH**

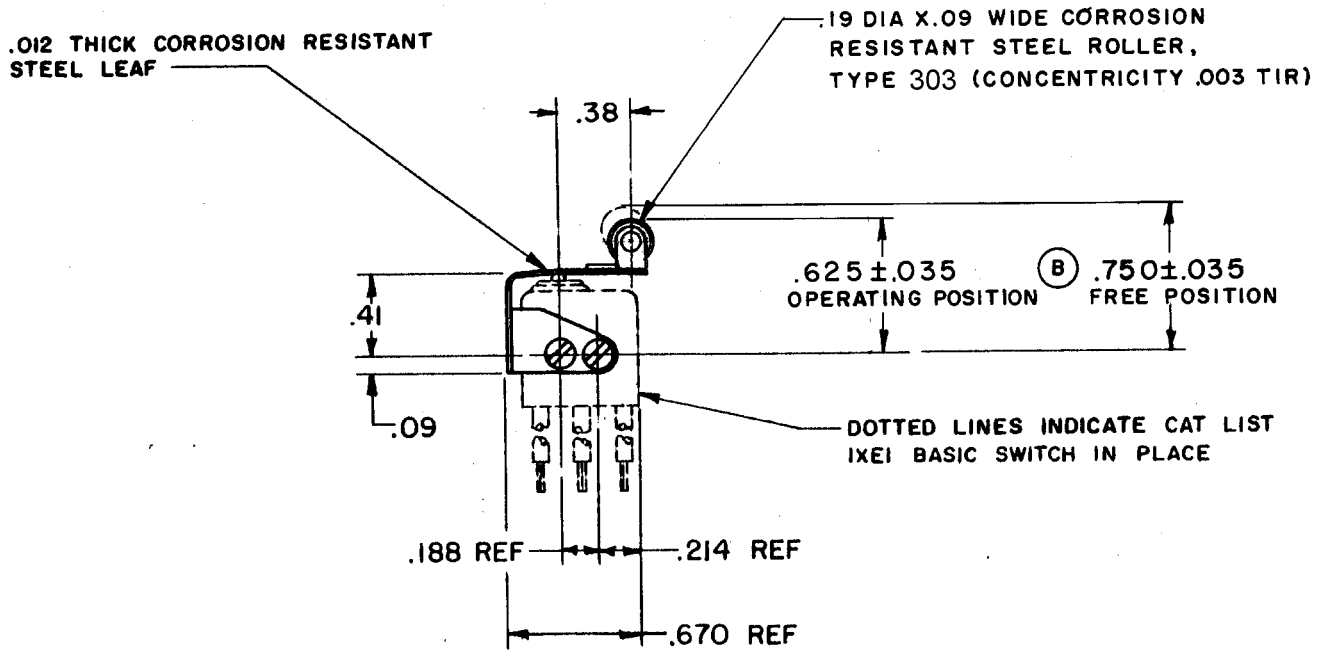
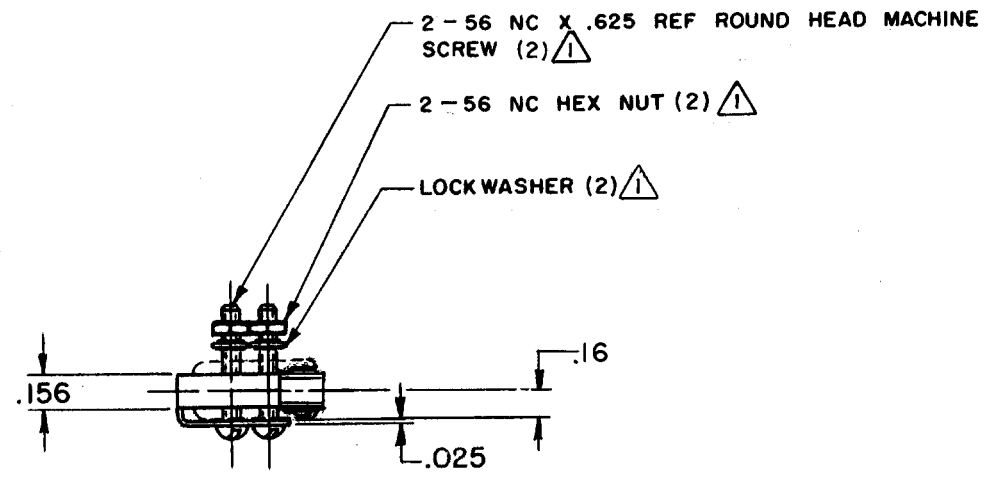
(M) SKETCH 29120  
ISSUE 1

JM-5  
M  
DRAWING NUMBER  
7  
ISSUE

REVISIONS

A	0017844	ONW	26 FEB 63
B	0018559	VDF	17 OCT 63
C	0047771	CJH	17 MAY 80
D	0074078	LJF	25 NOV 92
E	0079303	DLT	6 MAR 95
F	0015428	SPK	14 SEP 05

REPLACES ISSUE 1  
RELEASE NO. SR 9307  
CHECK BLS 28 SEP 60  
CHECK RJP 28 SEP 60  
CHECK DLT 6 MAR 95  
CHECK GCH 7 NOV 60  
CHECK MBF 27 SEP 60  
DRAWN



NOTE -  
△ - FURNISHED UNASSEMBLED

CHECK RJ 14SEP05

THIS DRAWING COVERS A PROPRIETARY ITEM AND IS THE PROPERTY OF MICRO SWITCH, A DIVISION OF MINNEAPOLIS-HONEYWELL REGULATOR CO. THIS DRAWING IS NOT TO BE COPIED OR USED WITHOUT THE APPROVAL OF MICRO SWITCH.

CHARACTERISTICS WITH IXE1 BASIC SWITCH INSTALLED
OPERATING FORCE ———— 21 OZ MAX
RELEASE FORCE ———— (A) — 3 OZ MIN
DIFFERENTIAL TRAVEL ———— .012 MAX
OVERTRAVEL ———— .009 MIN

ELECTRICAL DATA	
CONTACT ARRANGEMENT	BREAK DISTANCE

SCALE FULL
DO NOT SCALE PRINT
UNLESS OTHERWISE SPECIFIED DIMENSIONS ARE IN INCHES
<b>TOLERANCES ARE:</b>
ONE PLACE (.0) ±.030
TWO PLACE (.00) ±.015
THREE PLACE (.000) ±.008
ANGLES ±
WEIGHT