

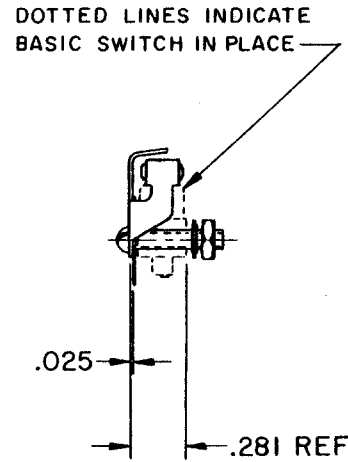
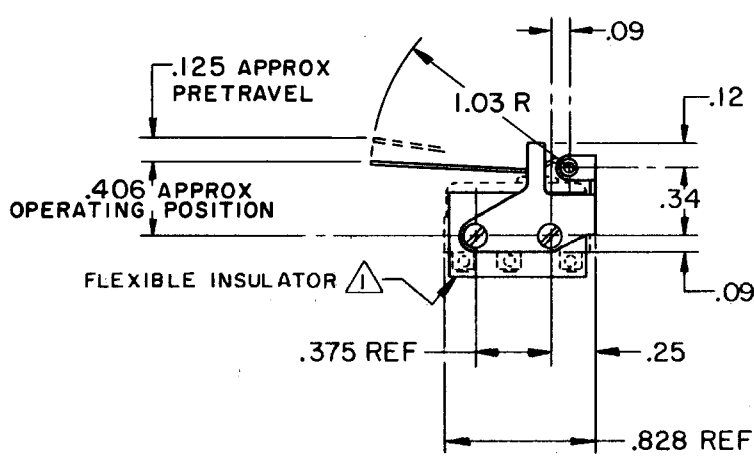
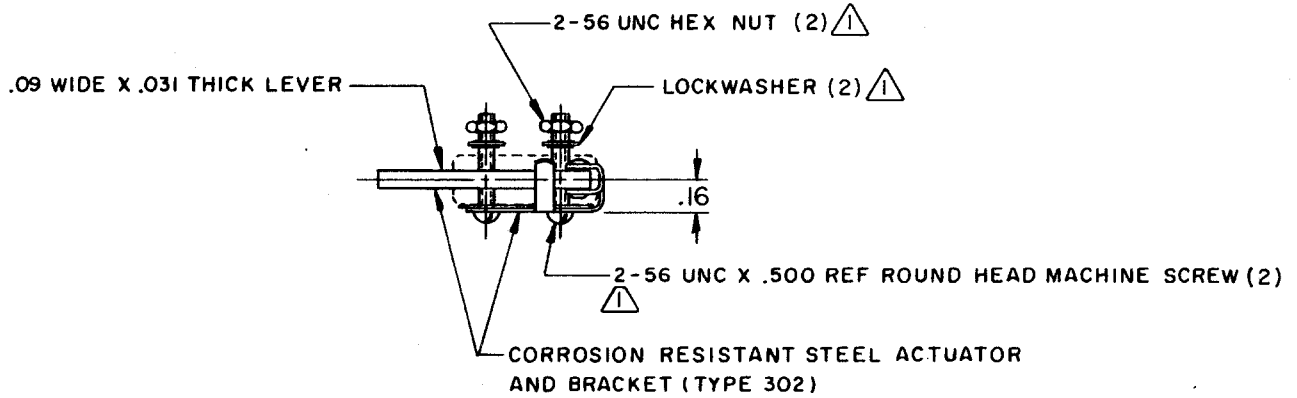



MICRO SWITCH
 FREEPORT, ILLINOIS, U.S.A.
 A DIVISION OF HONEYWELL
 FED. MFG. CODE 91929

ACTUATOR - SWITCH

CATALOG LISTING
JS-220

JS-220
 M
 DRAWING NUMBER
 ISSUE 5
 REVISIONS
 A C021422 0 MW 21 JUN 66
 B C047771 CJH 17 MAY 80
 C C079303 DLT 8 MAR 95
 CHECK
 28 JUN '66
 L S D
 CHECK
 66
 JUN 21
 O M W
 DRAWN
 FO-90376



NOTE -
 FURNISHED UNASSEMBLED

THIS DRAWING COVERS A PROPRIETARY ITEM AND IS THE PROPERTY OF MICRO SWITCH, A DIVISION OF HONEYWELL. THIS DRAWING IS NOT TO BE COPIED OR USED WITHOUT THE APPROVAL OF MICRO SWITCH.

CHARACTERISTICS WITH ISMI BASIC SWITCH INSTALLED

OPERATING FORCE	-----	1 OZ MAX
RELEASE FORCE	-----	4 GRAM MIN
DIFFERENTIAL TRAVEL	-----	.030 MAX
OVERTRAVEL	-----	.030 MIN

ELECTRICAL DATA

CONTACT ARRANGEMENT

SCALE FULL

DO NOT SCALE PRINT

UNLESS OTHERWISE NOTED

DIMENSIONS ARE IN INCHES

TOLERANCES ARE:

ONE PLACE	(.0)	±.030
TWO PLACE	(.00)	±.015
THREE PLACE	(.000)	±.005
ANGLES		±

WEIGHT