

MICRO SWITCH

A DIVISION OF MINNEAPOLIS-HONEYWELL REGULATOR COMPANY
 FREEPORT, ILLINOIS
 FED. MFR. CODE 91929

ACTUATOR - SWITCH

CATALOG LISTING

JS-6

(M) JS-6
 ISSUE 2

JS-6

M

DRAWING NUMBER

4

ISSUE

REPLACES

RELEASE NO.

CHECK

CHECK

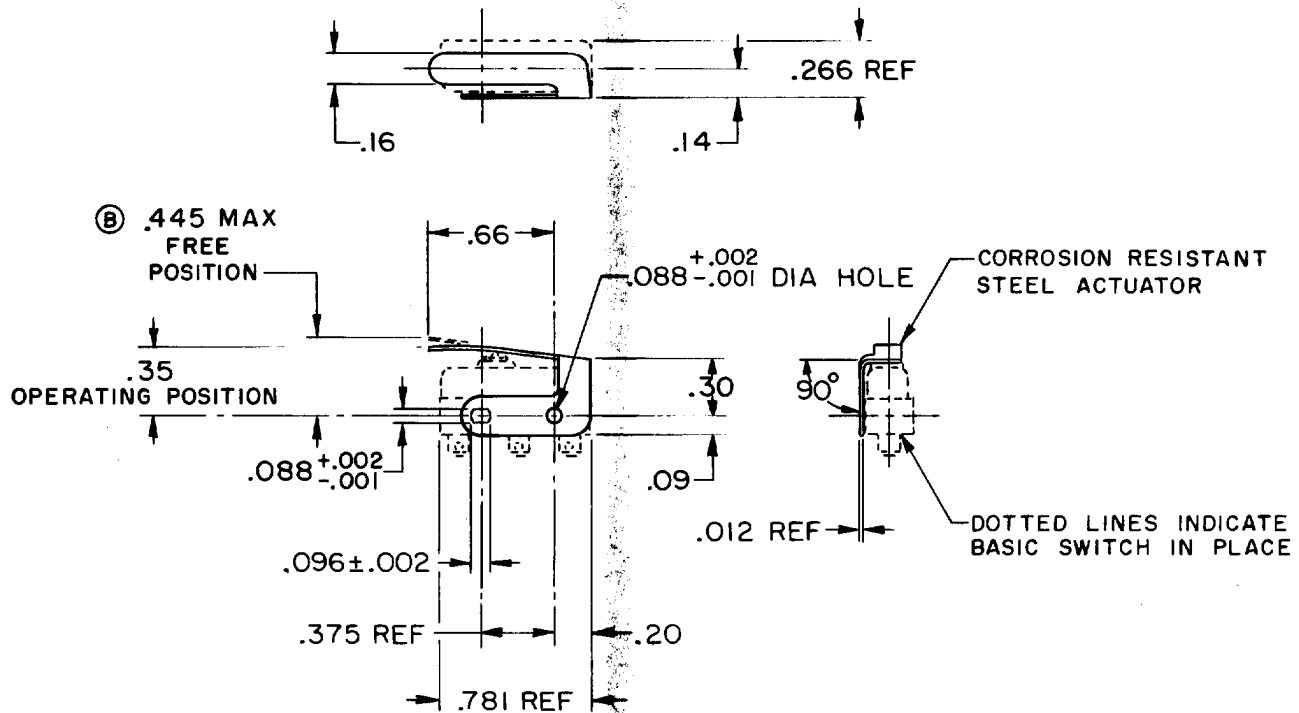
13 MAY 59

CHECK

13 MAY 59

DRAWN

FO-50378



THIS DRAWING COVERS A PROPRIETARY ITEM AND IS THE PROPERTY OF MICRO SWITCH, A DIVISION OF MINNEAPOLIS-HONEYWELL REGULATOR CO. THIS DRAWING IS NOT TO BE COPIED OR USED WITHOUT THE APPROVAL OF MICRO SWITCH.

CHARACTERISTICS WITH ISMI BASIC SWITCH INSTALLED		ELECTRICAL DATA		SCALE - FULL
OPERATING FORCE	-----10 OZ MAX	CONTACT ARRANGEMENT	BREAK DISTANCE	DO NOT SCALE PRINT
RELEASE FORCE	-----ⓑ 2 OZ MIN			UNLESS OTHERWISE SPECIFIED
PRETRAVEL	-----.078 MAX			DIMENSIONS ARE IN INCHES
DIFFERENTIAL TRAVEL	-----.015 MAX			TOLERANCES ARE:
OVERTRAVEL	-----.015 MIN			ONE PLACE (.0) ±.030
				TWO PLACE (.00) ±.015
				THREE PLACE (.000) ±.005
				ANGLES ± 2°
				WEIGHT