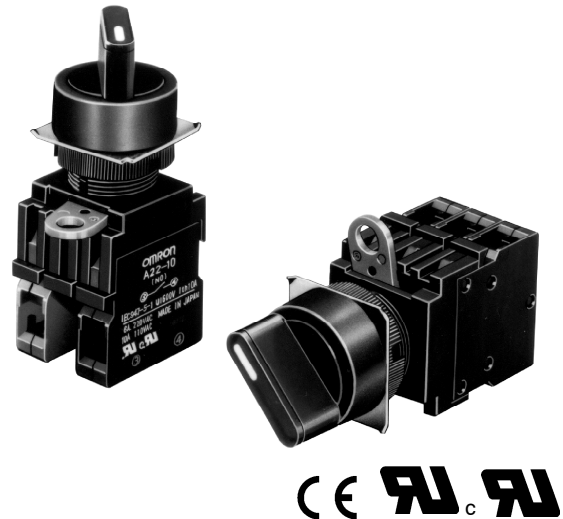


### Knob-type Selector Switch

### A22S/W

Install in 22-mm dia. or 25-mm dia.  
Panel Cutout

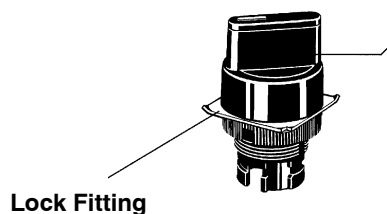
- Illuminated and Non-illuminated models
- Locking lever ensures easy mounting and removal of switch unit
- Increase wiring efficiency and decrease mounting depth with three-row mounting of switch unit contact blocks
- Finger-safe contact blocks
- Use optional 25-mm dia. ring to install in 25-mm dia. panel cutouts



This product was manufactured at OMRON Izumo. OMRON Izumo has obtained approvals from international certification bodies for its quality system and environmental control system.

## Ordering Information

### ■ CONSTRUCTION

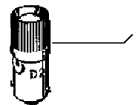


#### Operational Unit

Number of Positions:  
2 Positions/3 Positions

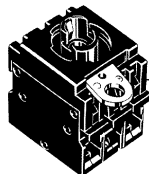
#### Applicable Colors

Non-illuminated: Black  
Illuminated: Red, green, yellow, blue



#### Lamp

- **Light Source**  
LED Lamp  
Incandescent Lamp

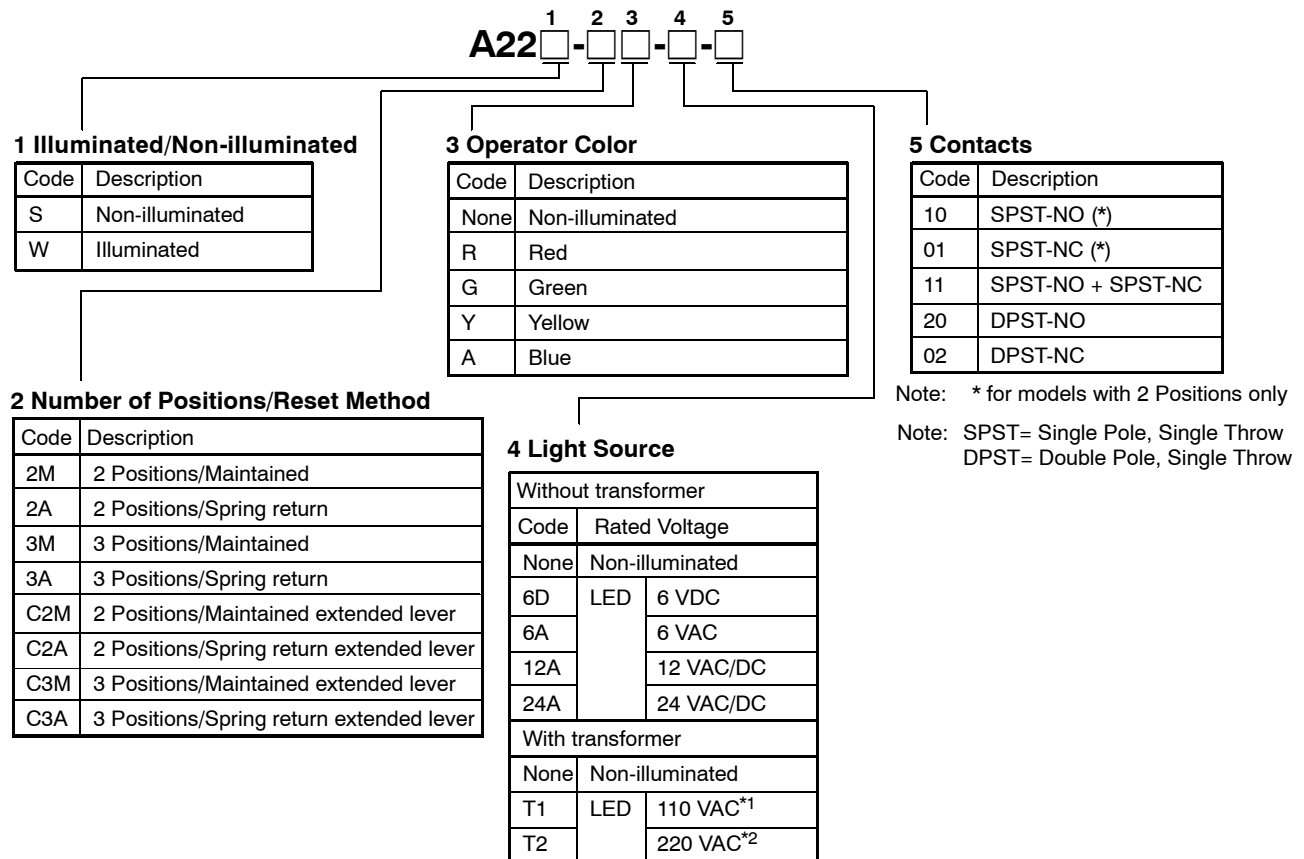


#### Switch Unit

- **Contacts**  
SPST-NO, SPST-NC, SPST-NO + SPST-NC, DPST-NO, DPST-NC
- **Lighting Method**  
Non-illuminated  
Illuminated (without transformer)  
Illuminated (with transformer)

## ■ PART NUMBER LEGEND

Shipped as a set which includes the Operational Unit, LED (Illuminated Type only), and Switch Unit.



\*1) Operational voltage: 95 to 115 VAC

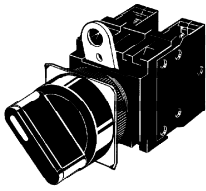




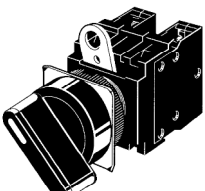



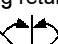



\*2) Operational voltage: 190 to 230 VAC

Note: With transformer types, the LED lamp (24 VAC/DC) can be lit by directly applying 110 VAC/DC (220 VAC/DC) to the lamp terminal. The LED is a 24-VAC/DC type.

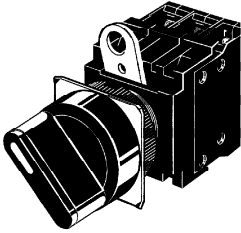


(Actual color of yellow selector switches more closely resembles amber than true yellow.)

## ■ KNOB-TYPE SELECTOR SWITCH

### Non-illuminated

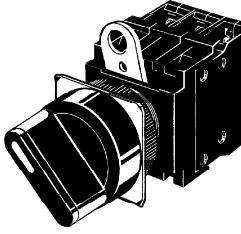

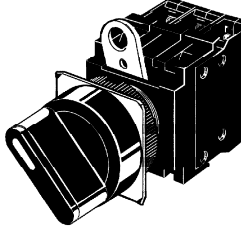

Appearance	Positions	Operating method	Contacts	Operator color	Part number	
Knob-type selector switch 	2 positions	Maintained 	SPST-NO	Black	A22S-2M-10	
			SPST-NC		A22S-2M-01	
			SPST-NO + SPST-NC		A22S-2M-11	
		Spring return 	DPST-NO		A22S-2M-20	
			DPST-NC		A22S-2M-02	
			SPST-NO		A22S-2A-10	
	3 positions	Maintained 	SPST-NO + SPST-NC		A22S-2A-01	
			DPST-NO		A22S-2A-11	
			DPST-NC		A22S-2A-20	
		Spring return 	SPST-NO + SPST-NC		A22S-2A-02	
			DPST-NO		A22S-3M-11	
			DPST-NC		A22S-3M-20	
	Extended lever knob-type selector switch 	2 positions	Maintained 	SPST-NO	Black	A22S-3M-02
				SPST-NC		A22S-3A-11
SPST-NO + SPST-NC				A22S-3A-20		
Spring return 			DPST-NO	A22S-3A-02		
			DPST-NC	A22S-C2M-10		
			SPST-NO	A22S-C2M-01		
3 positions		Maintained 	SPST-NO + SPST-NC	A22S-C2M-11		
			DPST-NO	A22S-C2M-11		
			DPST-NC	A22S-C2M-20		
		Spring return 	DPST-NC	A22S-C2M-02		
			SPST-NO	A22S-C2A-10		
			SPST-NC	A22S-C2A-01		
3 positions		Maintained 	SPST-NO + SPST-NC	A22S-C2A-11		
			DPST-NO	A22S-C2A-20		
	DPST-NC		A22S-C2A-02			
	Spring return 	SPST-NO + SPST-NC	A22S-C3M-11			
		DPST-NO	A22S-C3M-20			
		DPST-NC	A22S-C3M-02			
Spring return 	SPST-NO + SPST-NC	A22S-C3A-11				
	DPST-NO	A22S-C3A-20				
	DPST-NC	A22S-C3A-02				

## Illuminated (Without Transformer)

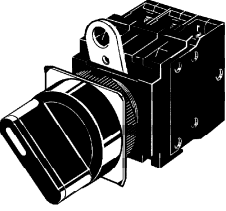




Appearance	Positions	Operating method	Contacts	Rated voltage	Operator color	Part number
Knob-type selector switch LED lighting (without transformer) 	2 positions	Maintained 	SPST-NO	6 VDC	Insert one of the following letters into the box □.  R (red) Y (yellow) G (green) A (blue)	A22W-2M□-6D-10
				6 VAC		A22W-2M□-6A-10
				12 VAC/DC		A22W-2M□-12A-10
				24 VAC/DC		A22W-2M□-24A-10
			SPST-NC	6 VDC		A22W-2M□-6D-01
				6 VAC		A22W-2M□-6A-01
				12 VAC/DC		A22W-2M□-12A-01
				24 VAC/DC		A22W-2M□-24A-01
			SPST-NO + SPST-NC	6 VDC		A22W-2M□-6D-11
				6 VAC		A22W-2M□-6A-11
				12 VAC/DC		A22W-2M□-12A-11
				24 VAC/DC		A22W-2M□-24A-11
			DPST-NO	6 VDC		A22W-2M□-6D-20
				6 VAC		A22W-2M□-6A-20
				12 VAC/DC		A22W-2M□-12A-20
				24 VAC/DC		A22W-2M□-24A-20
			DPST-NC	6 VDC		A22W-2M□-6D-02
				6 VAC		A22W-2M□-6A-02
		12 VAC/DC		A22W-2M□-12A-02		
		24 VAC/DC		A22W-2M□-24A-02		
		Spring return 	SPST-NO	6 VDC	A22W-2A□-6D-10	
				6 VAC	A22W-2A□-6A-10	
				12 VAC/DC	A22W-2A□-12A-10	
				24 VAC/DC	A22W-2A□-24A-10	
			SPST-NC	6 VDC	A22W-2A□-6D-01	
				6 VAC	A22W-2A□-6A-01	
				12 VAC/DC	A22W-2A□-12A-01	
				24 VAC/DC	A22W-2A□-24A-01	
			SPST-NO + SPST-NC	6 VDC	A22W-2A□-6D-11	
				6 VAC	A22W-2A□-6A-11	
				12 VAC/DC	A22W-2A□-12A-11	
				24 VAC/DC	A22W-2A□-24A-11	
			DPST-NO	6 VDC	A22W-2A□-6D-20	
				6 VAC	A22W-2A□-6A-20	
				12 VAC/DC	A22W-2A□-12A-20	
				24 VAC/DC	A22W-2A□-24A-20	
DPST-NC	6 VDC		A22W-2A□-6D-02			
	6 VAC		A22W-2A□-6A-02			
	12 VAC/DC	A22W-2A□-12A-02				
	24 VAC/DC	A22W-2A□-24A-02				

(This table continues on the next page.)

Ordering Information Table - continued from previous page

Appearance	Positions	Operating method	Contacts	Rated voltage	Operator color	Part number
Knob-type selector switch LED lighting (without transformer) 	3 positions	Maintained 	SPST-NO + SPST-NC	6 VDC	Insert one of the following letters into the box □. R (red) Y (yellow) G (green) A (blue)	A22W-3M□-6D-11
				6 VAC		A22W-3M□-6A-11
				12 VAC/DC		A22W-3M□-12A-11
				24 VAC/DC		A22W-3M□-24A-11
			DPST-NO	6 VDC	A22W-3M□-6D-20	
				6 VAC	A22W-3M□-6A-20	
				12 VAC/DC	A22W-3M□-12A-20	
				24 VAC/DC	A22W-3M□-24A-20	
			DPST-NC	6 VDC	A22W-3M□-6D-02	
				6 VAC	A22W-3M□-6A-02	
				12 VAC/DC	A22W-3M□-12A-02	
				24 VAC/DC	A22W-3M□-24A-02	
Knob-type selector switch LED lighting (without transformer) 	3 positions	Spring return 	SPST-NO + SPST-NC	6 VDC	Insert one of the following letters into the box □. R (red) Y (yellow) G (green) A (blue)	A22W-3A□-6D-11
				6 VAC		A22W-3A□-6A-11
				12 VAC/DC		A22W-3A□-12A-11
				24 VAC/DC		A22W-3A□-24A-11
			DPST-NO	6 VDC	A22W-3A□-6D-20	
				6 VAC	A22W-3A□-6A-20	
				12 VAC/DC	A22W-3A□-12A-20	
				24 VAC/DC	A22W-3A□-24A-20	
			DPST-NC	6 VDC	A22W-3A□-6D-02	
				6 VAC	A22W-3A□-6A-02	
				12 VAC/DC	A22W-3A□-12A-02	
				24 VAC/DC	A22W-3A□-24A-02	

## Illuminated (With Transformer)

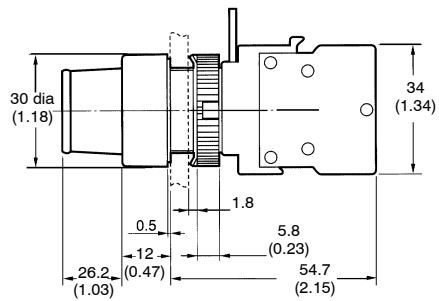
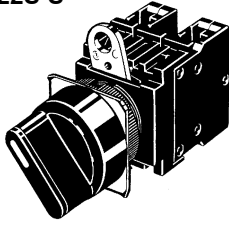
Appearance	Positions	Operating method	Contacts	Rated voltage	Operator color	Part number
Knob-type selector switch LED lighting (with transformer) 	2 positions	Maintained 	SPST-NO	110 VAC	Insert one of the following letters into the box □.  R (red) Y (yellow) G (green) A (blue)	A22W-2M□-T1-10
				220 VAC		A22W-2M□-T2-10
			SPST-NC	110 VAC		A22W-2M□-T1-01
				220 VAC		A22W-2M□-T2-01
			SPST-NO + SPST-NC	110 VAC		A22W-2M□-T1-11
				220 VAC		A22W-2M□-T2-11
		DPST-NO	110 VAC	A22W-2M□-T1-20		
			220 VAC	A22W-2M□-T2-20		
		DPST-NC	110 VAC	A22W-2M□-T1-02		
			220 VAC	A22W-2M□-T2-02		
		Spring return 	SPST-NO	110 VAC		A22W-2A□-T1-10
				220 VAC		A22W-2A□-T2-10
	SPST-NC		110 VAC	A22W-2A□-T1-01		
			220 VAC	A22W-2A□-T2-01		
	SPST-NO + SPST-NC		110 VAC	A22W-2A□-T1-11		
			220 VAC	A22W-2A□-T2-11		
	DPST-NO	110 VAC	A22W-2A□-T1-20			
		220 VAC	A22W-2A□-T2-20			
	DPST-NC	110 VAC	A22W-2A□-T1-02			
		220 VAC	A22W-2A□-T2-02			
	3 positions	Maintained 	SPST-NO + SPST-NC	110 VAC	A22W-3M□-T1-11	
				220 VAC	A22W-3M□-T2-11	
			DPST-NO	110 VAC	A22W-3M□-T1-20	
				220 VAC	A22W-3M□-T2-20	
DPST-NC			110 VAC	A22W-3M□-T1-02		
			220 VAC	A22W-3M□-T2-02		
Spring return 		SPST-NO + SPST-NC	110 VAC	A22W-3A□-T1-11		
			220 VAC	A22W-3A□-T2-11		
		DPST-NO	110 VAC	A22W-3A□-T1-20		
			220 VAC	A22W-3A□-T2-20		
		DPST-NC	110 VAC	A22W-3A□-T1-02		
			220 VAC	A22W-3A□-T2-02		

# Dimensions

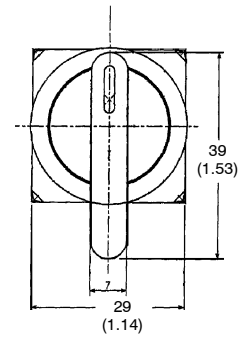
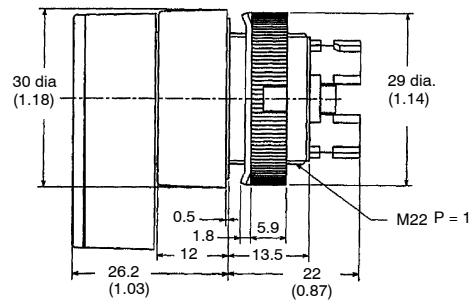
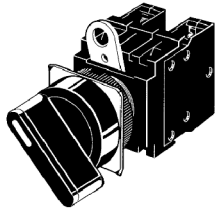
Unit: mm (inch)

## ■ KNOB-TYPE SELECTOR SWITCH (ILLUMINATED/NON-ILLUMINATED)

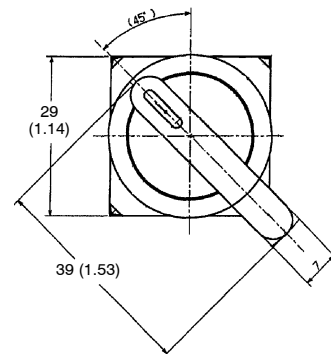
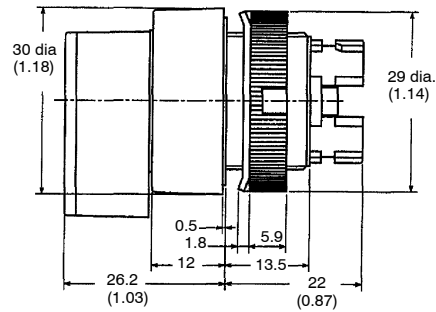
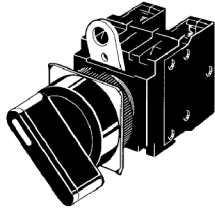
### A22S-S



### A22S-C3

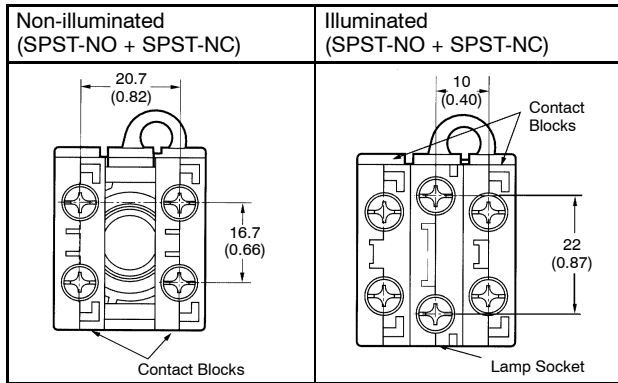


### A22S-C2

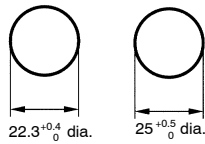


■ TERMINAL ARRANGEMENT

Terminal Arrangement (Bottom View)



■ PANEL CUTOUT DIMENSIONS



Note: When applying a coating such as paint to a panel, the dimensions should be those after the application of the coating.  
A lock fitting is provided as a standard item.

■ CONTACT CONFIGURATION

2-Position Type

Knob position	SPST-NO	SPST-NC	SPST-NO + SPST-NC	DPST-NO	DPST-NC

3-Position Type

Knob position	SPST-NO + SPST-NC	DPST-NO	DPST-NC

Note: For additional specifications and information refer to the *Common to all assemblies* section at the end of this publication.

■ TERMINAL CONNECTION

Type	Connection diagram
Non-illuminated	<p>Bottom view</p>
Illuminated without transformer	<p>Bottom view</p>
Illuminated with transformer	<p>Bottom view</p>

Note: The above terminal connection diagrams are examples for SPST-NO + SPST-NC.



**NOTE: DIMENSIONS SHOWN ARE IN MILLIMETERS. To convert millimeters to inches divide by 25.4.**

---

**OMRON**<sup>®</sup>  
**OMRON ELECTRONICS LLC**  
One East Commerce Drive  
Schaumburg, IL 60173  
**1-800-55-OMRON**

**OMRON ON-LINE**  
Global - <http://www.omron.com>  
USA - <http://www.omron.com/oei>  
Canada - <http://www.omron.com/oci>

**OMRON CANADA, INC.**  
885 Milner Avenue  
Scarborough, Ontario M1B 5V8  
**416-286-6465**