

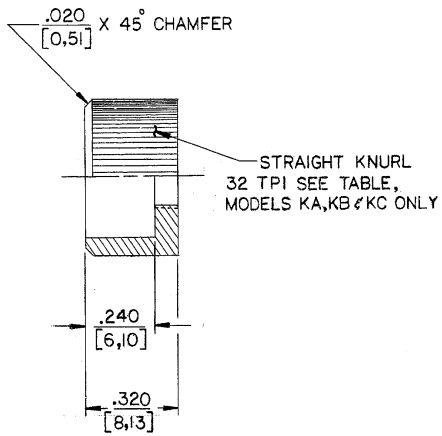
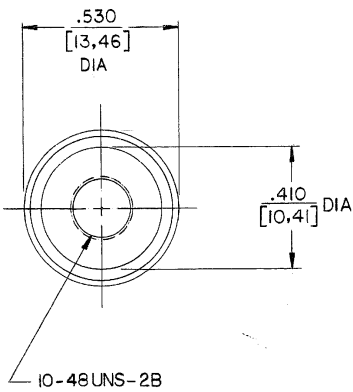
4

3

2

1

REVISIONS			
REV	DESCRIPTION	DATE	APPROVED
1	INITIAL RELEASE	3/27/85	RS



G-11-KC	CHROME	KNURLED
G-11-KB	BLACK	KNURLED
G-11-KA	NATURAL ALUM	KNURLED
G-11-C	CHROME	PLAIN
G-11-B	BLACK	PLAIN
G-11-A	NATURAL ALUM	PLAIN
MODEL N°	COLOR	FINISH

INCH
[MM]

INSPECT PER ALCO QAS 100	
SYMBOL	A.Q.L.
<input type="checkbox"/>	CRITICAL
<input type="checkbox"/>	MAJOR
<input type="checkbox"/>	MINOR
<input type="checkbox"/>	NONE

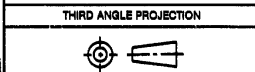
UNLESS OTHERWISE SPECIFIED
DIMENSIONS ARE IN INCHES
TOLERANCES ON:
DECIMALS ± .010 / [0,25]
3 PLACES ± .001 / [0,025]
FRACTIONS ± .005 / [0,127]

SIGNATURES	DATE
DRAWN <i>E.R.</i>	3/14/85
CHECKED <i>RS</i>	3/27/85
ENGRG <i>RS</i>	3/27/85
ISSUED	

AUGAT ALCO SWITCH
Quality and Innovation

**ALUMINUM GUARDS
(G-11 SERIES)**

SIZE C	FSCM NO.	DWG. NO. 80619	REV. 1
SCALE 4/1	SHEET 1 OF 1		



DISTRIBUTION									
1	2	3	4	5	6	7	8	9	10

4

3

2

1