

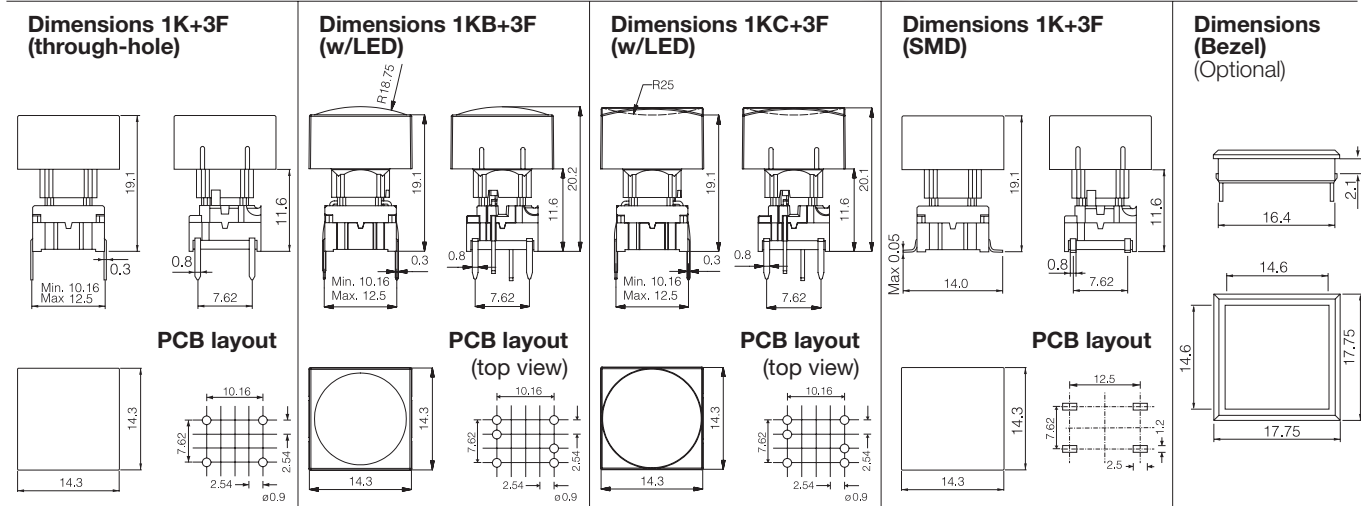
multimec® 3F/4F + 1K/1KB/1KC

Technical Data

- through-hole or SMD
- 50mA/24VDC
- single pole/momentary
- 10.000.000 operations life time
- IP67 sealing
- temperature range:
 - low temp: -40/+115°C
 - high temp: -40/+160°C



Keycaps shown on this page can also be used on **illumec™ switch 4F**



How to order

3 F	<input type="checkbox"/>	<input type="checkbox"/>	+	<input type="checkbox"/>	<input type="checkbox"/>	+	<input type="checkbox"/>
Switch	Mounting	L 6 low temp.		1 K	1 6		2 K
	T through-hole	H 9 high temp.		Cap	00 blue		Bezel
	S surface mount				02 green		
					03 grey		03 grey
					04 yellow		06 white
					06 white		08 red
					08 red		09 black
					09 black		

3 F	<input type="checkbox"/>	<input type="checkbox"/>	+	<input type="checkbox"/>	<input type="checkbox"/>	+	<input type="checkbox"/>
Switch	T	L 6 low temp.		1 1 1 6	2 K		
	T through-hole	H 9 high temp.		Cap frosted white	03 grey		
	S surface mount				06 white		
				1K	08 red		
					09 black		
				1KB			
				1KC			

The 1K caps consist of a transparent lid and a diffuser lens. It is possible to make your own customized legend by placing a foil between the lid and the lens.

Ordering example: 3FTL689 + 1K1116

For updates of products and/or changes of specifications please see www.mec.dk