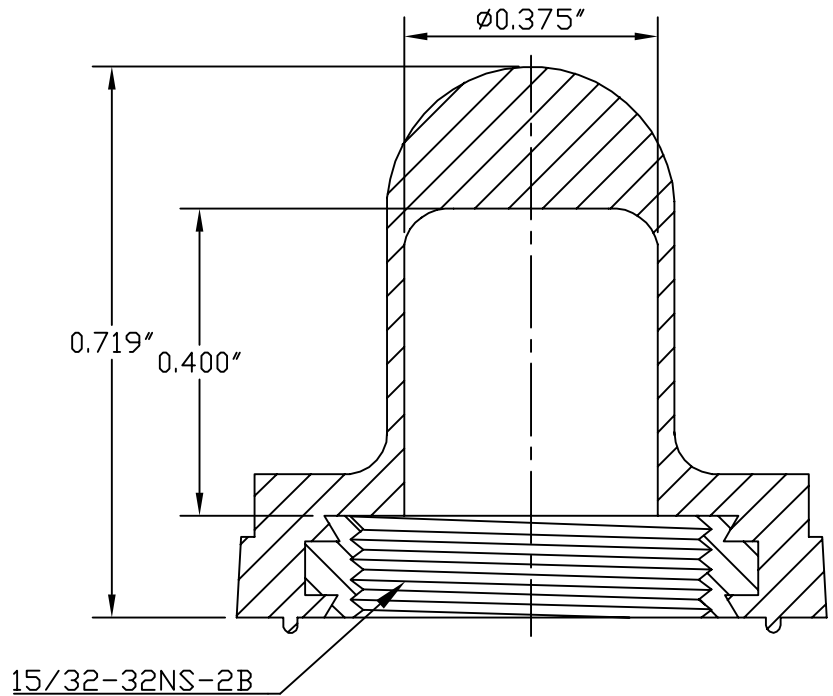
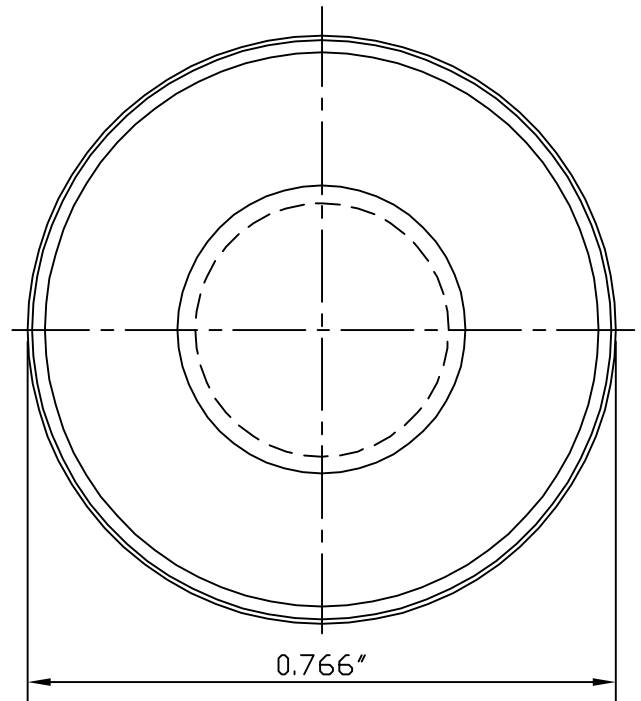


SPECIFICATIONS

Material: HEXSEALS: Silicone rubber conforms to A-A-59588 Class III, GR 60 (unless otherwise specified)
Mounting Nut: HEXSEALS: Brass, nickel-plated
Temperature Range: HEXSEALS: -94°F to +400°F
Pressure Range: Exceeds 15 psi internal and 1500 psi external. (N5032B: 10 psi)
Operational Life: 50,000 actuations (minimum).
Shelf Life: Excess of 25 years.
Resistant to: Salt spray, sunlight, ozone, weather, fungus, and most acids and lubricating oils
Agency Recognition: E-SEELS and HEXSEALS are UL-listed to UL Std. 50 types 1-13, and meet CSA standards.
Installation: If a reducing adaptor is required - see page 14 of HEXSEAL catalog HEX200 for part numbers and drawing.



B	MAT'L CHANGED	S. GOK	09.08.09
A	CAD COMPUTER GENERATED		09.23.02
REV.	DESCRIPTION		DATE
<small>MAXIMUM AND MINIMUM MEASUREMENTS ARE STATED DIRECTLY ON EACH DIMENSION.</small> MAT'L: Silicone Rubber PER A-A-59588 Gr.60 FINISH: GRAY	TITLE: BOOT PLUNGER (1221/15) APM-HEXSEAL CORPORATION	ENG. CARBONE	05.13.69
		DWN. NICK	05.13.69
		CHKD. J. CELLA	09.08.09
	SCALE 3:1	DWG. NO. (1221/15) E-SEEL®	

THIS DRAWING COVERS PROPRIETARY ITEM AND IS THE PROPERTY OF THE APM-HEXSEAL CORPORATION.
 THIS DRAWING IS NOT TO BE COPIED OR USED WITHOUT THE WRITTEN APPROVAL OF AN OFFICER OF THE APM-HEXSEAL CORPORATION.