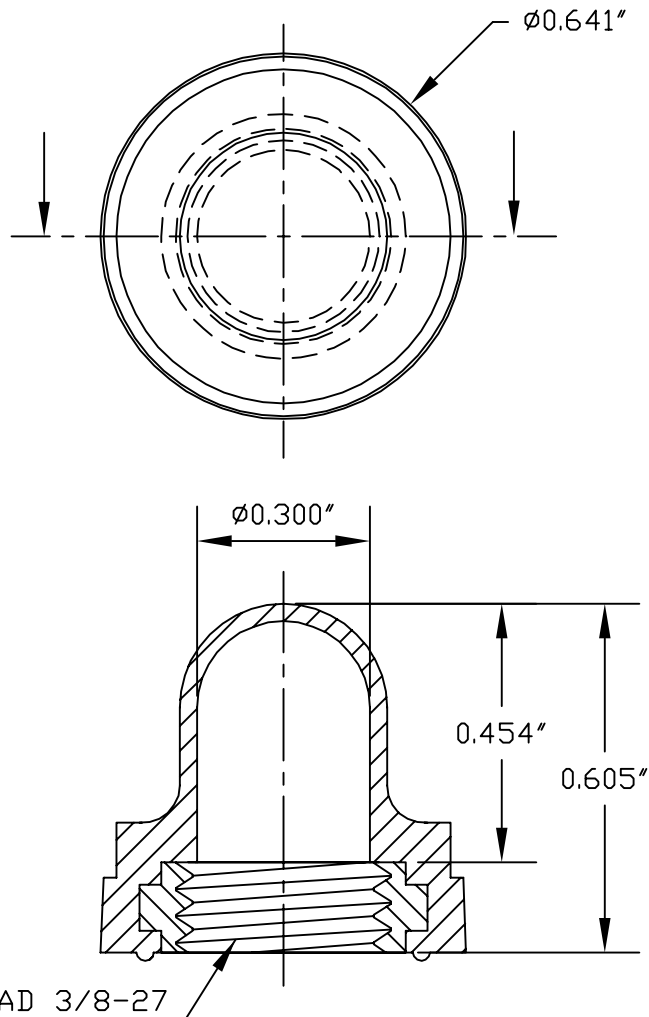


SPECIFICATIONS

Material: E-SEELS -- Silicone rubber polymer type ASTM D 1418
Mounting Nut: E-SEELS: ALUMINUM INSERT
Temperature Range: E-SEELS: -80°F to +400°F
Pressure Range: Exceeds 15 psi internal and 1500 psi external.
Operational Life: 50,000 actuations (minimum).
Shelf Life: Excess of 25 years.
Resistant to: Salt spray, sunlight, ozone, weather, fungus, and most acids and lubricating oils
Agency Recognition: E-SEELS and HEXSEALS are UL-listed to UL Std. 50 types 1-13, and meet CSA standards.
Installation: If a reducing adaptor is required - see page 14 of HEXSEAL catalog HEX200 for part numbers and drawing.



B	ADDED OUTSIDE DIMENSION- $\phi 0.641''$			11.09.09
A	CAD COMPUTER GENERATED			06.26.08
REV.		DESCRIPTION		DATE
		PUSHBUTTON (C1221/25)	ENG. S. GOK	06.26.08
			DWN. S. GOK	06.26.08
			CHKD. J. CELLA	06.26.08
			SCALE 3:1	
			DWG. NO. (C1221/25)	
				E-SEEL®
		APM-HEXSEAL CORPORATION		

THIS DRAWING COVERS PROPRIETARY ITEM AND IS THE PROPERTY OF THE APM-HEXSEAL CORPORATION.
 THIS DRAWING IS NOT TO BE COPIED OR USED WITHOUT THE WRITTEN APPROVAL OF AN OFFICER OF THE APM-HEXSEAL CORPORATION.