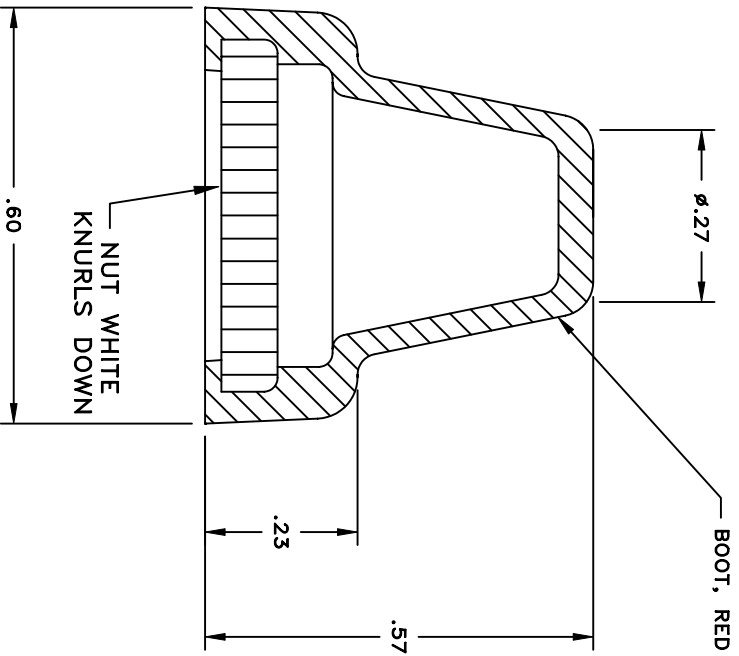
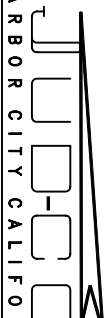


LTR	EN	DESCRIPTION	APPR	BY	DATE
A	-	INITIAL RELEASE	RB	NH	11-10-03



JUDCO INVENTORY NO.19-1103-00
 DESCRIPTION: J-961 BOOT, RED KRATON,
 WITH NUT

CUSTOMER NAME: DIGI-KEY
 APPROVED BY: _____
 DATE: _____

DIMENSIONS IN INCHES DIMENSIONS ARE REFERENCE			
DRAWN: NH	11-10-03	TITLE	J 961 BOOT RED, KRATON
APPR: KJ	11-10-03	DWG. NO.	1415-505
1415US05A.DWG		SHEET	1 OF 1

This document embodies a product, component, and/or design proprietary to JUDCO MANUFACTURING INC., and which is protected either as a trade secret, by U.S. Patent, or by copyright. It may not be used in any way without written express consent of JUDCO MANUFACTURING INC.