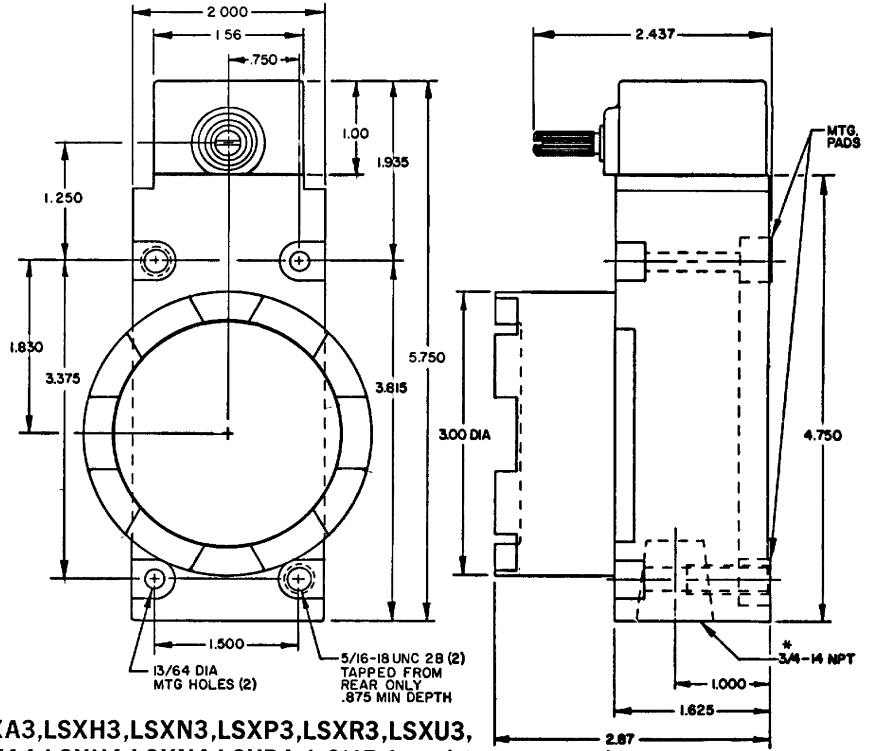
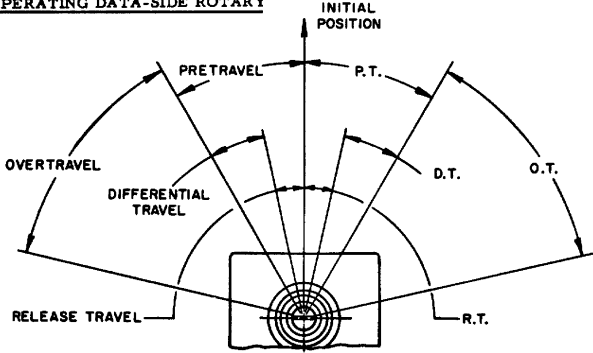


# SIDE ROTARY

NOTE  
1 - EXPLOSION PROOF-UNDERWRITERS LAB INC. LISTED FOR HAZARDOUS LOCATIONS CLASS I, GROUPS B,C, AND D; CLASS II GROUPS E,F AND G

OPERATING DATA-SIDE ROTARY



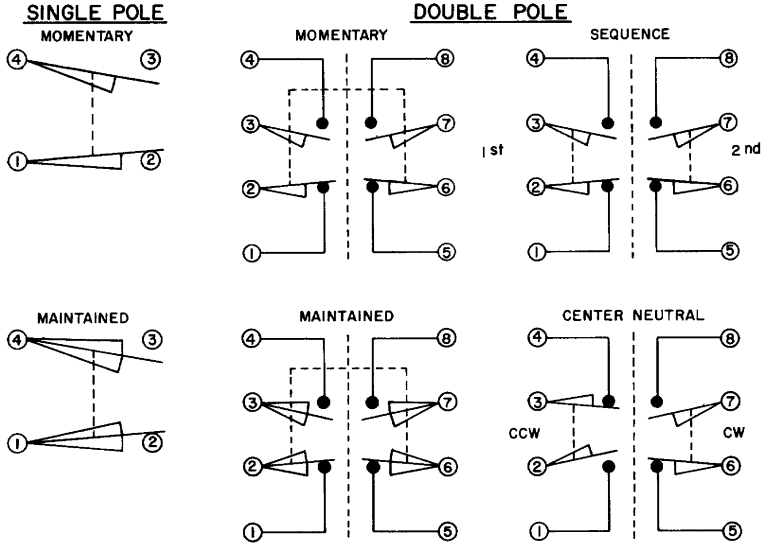
TYPE LSXA3,LSXH3,LSXN3,LSXP3,LSXR3,LSXU3, LSXA4,LSXH4,LSXN4,LSXP4,LSXR4 and LSXM4 and LSXU4  
\*(LSXA3,LSXH3,LSXN3 LSXP3,LSXR3 and LSXU3 HAVE 1/2-14 NPT CONDUIT OPENINGS)

ELECTRICAL RATINGS  
10 AMP CONT.

A. C. VOLTAGE	AMPS AT .35 POWER FACTOR			
	SINGLE POLE		DOUBLE POLE	
	MAKE	BREAK	MAKE	BREAK
120	60	6	30	3
240	30	3	15	1.5
480	15	1.5	7.5	.75
600	12	1.2	6	.6

D. C. VOLTAGE	MAKE & BREAK INDUCTIVE	RESISTIVE
120	0.25	0.80
240	0.15	0.40

WIRING BASIC SWITCH (SAME POLARITY MUST BE OBSERVED)



OPERATING CHARACTERISTICS	LSXA MOMENTARY		LSXR MOMENTARY LOW TORQUE		LSXN MAINTAINED	LSXP MOMENTARY LOW PRETRAVEL AND DIFF. TRAVEL		LSXH MOMENTARY LOW PRETRAVEL AND LOW TORQUE		LSXL SEQUENCE DOUBLE POLE ONLY	LSXM CENTRAL NEUTRAL DOUBLE POLE ONLY	LSXU LOW PRETRAVEL	
	Single Pole 5°	Double Pole 7°	Single Pole 5°	Double Pole 7°		Single Pole 3°	Double Pole 4°	Single Pole 3°	Double Pole 4°	1st Step 15° 2nd Step 10° Additional		Single Pole 5°	Double Pole 4°
PRETRAVEL (MAX)	15°		15°		65°	9°		9°			18°	70°	
OVERTRAVEL (MIN)	60°		60°		20°	68°		68°		48°	57°	75°	
DIFFERENTIAL TRAVEL (MAX)					40°					5°	10°		
TOTAL TRAVEL (REF)	75°		75°		90°	75°		75°		75°	75°	75°	
OPERATING TORQUE (MAX)	4 IN. LBS		1.7 IN. LBS		4 IN. LBS	4 IN. LBS		1.7 IN. LBS		4 IN. -LBS	4 IN. - LBS.	4 IN. LBS	
FULL TRAVEL TORQUE (MAX)	4 IN. LBS		1.7 IN. LBS		—	4 IN. LBS		1.7 IN. LBS		4 IN. -LBS	4 IN. - LBS	4 IN. LBS	

Micro Switch  
a Honeywell Division  
FPO JFC CODE 9192

SWITCH - ENCLOSED

LSX SERIES CHART 1

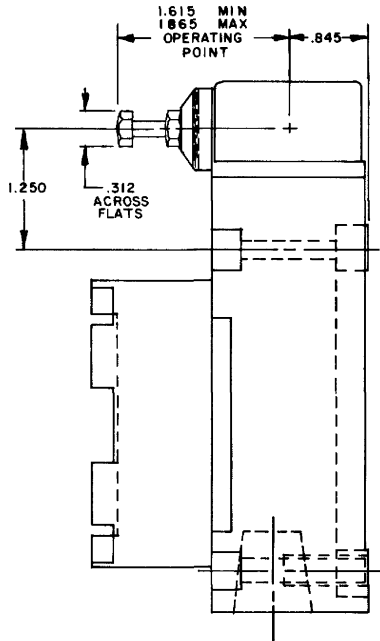
LSX SERIES CHART 1 PAGE 1 OF 3

CATALOG LISTING  
PAGE 1 OF 3  
UNLESS OTHERWISE SPECIFIED  
DIMENSIONS ARE  
IN INCHES  
TOLERANCES ARE  
FRACTIONAL  
DECIMAL  
HONEYWELL  
1000 1.000  
1000 1.000  
1000 1.000

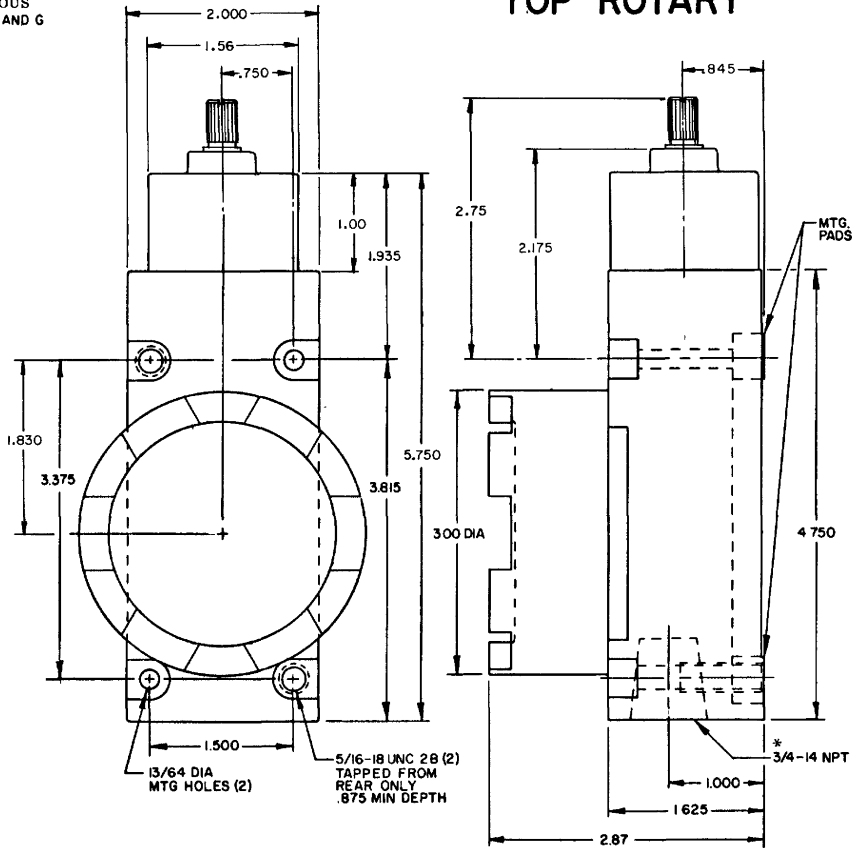
NOTE  
1 - EXPLOSION PROOF-UNDERWRITERS LAB INC. LISTED FOR HAZARDOUS LOCATIONS CLASS I, GROUPS B,C, AND D; CLASS II GROUPS E,F AND G

TOP ROTARY

	SINGLE POLE	DOUBLE POLE
PRETRAVEL MAX	35°	35°
OVERTRAVEL MIN	100°	100°
DIFFERENTIAL TRAVEL MAX	8°	12°
OPERATING TORQUE MAX	2.5 IN. LBS.	2.5 IN. LBS.
TOTAL TRAVEL (REF)	135°	135°

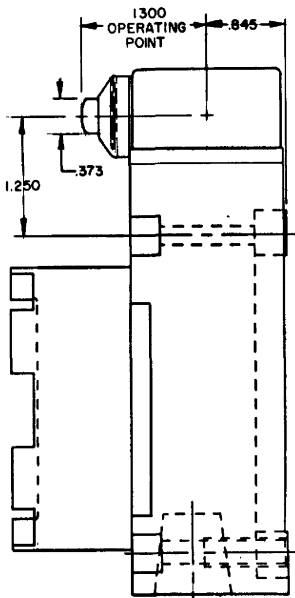


TYPE LSXW3 and LSXW4

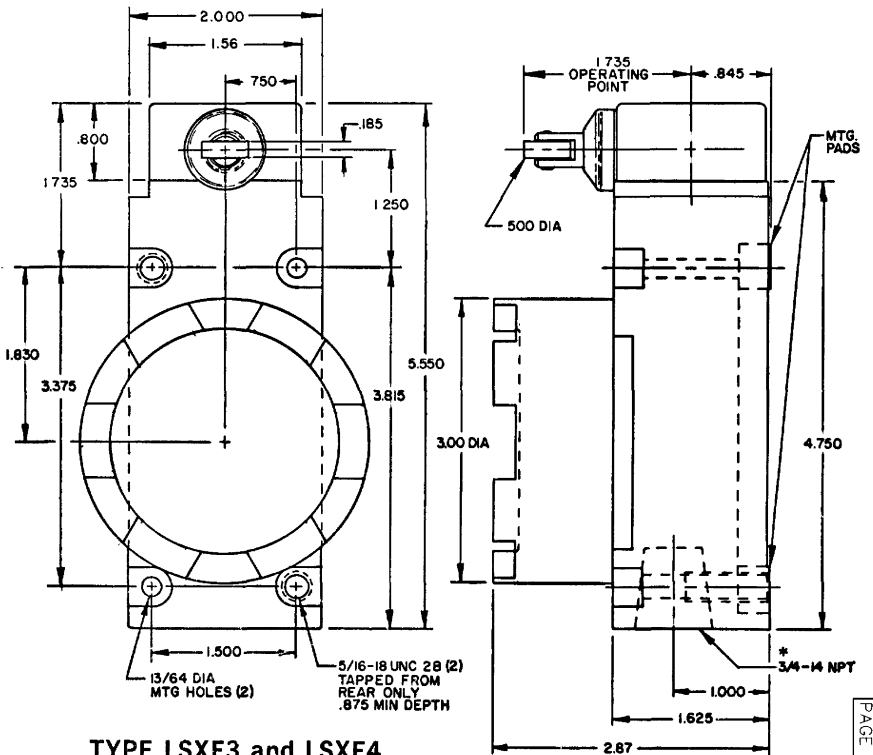


TYPE LSXB3 and LSXB4 \*(LSXB3 HAS A 1/2-14 NPT CONDUIT OPENING)

SIDE PLUNGER TYPE



TYPE LSXE3 and LSXE4



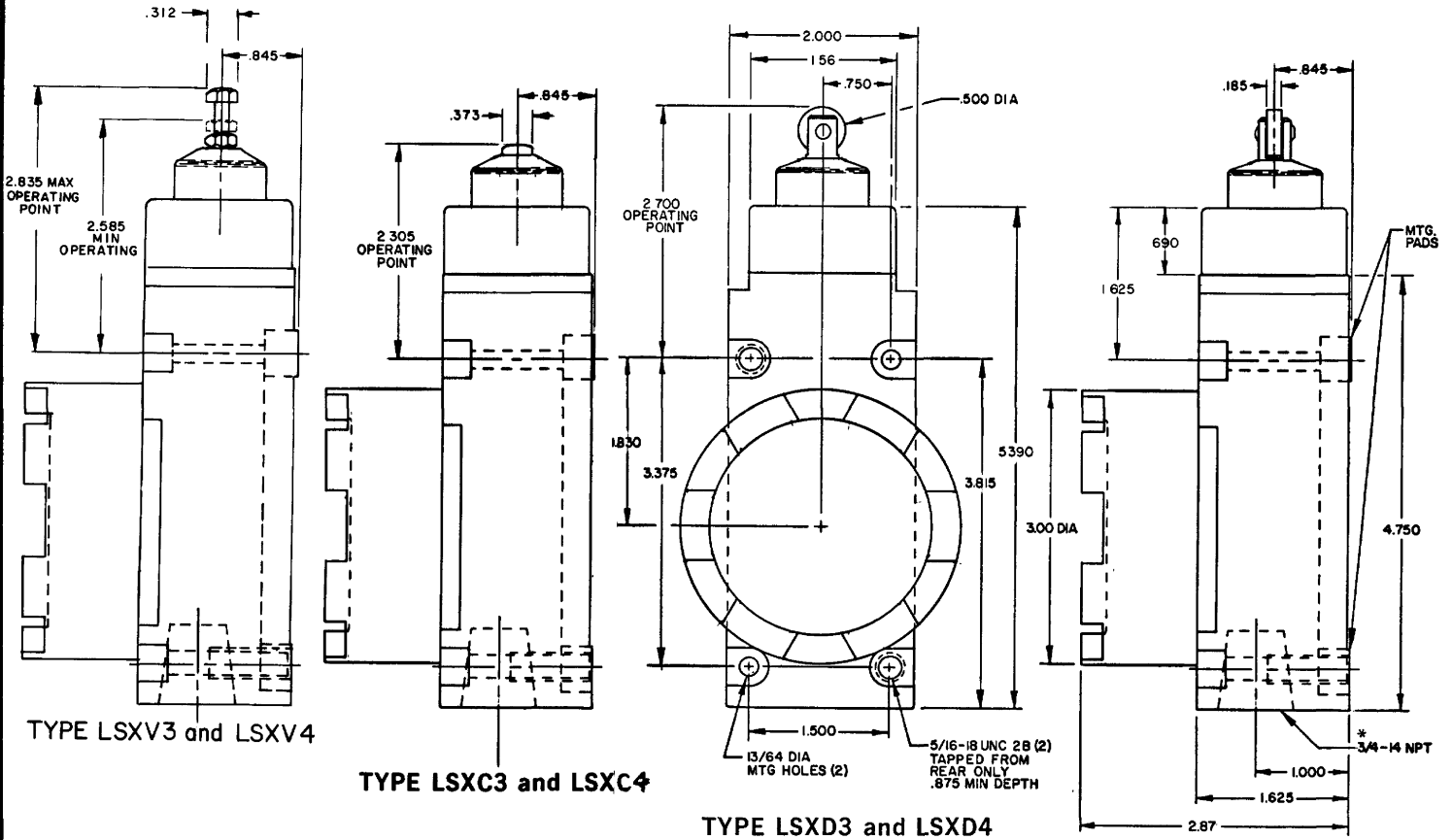
TYPE LSXF3 and LSXF4

\*(LSXE3 and LSXF3 HAVE 1/2-14 NPT CONDUIT OPENINGS)

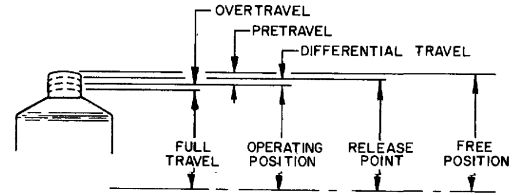
MACRO SWITCH  
a Honeywell Division  
THIS DRAWING COVERS A PROPRIETARY ITEM AND IS THE PROPERTY OF UNDERWRITERS LABORATORY, INC. ANY REPRODUCTION OF THIS DRAWING WITHOUT THE APPROVAL OF UNDERWRITERS LABORATORY, INC. IS PROHIBITED.  
CATALOG LISTING  
PAGE 2 OF 3  
LSX SERIES  
CHART 1

DESIGN UNIT	SCALE	THIRD ANGLE PROJECTION
DATE	DO NOT SCALE PRINT	
BY		
CHECKED		
APPROVED		
WEIGHT		

# PLUNGER TYPE TOP



\*(LSXC3 and LSXD3 HAVE 1/2-14 NPT CONDUIT OPENINGS)



OPERATING POINT GIVEN IN RELATION TO TOP MOUNTING HOLES

### TOP PLUNGER TYPES

CHARACTERISTICS	LSXC PLUNGER		LSXD ROLLER PLUNGER		LSXV ADJUSTABLE PLUNGER		SEQUENCE BASIC
	SINGLE POLE	DOUBLE POLE	SINGLE POLE	DOUBLE POLE	SINGLE POLE	DOUBLE POLE	LSXC   LSXD   LSXV
PRETRAVEL (MAX)	.070		.070		.070		1ST STEP .070
DIFFERENTIAL TRAVEL (MAX)	.015	.020	.015	.020			2ND STEP .016 MIN ADD'L
OVERTRAVEL (MIN)	.190		.190		.190		.015 EACH STEP
OPERATING FORCE (MAX)	4 LBS		4 LBS		4 LBS		4 LBS
OPERATING POINT	2.305 ± .030		2.700 ± .040		2.585 MIN 2.835 MAX		1ST STEP
FULL OVERTRAVEL FORCE (MAX)	7 LBS		7 LBS		7 LBS		1.815±.030   2.210±.040   2.095 MIN / 2.345 MAX

OPERATING POINT GIVEN IN RELATION TO CENTER OF HEAD

### SIDE PLUNGER TYPES

CHARACTERISTICS	LSXE PLUNGER	LSXF ROLLER PLUNGER	LSXW ADJUSTABLE PLUNGER	SEQUENCE BASIC		
				LSXE	LSXF	LSXW
PRETRAVEL (MAX)	.100	.100	.100	1ST STEP .100		
DIFFERENTIAL TRAVEL (MAX)	.045	.045	.045	2ND STEP .020 MIN ADD'L		
OVERTRAVEL (MIN)	.190	.190	.190	.025 EACH STEP		
OPERATING FORCE (MAX)	6 LBS	6 LBS	6 LBS	6 LBS		
OPERATING POINT	1.300 ± .030	1.735 ± .040	1.615 MIN 1.865 MAX	1ST STEP		
FULL OVERTRAVEL FORCE (MAX)	6 LBS	6 LBS	6 LBS	1.310±.030   1.745±.040   1.625 MIN / 1.875 MAX		

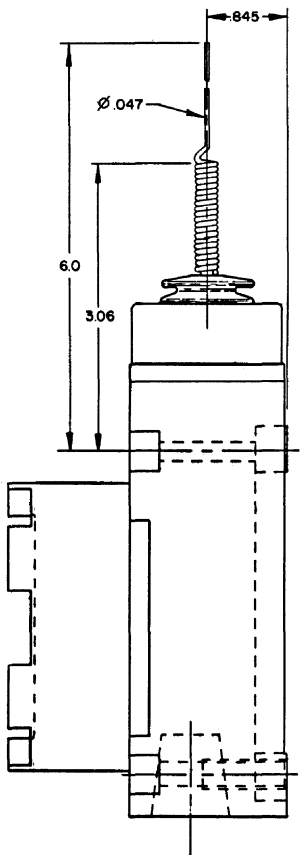
NOTE  
 1 - EXPLOSION PROOF-UNDERWRITERS LAB INC. LISTED FOR HAZARDOUS LOCATIONS CLASS I, GROUPS B,C, AND D; CLASS II GROUPS E,F AND G

MICRO SWITCH  
 a Honeywell Division  
 FID. NO. CODE 91828

SWITCH - ENCLOSED  
 PAGE 3 OF 3

LSX SERIES  
 CHART 1

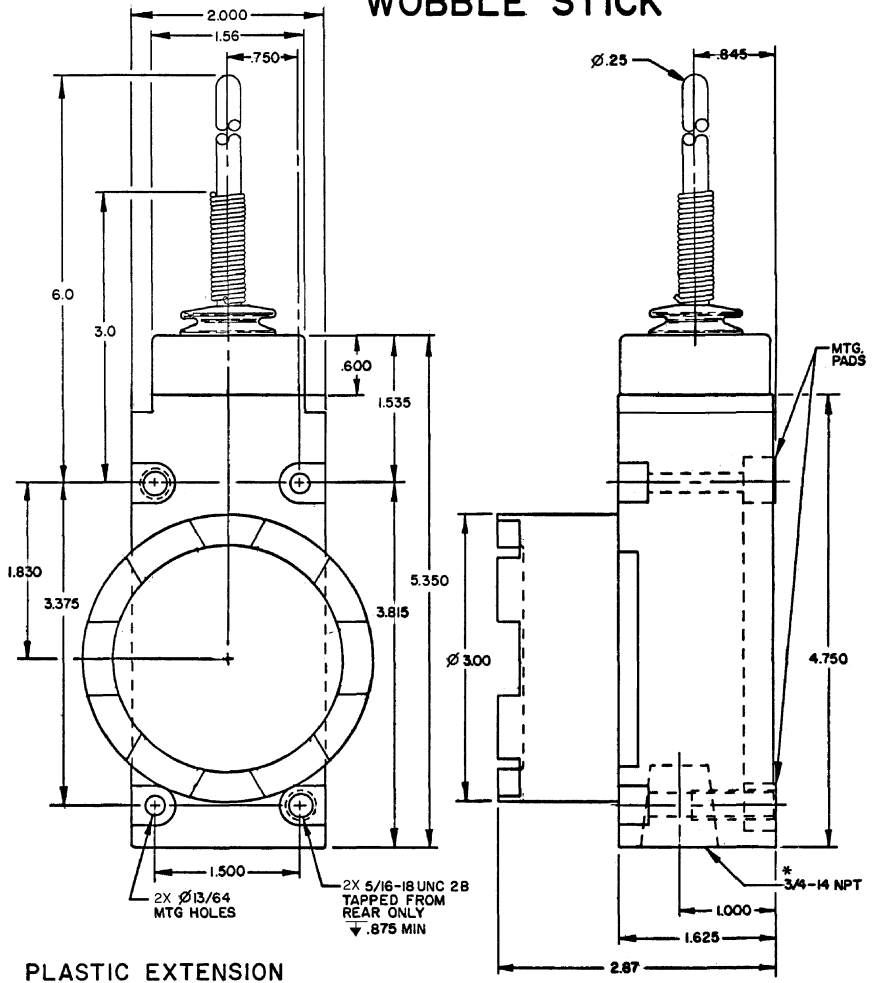
**CAT WHISKER**



**WIRE EXTENSION  
TYPE 8A ACTUATOR**

**TYPE LSXK3 and LSXK4  
(LSXK3 HAS 1/2-14 NPT CONDUIT OPENING)  
REPLACEMENT ACTUATOR  
LSXZ-4012**

**WOBBLE STICK**



**PLASTIC EXTENSION  
TYPE 7A ACTUATOR**

**TYPE LSXJ3 and LSXJ4  
(LSXJ3 HAS 1/2-14 NPT CONDUIT OPENING)**

**REPLACEMENT ACTUATOR  
LSZ-4009**

NOTE  
1 - EXPLOSION PROOF-UNDERWRITERS LAB INC. LISTED FOR HAZARDOUS LOCATIONS CLASS I, GROUPS B,C, AND D; CLASS II GROUPS E,F AND G

	CAT WHISKER	WOBBLE STICK
PRETRAVEL (APPROX) IN. RADIUS	6" WIRE 2	ROD 1.0
OPERATING FORCE - OZ (MAX)	5.0	10.0

MASTER REDUCED

**MICRO SWITCH**  
a Honeywell Division  
FED. RES. CODE 51899

**SWITCH - ENCLOSED**

**LSX SERIES CHART 1**  
CATALOG LISTING

THIRD ANGLE PROJECTION  
SCALE NONE  
DO NOT SCALE PRINT  
UNLESS OTHERWISE SPECIFIED TOLERANCES ARE  
ONE PLACE (0) ±0.30  
TWO PLACES (00) ±0.15  
THREE PLACES (000) ±0.05  
WEIGHT ±