



MICRO SWITCH

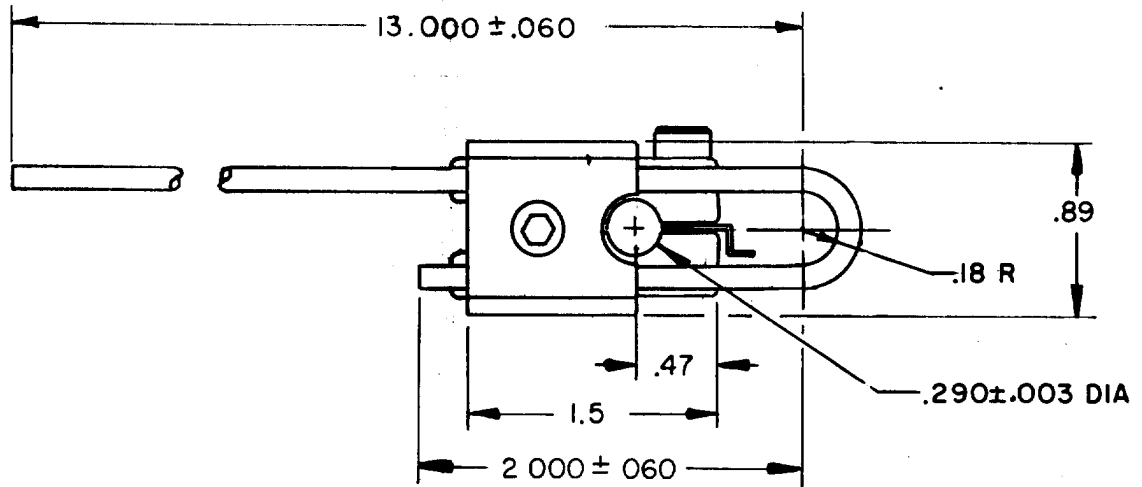
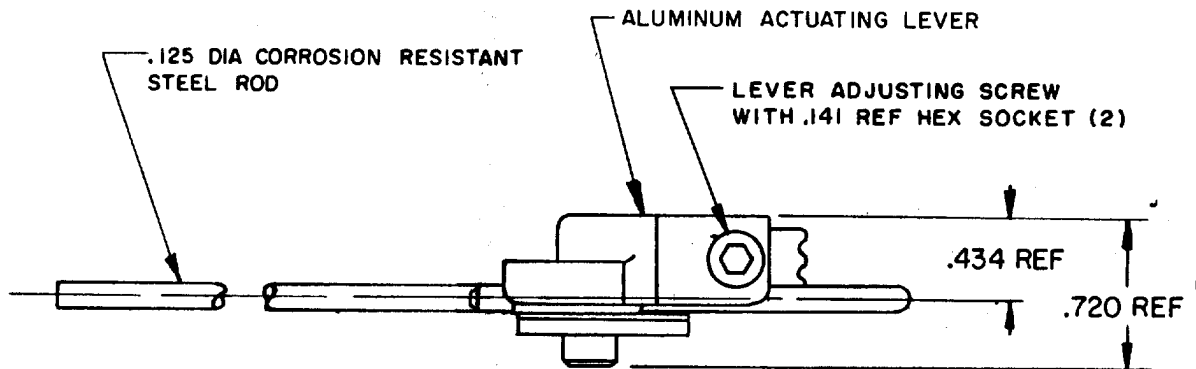
FREERPORT, ILLINOIS, U.S.A.
A DIVISION OF HONEYWELL

FED. MFG. CODE 91829

PACKET

CATALOG LISTING

6PA63



NOTE -
1 - PARTS FURNISHED ASSEMBLED

THIS DRAWING COVERS A PROPRIETARY ITEM AND IS THE PROPERTY OF MICRO SWITCH, A DIVISION OF MINNEAPOLIS-HONEYWELL REGULATOR CO. THIS DRAWING IS NOT TO BE COPIED OR USED WITHOUT THE APPROVAL OF MICRO SWITCH.

CHARACTERISTICS

ELECTRICAL DATA

SCALE FULL

DO NOT SCALE PRINT

UNLESS OTHERWISE NOTED

DIMENSIONS ARE IN INCHES

TOLERANCES ARE:

| | | |
|-------------|--------|-------|
| ONE PLACE | (.0) | ±.030 |
| TWO PLACE | (.00) | ±.015 |
| THREE PLACE | (.000) | ±.005 |
| ANGLES | | ± |

WEIGHT

6PA63

M

DRAWING NUMBER

38

ISSUE 7

REPLACES

RELEASE NO.

CHECK

REVISIONS

| | |
|------|-----------|
| A | CO18785 |
| 0 MW | 7 FEB 64 |
| B | CO48294 |
| TSM | 2 SEPT 80 |
| C | CO60129 |
| TSK | 6 JUL 88 |

CHECK

11 FEB 64

DAW

CHECK

7 FEB 64

CHECK

7 FEB 64

DRAWN

0 MW

FO-50378