

# MICRO SWITCH

A DIVISION OF MINNEAPOLIS-HONEYWELL REGULATOR COMPANY  
 FREEPORT, ILLINOIS  
 FED. MFR. CODE 91929

# PACKET

CATALOG LISTING

★ 3PA1

S

3PA1

M

DRAWING NUMBER

ISSUE 7

REVISIONS

|   |           |          |           |
|---|-----------|----------|-----------|
| A | C.O. 8520 | K. A. F. | 8 MAY 57  |
| B | CO17271   | G. C. H. | 14 MAY 57 |
| C | CO54735   | T. S. K. | 25 NOV 85 |
| D | CO73014   | G. J. W. | 29 JUL 92 |

CHECK 13 MAY 57

CHECK 10 JUL 57

CHECK 8 MAY 57

DRAWN

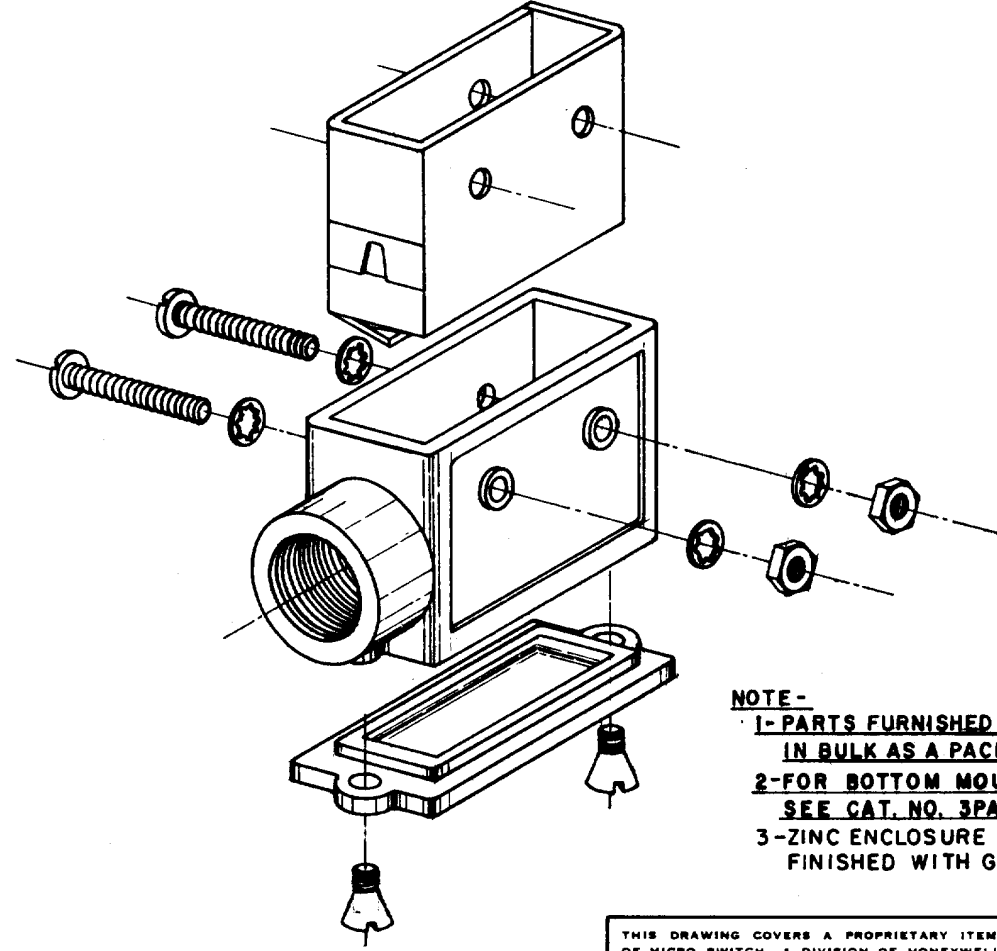
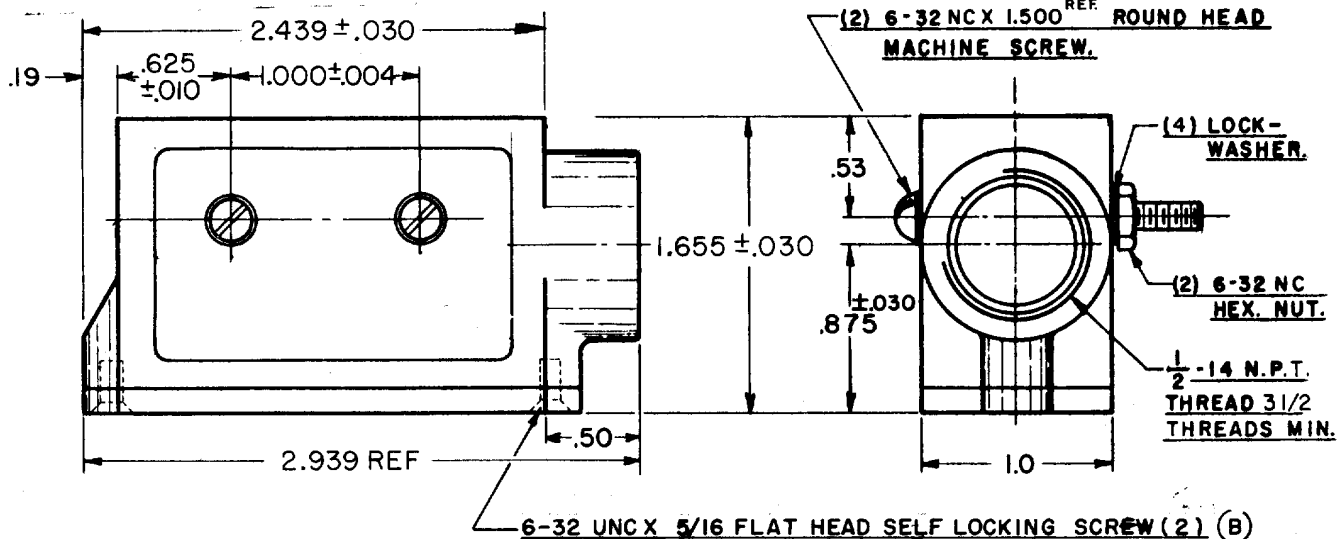
K. A. F.

FO-80378

(M) 3PA1

REPLACES ISSUE 3

RELEASE NO.



**NOTE -**  
 1- PARTS FURNISHED UNASSEMBLED  
 IN BULK AS A PACKET  
 2- FOR BOTTOM MOUNTING UNIT  
 SEE CAT. NO. 3PA2.  
 3- ZINC ENCLOSURE  
 FINISHED WITH GRAY PAINT

THIS DRAWING COVERS A PROPRIETARY ITEM AND IS THE PROPERTY OF MICRO SWITCH, A DIVISION OF HONEYWELL. THIS DRAWING IS NOT TO BE COPIED OR USED WITHOUT THE APPROVAL OF MICRO SWITCH.

| CHARACTERISTICS | ELECTRICAL DATA     | SCALE - FULL  |
|-----------------|---------------------|---|
|                 | CONTACT ARRANGEMENT | DO NOT SCALE PRINT                                  |
|                 |                     | UNLESS OTHERWISE SPECIFIED DIMENSIONS ARE IN INCHES |
|                 |                     | TOLERANCES ARE:                                     |
|                 |                     | ONE PLACE (.0) ±.030                                |
|                 |                     | TWO PLACE (.00) ±.015                               |
|                 |                     | THREE PLACE (.000) ±.005                            |
|                 |                     | ANGLES ±  |
|                 |                     | WEIGHT  |