

# MICRO SWITCH

A DIVISION OF MINNEAPOLIS-HONEYWELL REGULATOR COMPANY  
 FREEPORT, ILLINOIS  
 FED. MFR. CODE 91929

## ACTUATOR - SWITCH

CATALOG LISTING

JV - 7

(M) JV-7  
 ISSUE 3

REPLACES

RELEASE NO.

JV - 7

M

DRAWING NUMBER

ISSUE 6

6

CHECK

REVISIONS

A CO13739  
 KLB  
 9 JUNE 59  
 B CO17473  
 D W V  
 7 MAR 63  
 C CO34626  
 R E R  
 6 FEB 75

CHECK

RAW

CHECK

RAW

CHECK

RAW

CHECK

RAW

CHECK

RAW

CHECK

RAW

CHECK

RAW

CHECK

RAW

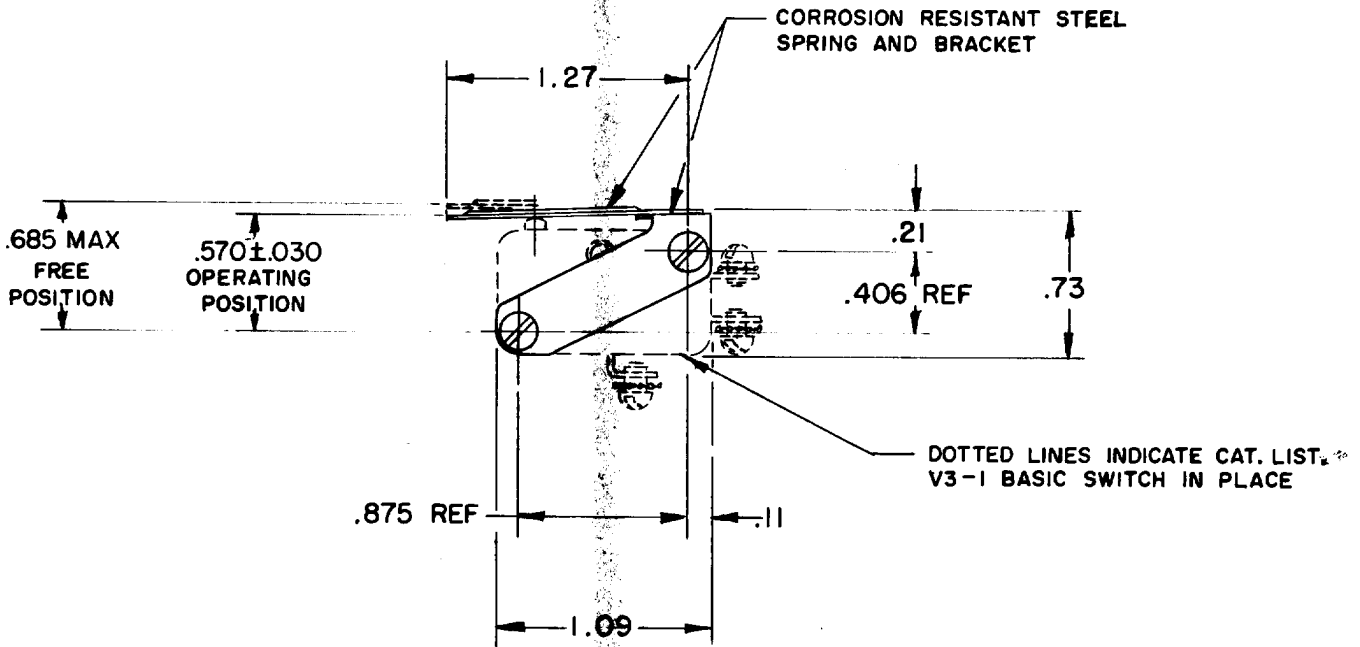
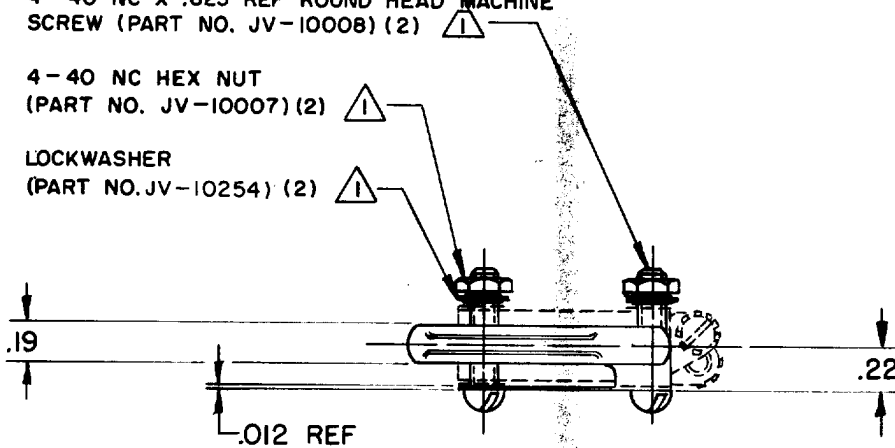
CHECK

RAW

4 - 40 NC X .625 REF ROUND HEAD MACHINE SCREW (PART NO. JV-10008) (2)

4 - 40 NC HEX NUT (PART NO. JV-10007) (2)

LOCKWASHER (PART NO. JV-10254) (2)



NOTE -  
 (1) - FURNISHED UNASSEMBLED

THIS DRAWING COVERS A PROPRIETARY ITEM AND IS THE PROPERTY OF MICRO SWITCH, A DIVISION OF MINNEAPOLIS-HONEYWELL REGULATOR CO. THIS DRAWING IS NOT TO BE COPIED OR USED WITHOUT THE APPROVAL OF MICRO SWITCH.

CHARACTERISTICS WITH V3-1 BASIC SWITCH INSTALLED	ELECTRICAL DATA	SCALE FULL
OPERATING FORCE ----- 15 OZ MAX	CONTACT ARRANGEMENT	DO NOT SCALE PRINT
RELEASE FORCE ----- 6 OZ MIN		UNLESS OTHERWISE SPECIFIED
PRETRAVEL ----- .062 MAX		DIMENSIONS ARE IN INCHES
DIFFERENTIAL TRAVEL ----- .025 MAX		<b>TOLERANCES ARE:</b>
OVERTRAVEL ----- .050 MIN		ONE PLACE (.0) ±.030
		TWO PLACE (.00) ±.015
		THREE PLACE (.000) ±.005
		ANGLES ±
		WEIGHT

FO-50378

DRAWN

KLB 9 JUNE 59