

MICRO SWITCH

A DIVISION OF MILWAUKEE-HONEYWELL REGULATOR COMPANY
FREDPORT, ILLINOIS

FED. MFR. CODE 91929

ACTUATOR - SWITCH

(M) AD372IR
ISSUE 1

AD372IR

M

DRAWING NUMBER

28

ISSUE 5

REPLACES

RELEASE NO.

29 MAR. 56

C.N.T.

CHECK

28 MAR. 56

M B F
26 AUG 66

C044130

S J S
25 APR 78

C079303

DAW
7 MAR 95

CHECK

30 MAR. 56

CHECK

13 DEC. 55

CHECK

74-96

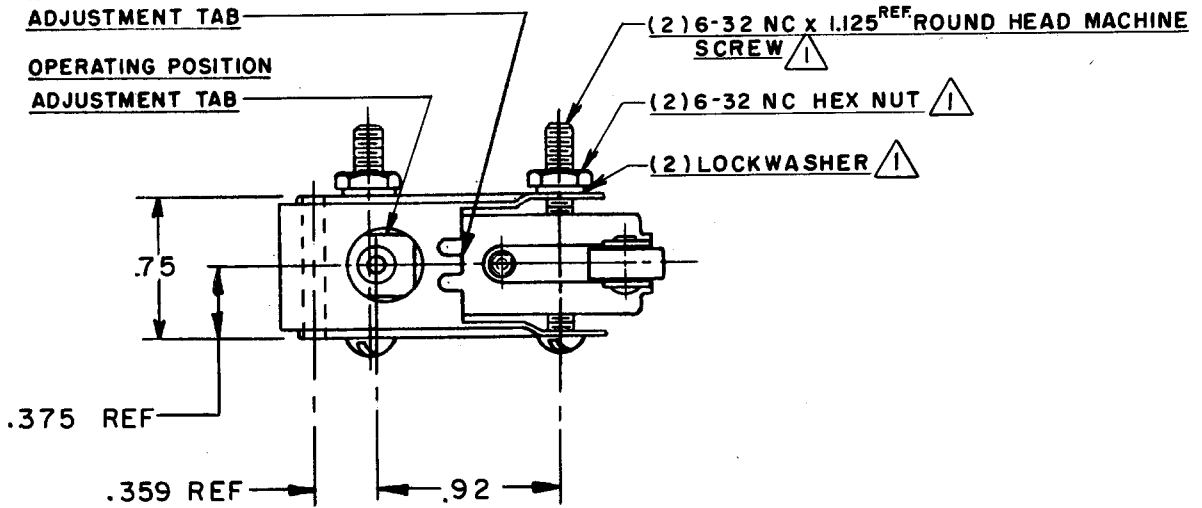
R. L. Z.

FREE POSITION

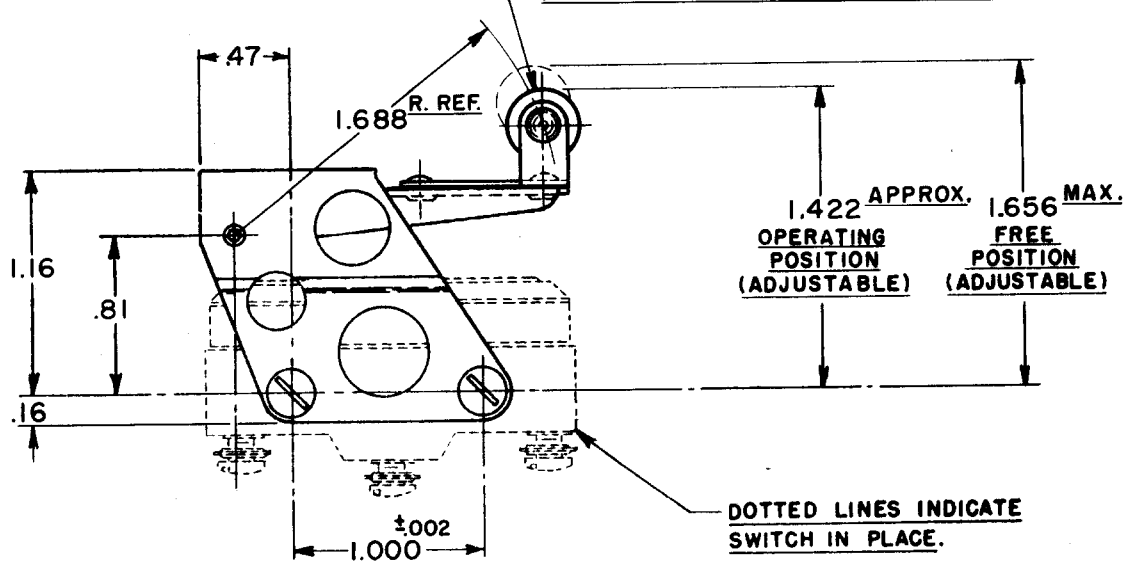
ADJUSTMENT TAB

OPERATING POSITION

ADJUSTMENT TAB



.38 DIA. x .16 WIDE HARDENED STEEL ROLLER.



NOTE

SCREWS, NUTS, AND LOCKWASHERS FURNISHED UNASSEMBLED.

THIS DRAWING COVERS A PROPRIETARY ITEM AND IS THE PROPERTY OF MICRO SWITCH, A DIVISION OF HONEYWELL. THIS DRAWING IS NOT TO BE COPIED OR USED WITHOUT THE APPROVAL OF MICRO SWITCH.

CHARACTERISTICS

OVERTRAVEL ----- .375 APPROX.

ELECTRICAL DATA

CONTACT ARRANGEMENT

BREAK DISTANCE

SCALE FULL

DO NOT SCALE PRINT

UNLESS OTHERWISE SPECIFIED DIMENSIONS ARE IN INCHES
TOLERANCES ARE:

ONE PLACE (.0) ±.030
TWO PLACE (.00) ±.015
THREE PLACE (.000) ±.008
ANGLES ±

WEIGHT

DRAWN