

# MICRO SWITCH

A DIVISION OF MINNEAPOLIS-HONEYWELL REGULATOR COMPANY  
FREDERICK, MARYLAND

FED. MFR. CODE 91929

# ACTUATOR-SWITCH

CATALOG LISTING

## MC 2711

ARMY - NAVY PART NO.  
AN 3168-2

(M) MC2711

REPLACES ISSUE #3

MC2711

M

DRAWING NUMBER

M15

ISSUE

RELEASE NO.

CHECK

REVISIONS

A	COM4866
	L S D
	12 AUG 60
B	CO
	79303
	SAD
	4 MAR 95

CHECK

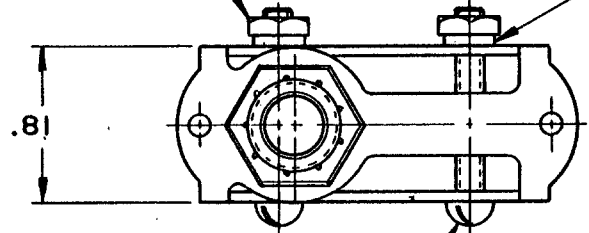
DAW 16, Ave 60

CHECK

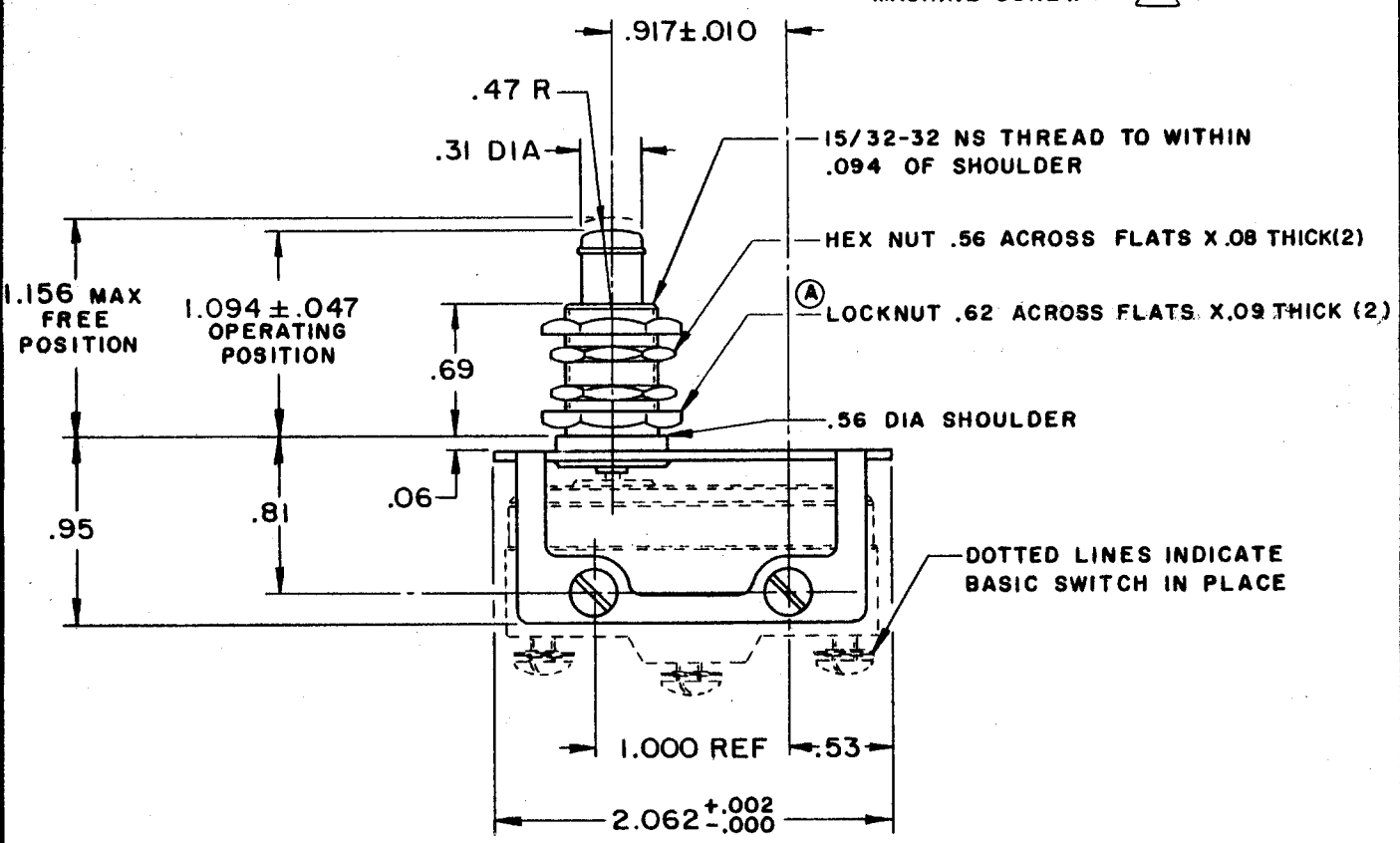
DRAWN L S D 12 AUG 60

6-32 NC HEX NUT (2)  $\triangle$

LOCKWASHER (2)  $\triangle$



6-32 NC X 1.000 REF ROUND HEAD MACHINE SCREW (2)  $\triangle$



NOTE -

$\triangle$  - FURNISHED UNASSEMBLED

2 - ACTUATOR WILL PERFORM SATISFACTORILY IN TEMPERATURES TO MINUS 65° F

THIS DRAWING COVERS A PROPRIETARY ITEM AND IS THE PROPERTY OF MICRO SWITCH, A DIVISION OF MINNEAPOLIS-HONEYWELL REGULATOR CO. THIS DRAWING IS NOT TO BE COPIED OR USED WITHOUT THE APPROVAL OF MICRO SWITCH.

CHARACTERISTICS	WITH 82-R31 BASIC SWITCH INSTALLED
OPERATING FORCE-----	22-34 OZ
FORCE AT FULL TRAVEL----	4 LB MAX
RELEASE FORCE-----	4 OZ MIN
PRETRAVEL-----	.035 MAX
DIFFERENTIAL TRAVEL-----	.006 MAX
OVERTRAVEL-----	.188 MIN

ELECTRICAL DATA

CONTACT ARRANGEMENT	BREAK DISTANCE

SCALE FULL
DO NOT SCALE PRINT
UNLESS OTHERWISE SPECIFIED DIMENSIONS ARE IN INCHES
<b>TOLERANCES ARE:</b>
ONE PLACE (.0) ±.030
TWO PLACE (.00) ±.015
THREE PLACE (.000) ±.005
ANGLES ±
WEIGHT .15 LB

FO-50378