

# MICRO SWITCH

A DIVISION OF MINNEAPOLIS-HONEYWELL REGULATOR COMPANY  
 FREEPORT, ILLINOIS  
 FED. MFR. CODE 91929

## ACTUATOR - SWITCH

CATALOG LISTING

JT-5

5

(M) JT-5  
 ISSUE 1

M JT-5

DRAWING NUMBER

ISSUE

6

ISSUE

6

REPLACES

RELEASE NO.

11 MAY 56

CHECK

C.M.T.

11 MAY 56

CHECK

B.S.S.

10 MAY 56

CHECK

R.E.R.

7 MAY 56

CHECK

K.F.M.

29 AUG 56

CHECK

C.O.

11500

CHECK

G.C.H.

17 MAY 56

CHECK

G.C.H.

17 MAY 56

CHECK

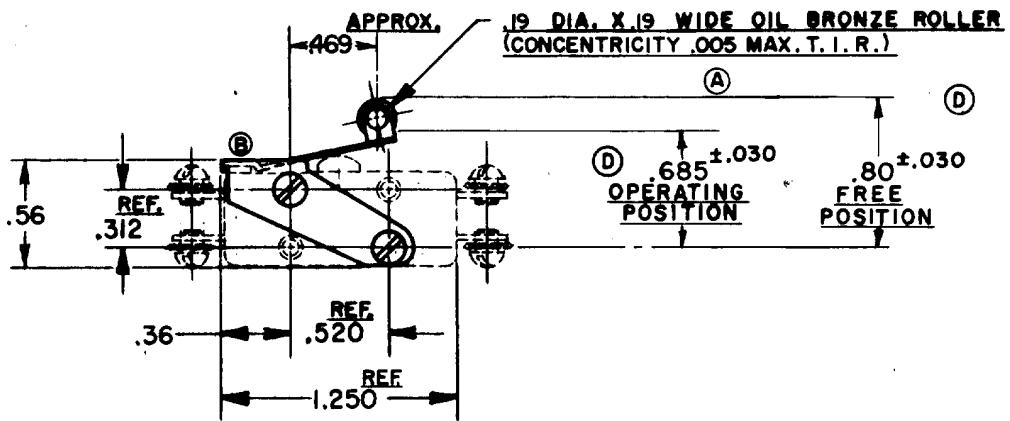
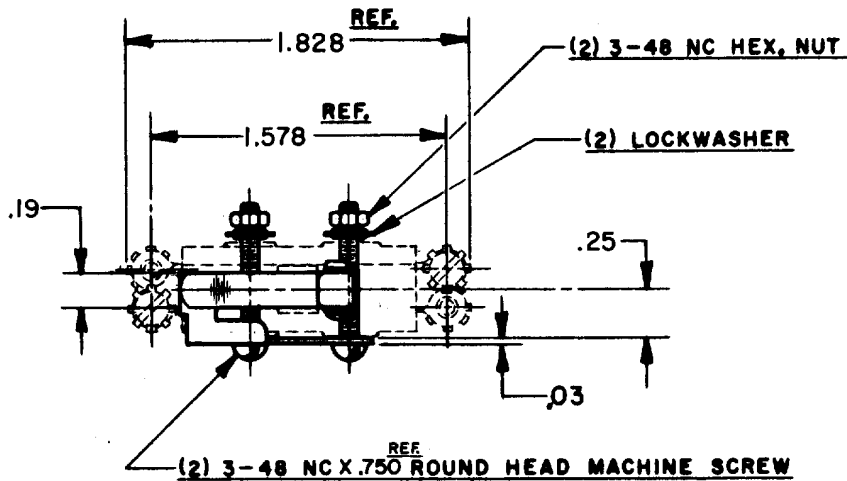
R.E.R.

7 MAY 56

CHECK

R.E.R.

7 MAY 56



**NOTE-**  
 1- SCREWS, NUTS, AND LOCKWASHERS FURNISHED UNASSEMBLED.

THIS DRAWING COVERS A PROPRIETARY ITEM AND IS THE PROPERTY OF MICRO SWITCH, A DIVISION OF HONEYWELL. THIS DRAWING IS NOT TO BE COPIED OR USED WITHOUT THE APPROVAL OF MICRO SWITCH.

### CHARACTERISTICS WITH ITBI-1 BASIC SWITCH INSTALLED

OPERATING FORCE ----- 16 OZ. MAX.  
 RELEASE FORCE ----- 2 OZ. MIN.  
 DIFFERENTIAL TRAVEL ----- .062 MAX.  
 OVERTRAVEL ----- .025 MIN.

(D)

### ELECTRICAL DATA

CONTACT ARRANGEMENT

BREAK DISTANCE

SCALE FULL

DO NOT SCALE PRINT

UNLESS OTHERWISE SPECIFIED  
 DIMENSIONS ARE IN INCHES  
**TOLERANCES ARE:**

ONE PLACE (.0) ± .030  
 TWO PLACE (.00) ± .015  
 THREE PLACE (.000) ± .005  
 ANGLES ±

WEIGHT