

MICRO SWITCH

A DIVISION OF MINNEAPOLIS-HONEYWELL REGULATORS COMPANY
MINNEAPOLIS, MINNESOTA

FED. MFR. CODE 91929

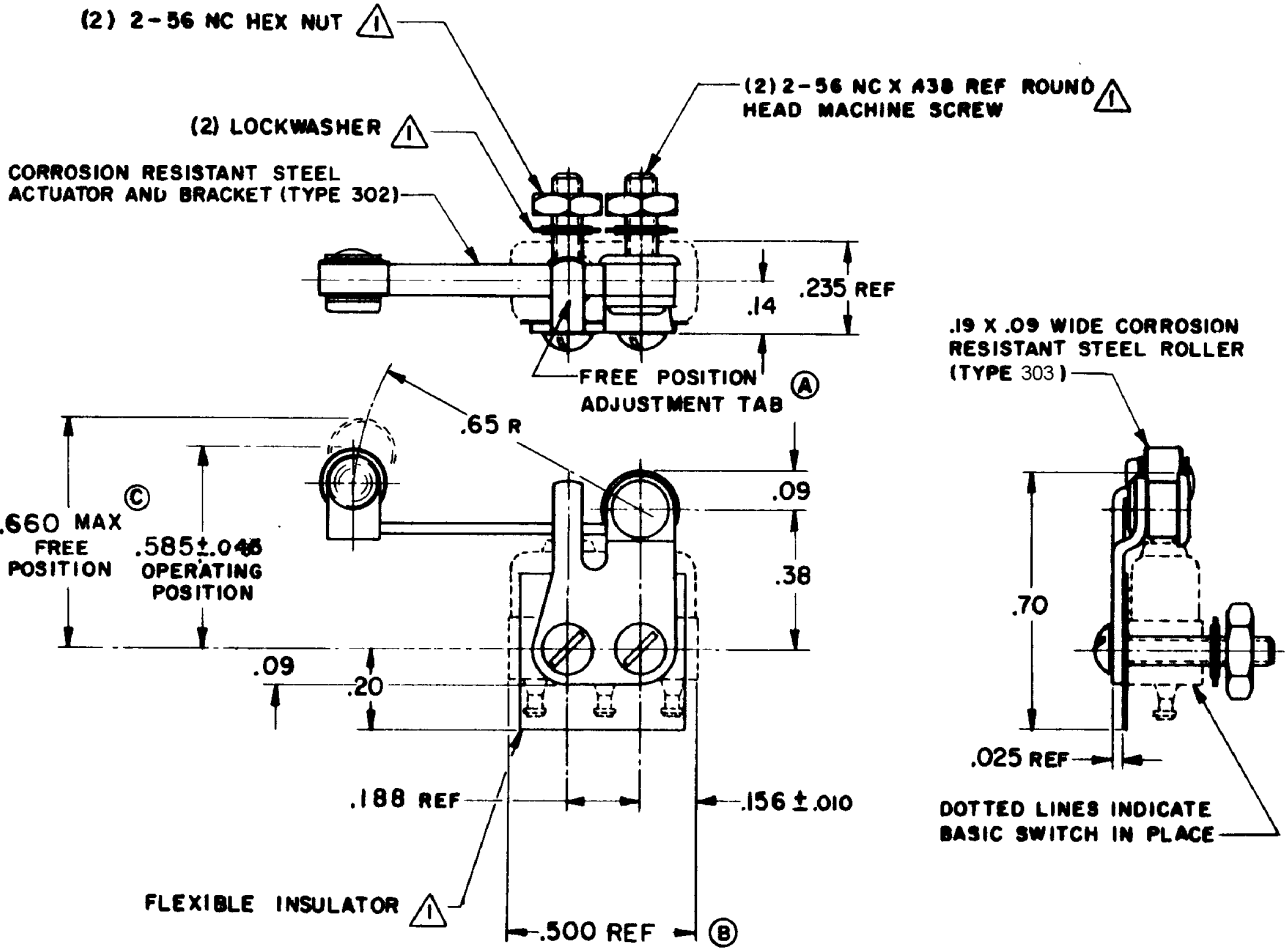
SWITCH - ACTUATOR

CATALOG LISTING

JX-25

S

JX-25
M
 DRAWING NUMBER
 8
 7
 X
 6
 ISSUE
 REVISIONS
 A SR 7916
 L M H
 19 NOV 59
 CO14274
 N B F
 8 DEC 59
 C CO14723
 Y O
 10 JUNE 60
 D CO47771
 CJH
 17 MAY 60
 E CO74163
 DHD
 22 APR 65
 F 0015428
 SPK
 14 SEP 05
 R. E. R. 22 SEPT 58
 CHECK CCH 24 NOV 58
 CHECK GCH 24 NOV 58
 CHECK 14SEP05
 DRAWN
 FO-20378



NOTE -
 \triangle - FURNISHED UNASSEMBLED.

CHECK RJ 14SEP05

THIS DRAWING COVERS A PROPRIETARY ITEM AND IS THE PROPERTY OF MICRO SWITCH, A DIVISION OF MINNEAPOLIS-HONEYWELL REGULATOR CO. THIS DRAWING IS NOT TO BE COPIED OR USED WITHOUT THE APPROVAL OF MICRO SWITCH.

CHARACTERISTICS WITH ISXI-T BASIC SWITCH INSTALLED

OPERATING FORCE ----- 1.5 OZ MAX
 RELEASE FORCE ----- 4 GRAMS MIN
 DIFFERENTIAL TRAVEL ----- .030 MAX
 OVERTRAVEL ----- .020 MIN

ELECTRICAL DATA

CONTACT ARRANGEMENT BREAK DISTANCE

SCALE 2 TO 1

DO NOT SCALE PRINT

UNLESS OTHERWISE SPECIFIED

DIMENSIONS ARE IN INCHES

TOLERANCES ARE:

ONE PLACE (.0) \pm .030
 TWO PLACE (.00) \pm .018
 THREE PLACE (.000) \pm .008
 ANGLES \pm

WEIGHT