

MICRO SWITCH

A DIVISION OF MINNEAPOLIS-HONEYWELL REGULATOR COMPANY
FREDERICK, ILLINOIS

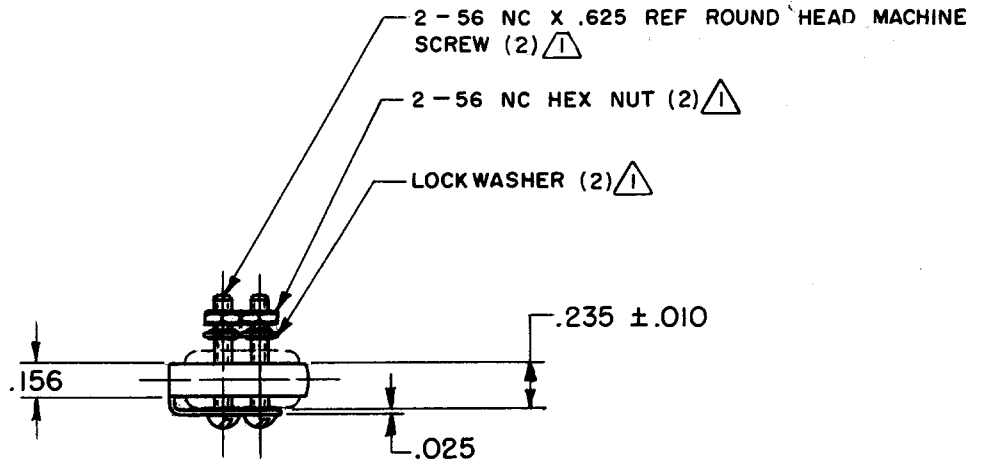
FED. MFR. CODE 91929

ACTUATOR - SWITCH

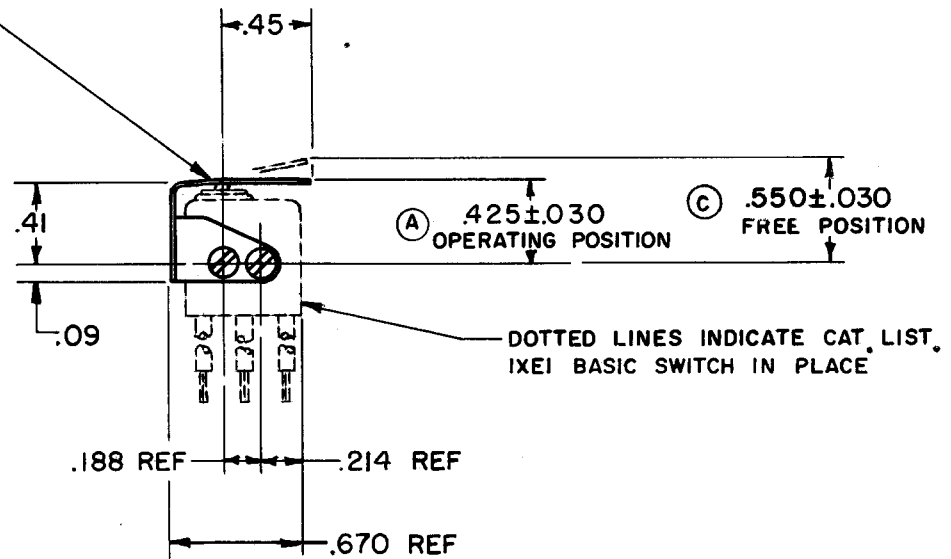
CATALOG LISTING

JM - 1

JM - 1
 DRAWING NUMBER
 ISSUE
 REVISIONS
 A CO15157 M B F 27 SEP 60
 B CO17844 O M W 26 FEB 63
 C CO18559 V D F 17 OCT 63
 D CO47771 C J H 17 MAY 80
 E CO74078 L J F 25 NOV 92
 F CO79303 D L T 6 MAR 95
 CHECK PAW 28 APR 60
 CHECK BLS 4 MAY 60
 CHECK BLS 10 MAY 60
 CHECK GCH 10 MAY 60
 REPLACES SR 8953
 RELEASE NO. SR 8953
 FO-50376



.012 THICK CORROSION RESISTANT STEEL LEAF



NOTE -
 \triangle - FURNISHED UNASSEMBLED

THIS DRAWING COVERS A PROPRIETARY ITEM AND IS THE PROPERTY OF MICRO SWITCH, A DIVISION OF MINNEAPOLIS-HONEYWELL REGULATOR CO. THIS DRAWING IS NOT TO BE COPIED OR USED WITHOUT THE APPROVAL OF MICRO SWITCH.

CHARACTERISTICS WITH IXEI BASIC SWITCH INSTALLED

OPERATING FORCE	----- 21 OZ MAX
RELEASE FORCE	----- (B) 3 OZ MIN
DIFFERENTIAL TRAVEL	----- .012 MAX
OVERTRAVEL	----- .009 MIN

ELECTRICAL DATA

CONTACT ARRANGEMENT	BREAK DISTANCE
---------------------	----------------

SCALE FULL

DO NOT SCALE PRINT

UNLESS OTHERWISE SPECIFIED
 DIMENSIONS ARE IN INCHES

TOLERANCES ARE:

ONE PLACE (.0)	\pm .030
TWO PLACE (.00)	\pm .015
THREE PLACE (.000)	\pm .005
ANGLES	\pm

WEIGHT

(A)