

MICRO SWITCH

A DIVISION OF MINNEAPOLIS-HONEYWELL REGULATOR COMPANY
FREEPORT, ILLINOIS

FED. MFR. CODE 91929

ACTUATOR-SWITCH

CATALOG LISTING



JS-31

5

(M) JS-31
ISSUE 1

REPLACES

JS-31

M

DRAWING
NUMBER

ISSUE

36

RELEASE NO.

CHECK

C.A.T. 1 MAR. 56

CHECK

B.L.S. 1 MAR. 56

CHECK

B.L.S. 1 MAY 59

CHECK

G.C.H. 29 FEB. 56

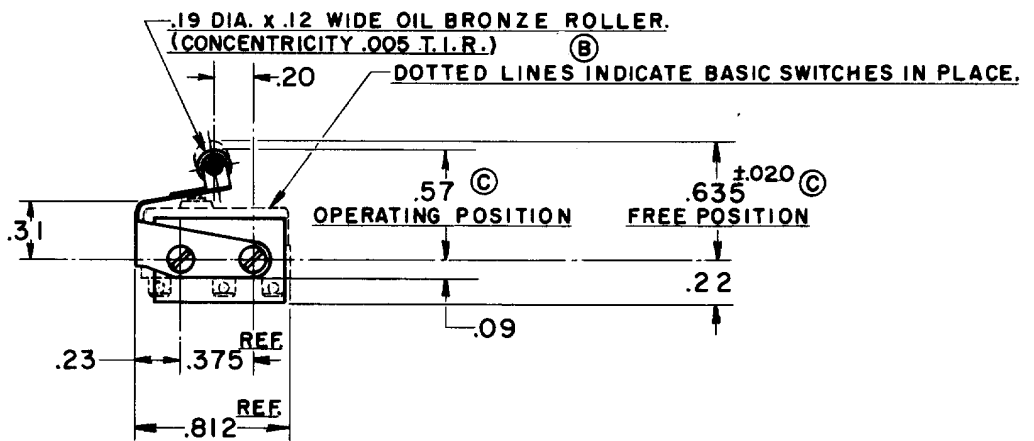
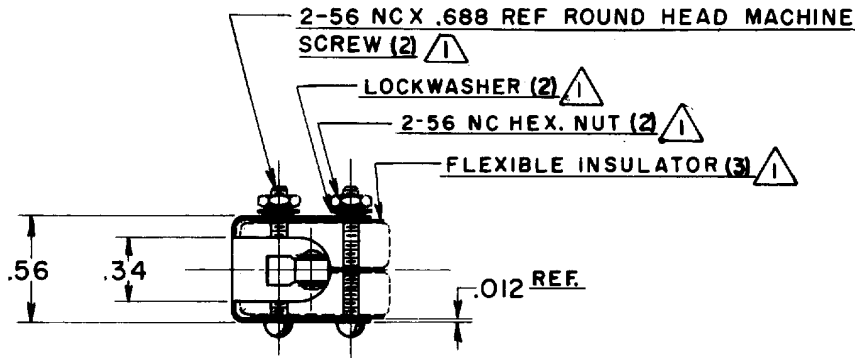
CHECK

G.C.H. 29 FEB. 56

CHECK

R. L. Z. 29 FEB. 56

DRAWN



NOTE -
[ⓐ] FURNISHED UNASSEMBLED

THIS DRAWING COVERS A PROPRIETARY ITEM AND IS THE PROPERTY OF MICRO SWITCH, A DIVISION OF HONEYWELL. THIS DRAWING IS NOT TO BE COPIED OR USED WITHOUT THE APPROVAL OF MICRO SWITCH.

CHARACTERISTICS (WITH (2) ISMI BASIC SWITCHES INSTALLED)

OPERATING FORCE ----- 2 1/2 LBS. MAX.

RELEASE FORCE ----- 1 LB. MIN.

PRETRAVEL ----- .093 MAX.

DIFFERENTIAL TRAVEL ----- .015 MAX.

OVERTRAVEL ----- .005 MIN.

©

ELECTRICAL DATA

CONTACT ARRANGEMENT

BREAK DISTANCE

SCALE FULL

DO NOT SCALE PRINT

UNLESS OTHERWISE SPECIFIED
DIMENSIONS ARE IN INCHES
TOLERANCES ARE:

ONE PLACE	(.0)	±.030
TWO PLACE	(.00)	±.015
THREE PLACE	(.000)	±.008
ANGLES		±

WEIGHT

74-86