

# MICRO SWITCH

A DIVISION OF MINNEAPOLIS-HONEYWELL REGULATOR COMPANY  
 FREEPORT, ILLINOIS

FED MFR CODE 91929

## ACTUATOR-SWITCH

CATALOG LISTING

JE-1

(M) JE-1  
 ISSUE 1

JE-1

M

DRAWING NUMBER

REPLACES

RELEASE NO

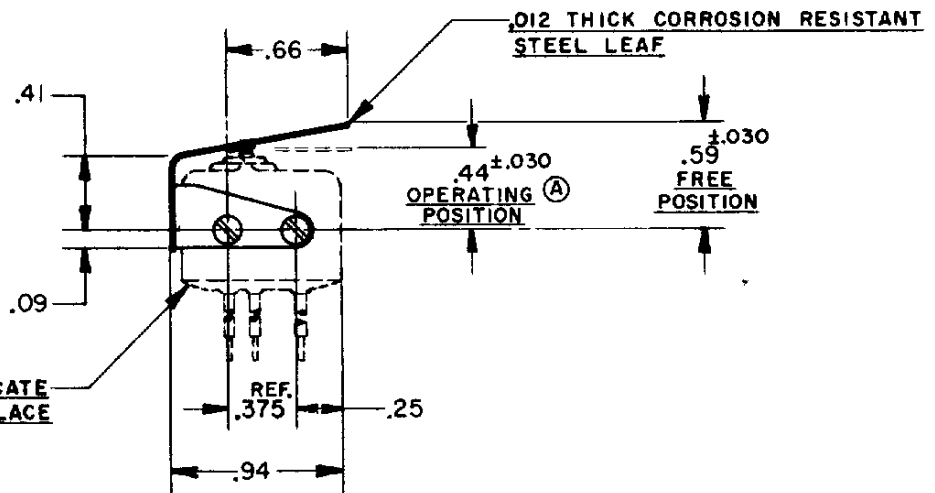
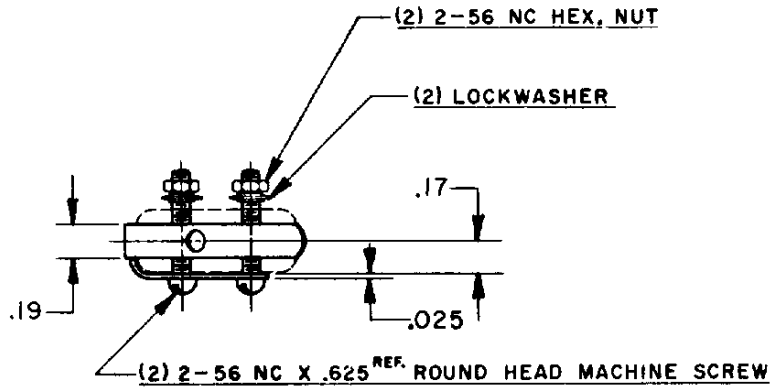
CHECK

REVISIONS

CHECK

DRAWN

REV	DATE	BY	CHKD
A	CO. 9555		
	N.H.L.		
	9 MAY 55		
B	CO47771		
	CJH		
	17 MAY 60		
C	CO74078		
	LJF		
	25 NOV 92		
D	CO79303		
	DLT		
	2 MAR 93		



DOTTED LINES INDICATE BASIC SWITCH IN PLACE

**NOTE-**

1- SCREWS, NUTS, AND LOCKWASHERS FURNISHED UNASSEMBLED.

THIS DRAWING COVERS A PROPRIETARY ITEM AND IS THE PROPERTY OF MICRO SWITCH A DIVISION OF HONEYWELL THIS DRAWING IS NOT TO BE COPIED OR USED WITHOUT THE APPROVAL OF MICRO SWITCH

**CHARACTERISTICS (WITH ISEI) (A)**

OPERATING FORCE	-----12 OZ. MAX.
RELEASE FORCE	-----2 OZ. MIN.
DIFFERENTIAL TRAVEL	-----.025 MAX.
OVERTRAVEL	-----.015 MIN.

**ELECTRICAL DATA**

CONTACT ARRANGEMENT	BREAK DISTANCE
---------------------	----------------

**SCALE - FULL**

DO NOT SCALE PRINT

UNLESS OTHERWISE SPECIFIED  
 DIMENSIONS ARE IN INCHES  
**TOLERANCES ARE:**

ONE PLACE (.0)	± .030
TWO PLACE (.00)	± .015
THREE PLACE (.000)	± .005
ANGLES	±

WEIGHT

74-28