

MICRO SWITCH

A DIVISION OF HONEYWELL INTERNATIONAL COMPANY
MILWAUKEE, WISCONSIN

FED. MFR. CODE 91929

ACTUATOR - SWITCH

CATALOG LISTING

JS-7

(M) JS-7
ISSUE 5

REPLACES

RELEASE NO.

DATE

CHECK

CHECK

CHECK

CHECK

CHECK

CHECK

CHECK

JS-7

M

DRAWING NUMBER

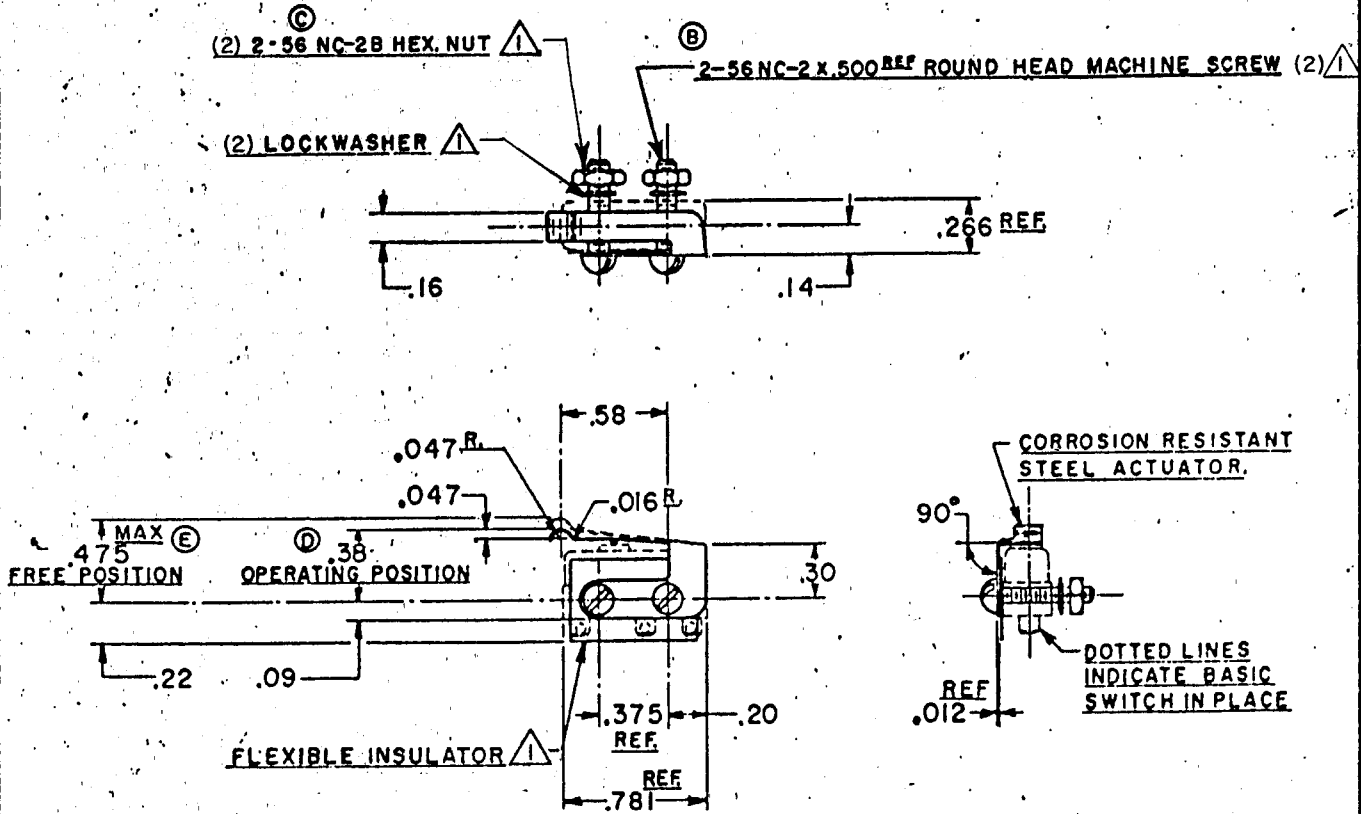
1013

ISSUE

8

REVISIONS

A	CO 9800	R. E. R.	23 FEB. 56
B	CORR.	K. A. F.	13 AUG. 57
C	CORR.	K. A. F.	19 AUG. 57
D	CO 12901	M. B. F.	11 MAY 59
E	CO 17304	M. B. F.	20 JUNE 63
F	CO 38560	J. A. L.	13 JUN 77
G	CO 47771	C. J. H.	17 MAY 80
H	CO 79303	D. L. T.	7 MAR. 85



NOTE:
▲ FURNISHED UNASSEMBLED

THIS DRAWING COVERS A PROPRIETARY ITEM AND IS THE PROPERTY OF MICRO SWITCH, A DIVISION OF HONEYWELL. THIS DRAWING IS NOT TO BE COPIED OR USED WITHOUT THE APPROVAL OF MICRO SWITCH.

CHARACTERISTICS WITH ISMI BASIC SWITCH INSTALLED

OPERATING FORCE	-----	10 OZ. MAX.
RELEASE FORCE	-----	2 OZ. MIN.
PRETRAVEL	-----	.094 MAX.
DIFFERENTIAL TRAVEL	-----	.015 MAX.
OVERTRAVEL	-----	.015 MIN.

ELECTRICAL DATA

CONTACT ARRANGEMENT	BREAK DISTANCE
---------------------	----------------

SCALE FULL

DO NOT SCALE PRINT		
UNLESS OTHERWISE SPECIFIED		
DIMENSIONS ARE IN INCHES		
TOLERANCES ARE:		
ONE PLACE	(.0)	±.030
TWO PLACE	(.00)	±.015
THREE PLACE	(.000)	±.005
ANGLES		± 1°
WEIGHT		

74-98