

MICRO SWITCH

A DIVISION OF MINNEAPOLIS-HONEYWELL REGULATOR COMPANY
FED. MFR. CODE 91929

ACTUATOR-SWITCH

CATALOG LISTING

JX-41

S

JX-41

M

DRAWING NUMBER

ISSUE
X 2 9
X 3 9
X 4 9

REPLACES

RELEASE NO. SR 7758

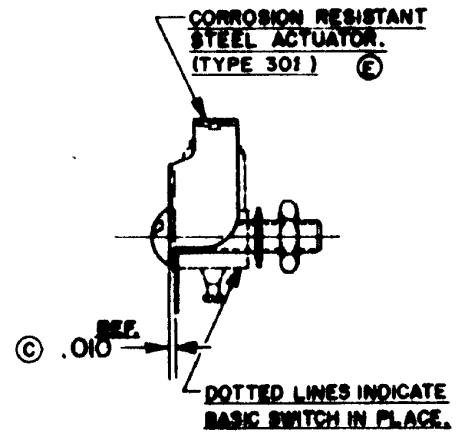
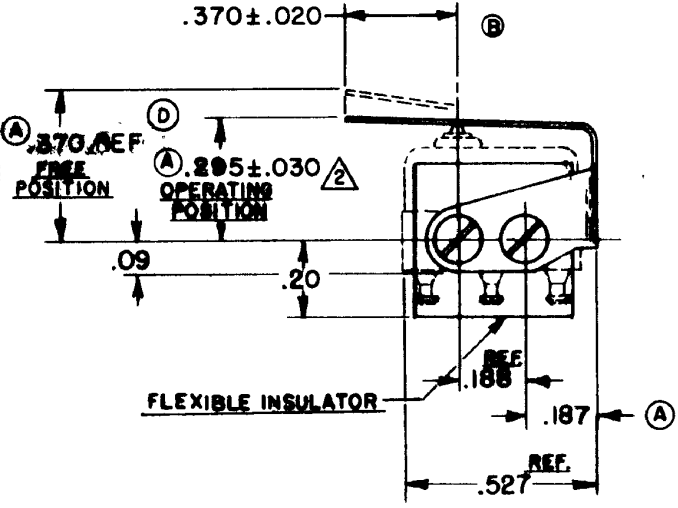
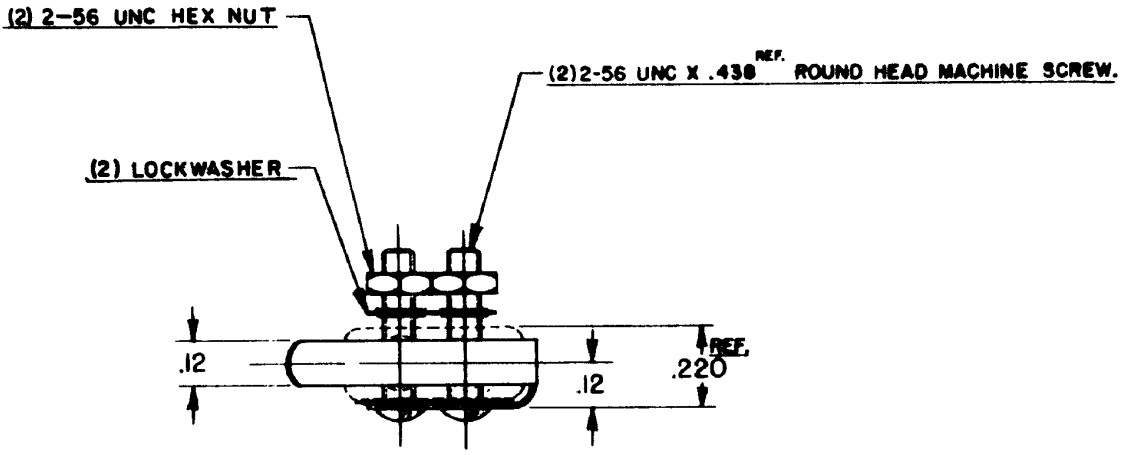
CHECK

CHECK

REVISIONS

A	0013644	M B F	27 APR 59
B	0014671	S D	24 MAR 60
C	0016828	M B F	17 APR 61
D	0022579	OMW	27 APR 67
E	0022579	M B S	18 APR 68
F	0047771	C H J	17 MAY 69
G	0074163	D H D	22 APR 93
H	0082928	D L T	13 MAY 96

D. A. W. 29, AUG '58 CHECK G.C.H./2 SEPT 58



NOTE -

- 1- SCREWS, NUTS, LOCKWASHERS AND INSULATOR FURNISHED UNASSEMBLED.
- 2- SLIGHT ROTATION BETWEEN BASIC AND ACTUATOR MAY BE NECESSARY TO OBTAIN OPERATING POSITION

THIS DRAWING COVERS A PROPRIETARY ITEM AND IS THE PROPERTY OF MICRO SWITCH, A DIVISION OF MINNEAPOLIS-HONEYWELL REGULATOR CO. THIS DRAWING IS NOT TO BE COPIED OR USED WITHOUT THE APPROVAL OF MICRO SWITCH.

CHARACTERISTICS WITH ISX1-T BASIC SWITCH INSTALLED	ELECTRICAL DATA	SCALE 2 TO 1
OPERATING FORCE ----- 6 OZ MAX.	CONTACT ARRANGEMENT	DO NOT SCALE PRINT
RELEASE FORCE ----- 1 OZ MIN.		UNLESS OTHERWISE SPECIFIED
DIFFERENTIAL TRAVEL --- .025 MAX.		DIMENSIONS ARE IN INCHES
OVERTRAVEL ----- .015 MIN. (A)		TOLERANCES ARE:
		ONE PLACE (.0) ± .030
		TWO PLACE (.00) ± .018
		THREE PLACE (.000) ± .008
		ANGLES ±
		WEIGHT

FO-50378

DRAWN