

MICRO SWITCH

A DIVISION OF HONEYWELL-ROBERTS, HUNTSVILLE, ALABAMA

ACTUATOR - SWITCH

CATALOG LISTING

JX-40

5

(M) SKETCH 20310
 ISSUE 1

REPLACES

SR 7757

RELEASE NO. SR 7757

CHECK B.L.S. 27 AUG 58

CHECK RED 2 JUL 58

CHECK GCH 12 SEPT 58

CHECK K.L.B. 2, JULY 59

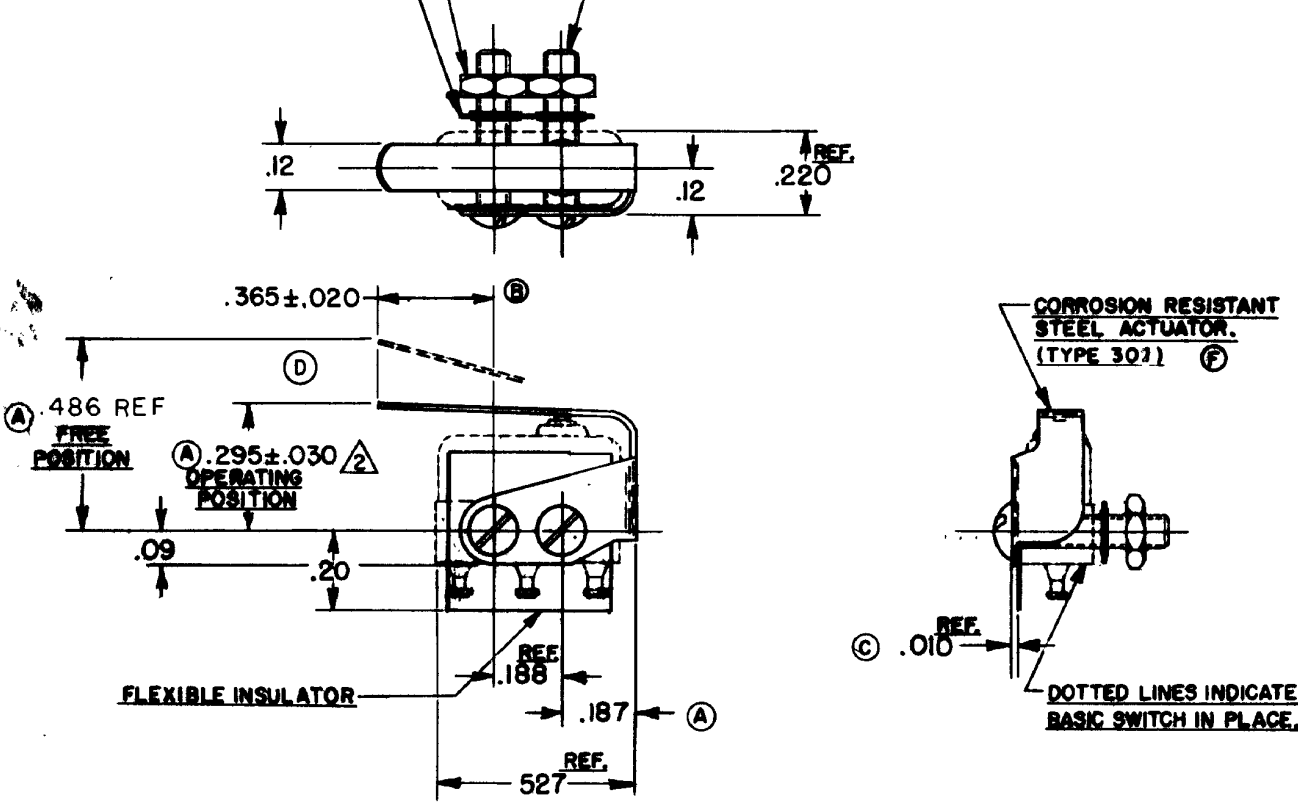
JX-40

M

REVISIONS

A	0012044	2 APR 58
B	0014871	20 MAR 58
C	0018025	17 APR 58
D	0022579	28 APR 57
E	0023798	2 FEB 58
F	0022579	14 APR 58
G	0026681	29 OCT 58
H	0047771	17 MAY 59
J	0074163	22 APR 58
K	0082929	10 MAY 59

(2) 2-56 UNC HEX NUT
 (2) 2-56 UNC X .438^{REF.} ROUND HEAD MACHINE SCREW.
 (2) LOCKWASHER



NOTE -

- 1 - SCREWS, NUTS, LOCKWASHERS AND INSULATOR FURNISHED UNASSEMBLED.
- 2 - SLIGHT ROTATION BETWEEN BASIC AND ACTUATOR MAY BE NECESSARY TO OBTAIN OPERATING POSITION
- 3 - WEIGHT INCLUDES BRACKET ASSEMBLY ONLY DOES NOT INCLUDE BASIC SWITCH

CHARACTERISTICS WITH ISX1-T BASIC SWITCH INSTALLED

OPERATING FORCE-----	7 OZ MAX
RELEASE FORCE-----	2 OZ MIN
DIFFERENTIAL TRAVEL---	.025 MAX
OVERTRAVEL-----	.015 MIN

ELECTRICAL DATA

CONTACT ARRANGEMENT

SCALE 2 TO 1

DO NOT SCALE PRINT

UNLESS OTHERWISE SPECIFIED
 DIMENSIONS ARE IN INCHES
TOLERANCES ARE:
 ONE PLACE (.0) 2.000
 TWO PLACE (.00) 2.018
 THREE PLACE (.000) 2.000
 ANGLES 2

WEIGHT .003 LB MAX 3