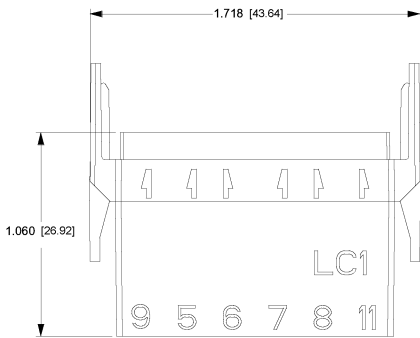


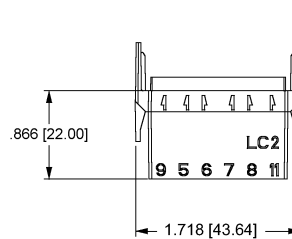
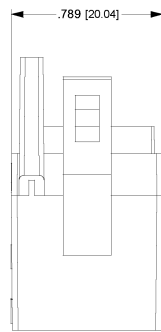
FO-55111-A

HONEYWELL  
PART NUMBER  
⚠

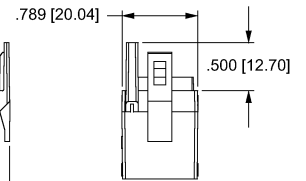
REV	DOCUMENT	CHANGED BY	CHECK
A	0016810	TSG 03NOV05	RJ



CONNECTOR HOUSING: FR-01 ⚠<sub>1</sub>⚠<sub>2</sub>⚠<sub>3</sub>



CONNECTOR HOUSING: FR-02 ⚠<sub>1</sub>⚠<sub>4</sub>⚠<sub>5</sub>



- NOTES
- ⚠<sub>1</sub> AVAILABLE ACCESSORIES ARE THE FR-01 CONNECTOR HOUSING AND THE FR-02 CONNECTOR HOUSING
  - ⚠<sub>2</sub> FR-01 CONNECTOR HOUSING FOR USE ON FRL AND FRN SERIES SWITCHES WITH .250 [6.35] WIDE TERMINALS (FRL91 AND FRN 91)
  - ⚠<sub>3</sub> RECOMMENDED WIRE TERMINALS FOR USE WITH FR-01 CONNECTOR HOUSING ARE DELPHI PACKARD METRI-PACK 630 SERIES
  - ⚠<sub>4</sub> FR-02 CONNECTOR HOUSING FOR USE ON FRL AND FRN SERIES SWITCHES WITH .187 [4.76] WIDE TERMINALS (FRL93 AND FRN93)
  - ⚠<sub>5</sub> RECOMMENDED WIRE TERMINALS FOR USE WITH FR-02 CONNECTOR HOUSING ARE DELPHI PACKARD METRI-PACK 480 SERIES

DESIGN UNITS: INCH	DRAWN	KSR	30SEP05
TOLERANCES UNLESS NOTED:	CHECK	RJ	30SEP05
NO PLACE .X ± 0.040	THIS DRAWING COVERS A PROPRIETARY ITEM AND IS THE PROPERTY OF HONEYWELL. THIS DRAWING IS NOT TO BE COPIED OR USED WITHOUT THE PERMISSION OF HONEYWELL.		
ONE PLACE .X ± 0.030			
TWO PLACE .XX ± 0.015			
THREE PLACE .XXX ± 0.005			
FOUR PLACE .XXXX ± 0.0005			
ANGLES ± 2	INTERPRET PER ASME Y14.5M-1994 OTHER HONEYWELL ENGINEERING STANDARDS MAY APPLY		
THIRD ANGLE PROJECTION			
⊕			

<b>Honeywell</b>	
TITLE	
<b>PACKET</b>	
SIZE	TYPE
<b>B</b>	<b>I</b>
SCALE	-

DRAWING NAME		REV
FR ACCESSORIES SERIES CHART 1		<b>A</b>
SHEET		1 OF 1