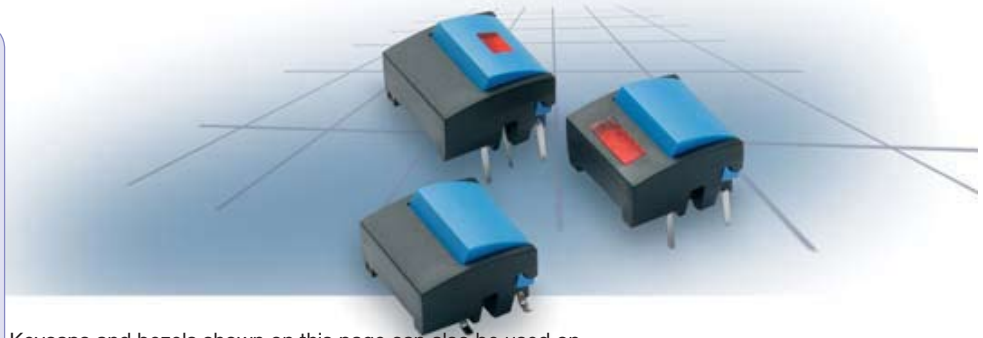


multimec® 3A + 1B/1C + 2A/2B

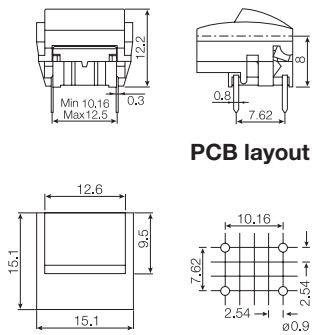
Technical Data

- through-hole or SMD
- 50mA/24VDC
- single pole/momentary
- 10.000.000 operations life time
- IP67 sealing
- temperature range:
low temp: -40/+115°C
high temp: -40/+160°C

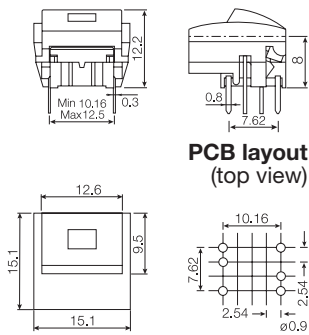


Keycaps and bezels shown on this page can also be used on illumec™ switch 4A.

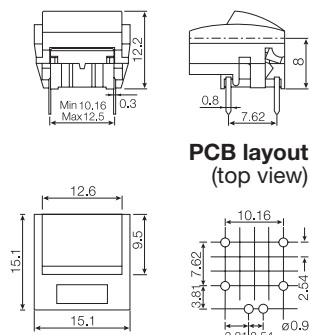
Dimensions (through-hole)



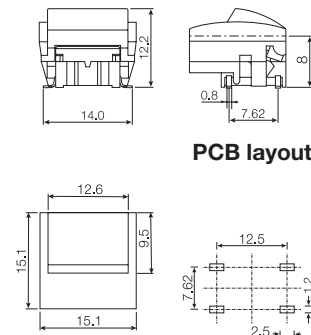
Dimensions w/LED in switch (1C)



Dimensions w/LED PCB mounted (2D)



Dimensions (SMD)



How to order

3 A + **1 B** + **2 C**

Switch	Mounting	L 6 low temp. H 9 high temp.	Cap	00 blue 02 green 03 grey 04 yellow 06 white 08 red 09 black	Bezel	00 blue 02 green 03 grey 04 yellow 06 white 08 red 09 black	For 1B and 2A only:	30 ultra blue 40 dusty blue 42 aqua blue 32 mint green 33 tele grey 08 red 34 melon 38 noble red	50 metal dark blue 53 metal light grey 57 metal dark grey 58 metal bordeaux
---------------	-----------------	---	------------	--	--------------	--	----------------------------	---	--

3 A **T** + **1 C** + **2 C**

Switch	Mounting	L 6 low temp. H 9 high temp.	LED	00 blue 20 green 40 yellow 80 red	Cap	00 blue 02 green 03 grey 04 yellow 06 white 08 red 09 black	Lens	1 transparent 2 green 4 yellow 8 red	Bezel	00 blue 02 green 03 grey 04 yellow 06 white 08 red 09 black
---------------	-----------------	---	------------	--	------------	--	-------------	---	--------------	--

3 A **T** + **1 B** + **2 D**

Switch	Mounting	L 6 low temp. H 9 high temp.	Cap	00 blue 02 green 03 grey 04 yellow 06 white 08 red 09 black	Bezel	00 blue 02 green 03 grey 04 yellow 06 white 08 red 09 black	Lens	1 transparent 2 green 4 yellow 6 frosted white 8 red
---------------	-----------------	---	------------	--	--------------	--	-------------	---

+ **2 B X X X**

LED for 2D bezel	20 green 40 yellow 80 red
-------------------------	--

Ordering example: 3ATL640 + 1C094 + 2C04

For updates of products and/or changes of specifications please see www.mec.dk