

SPECIFICATIONS

Material: IQ-SEELS: Silicone Rubber Polymer type ASTM D 1418

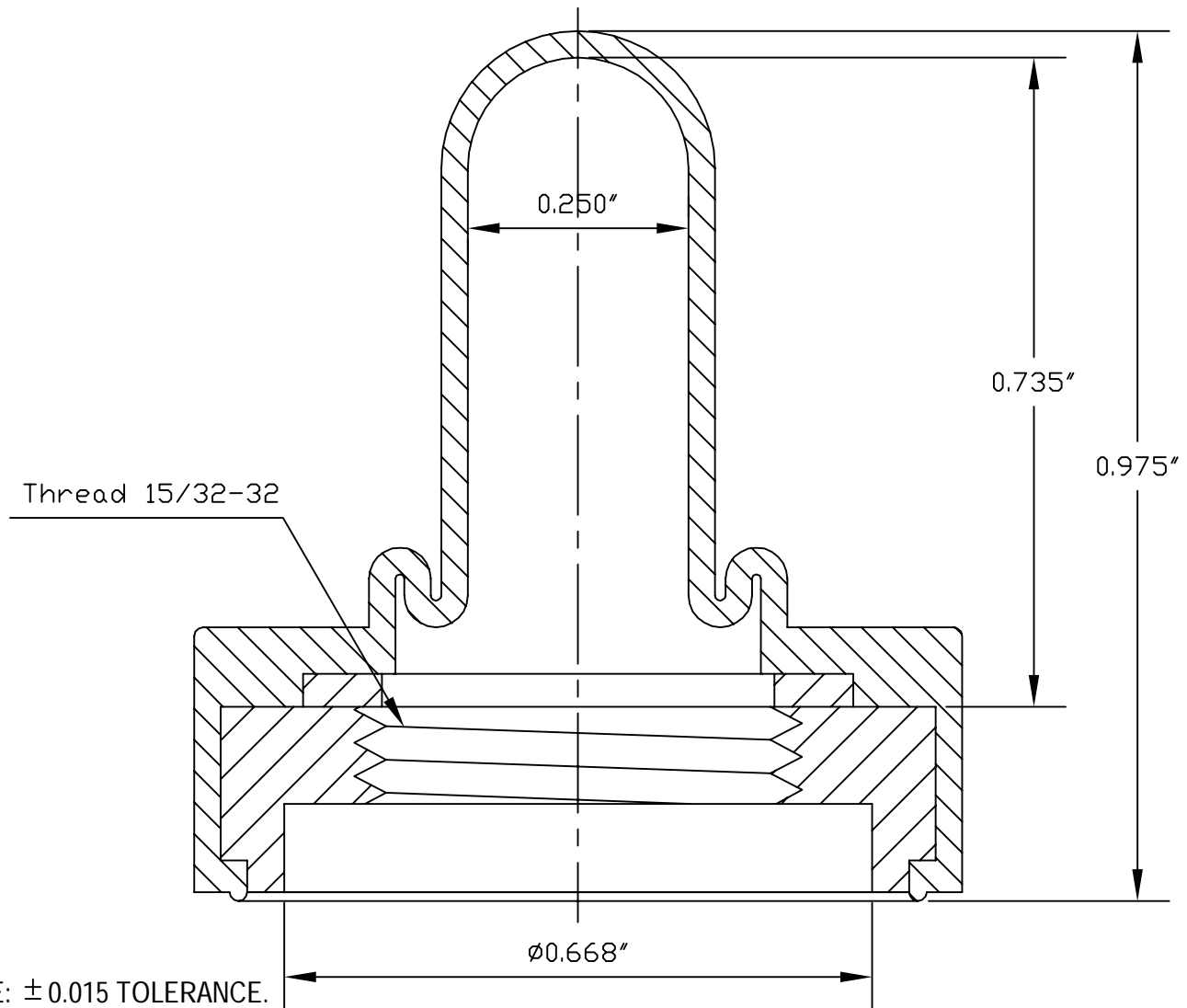
Mounting Nut: IQ-SEELS: Aluminum

Temperature Range: IQ-SEELS: -80°F to +400°F

Operational Life: 100,000 actuations (minimum)

Shelf Life: Excess of 25 years

Resistant to: Salt spray, sunlight, ozone, weather, fungus and most acids and lubricating oils



NOTE: ± 0.015 TOLERANCE.

B	CHANGED ACTUATIONS FROM 50,000 to 100,000	04.17.09
A	CAD COMPUTER GENERATED	04.23.08
REV.	DESCRIPTION	DATE
MAXIMUM AND MINIMUM MEASUREMENTS ARE STATED DIRECTLY ON EACH DIMENSION.	TITLE: TOGGLE SWITCH BOOT	ENG. S. GOK 04.23.08
		DWN. S. GOK 04.23.08
		CHKD. J. CELLA 04.23.08
MAT'L: SILICONE RUBBER GR-30	APM-HEXSEAL CORPORATION	SCALE 5:1
FINISH: BLACK		DWG. NO. IQ1030 IQ-SEEL

THIS DRAWING COVERS PROPRIETARY ITEM AND IS THE PROPERTY OF THE APM-HEXSEAL CORPORATION.
THIS DRAWING IS NOT TO BE COPIED OR USED WITHOUT THE WRITTEN APPROVAL OF AN OFFICER OF THE APM-HEXSEAL CORPORATION.