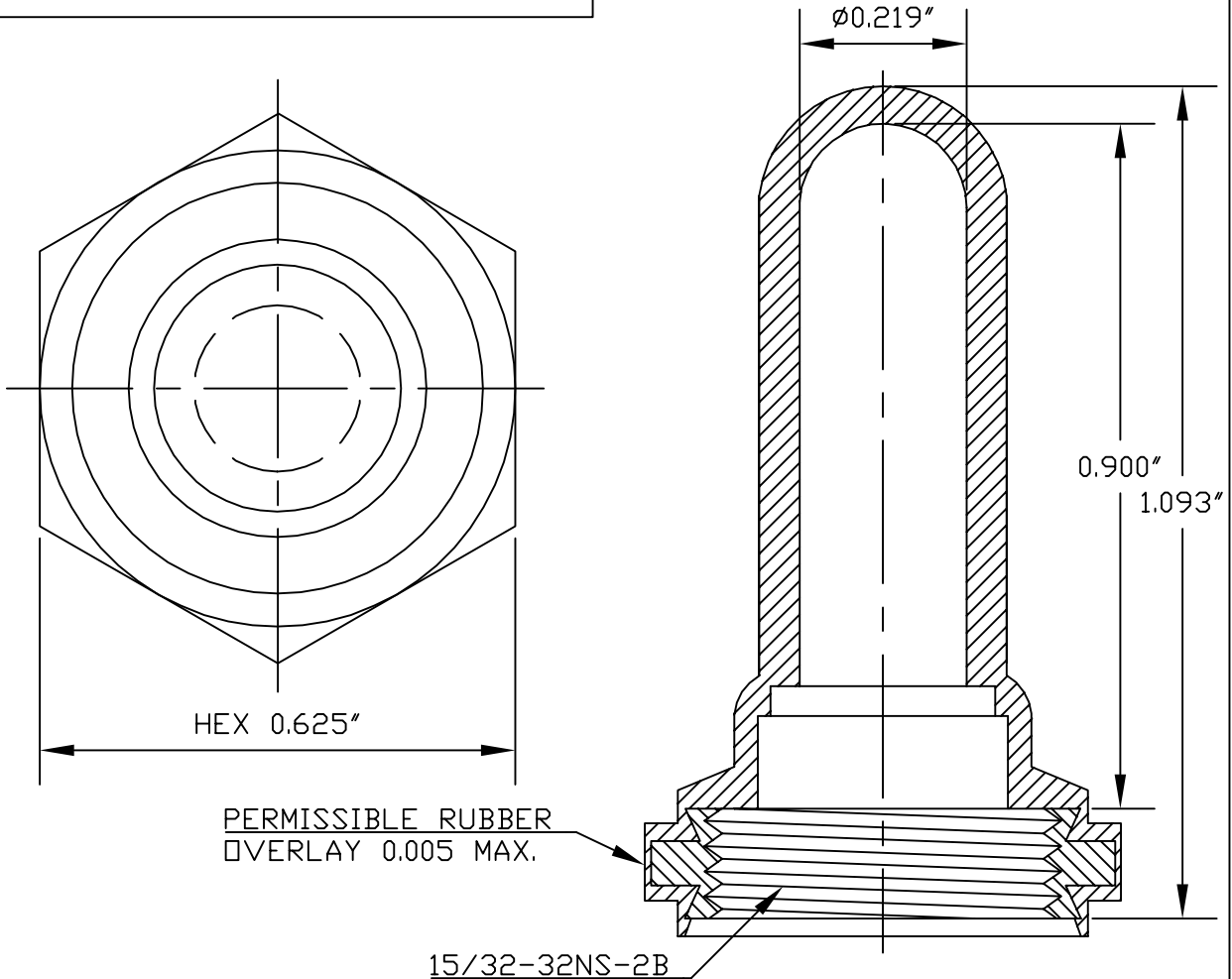


**SPECIFICATIONS**

**Material:** HEXSEALS: Silicone rubber conforms to A-A-59588 Class III, GR 50 (unless otherwise specified)  
**Mounting Nut:** HEXSEALS: Brass, nickel-plated  
**Temperature Range:** HEXSEALS: -94°F to +400°F  
**Pressure Range:** Exceeds 15 psi internal and 1500 psi external. (N5032B: 10 psi)  
**Operational Life:** 50,000 actuations (minimum).  
**Shelf Life:** Excess of 25 years.  
**Resistant to:** Salt spray, sunlight, ozone, weather, fungus, and most acids and lubricating oils  
**Agency Recognition:** E-SEALS and HEXSEALS are UL-listed to UL Std. 50 types 1-13, and meet CSA standards.  
**Installation:** If a reducing adaptor is required - see page 14 of HEXSEAL catalog HEX200 for part numbers and drawing.



D	REDRAWN and MAT'L CHANGED		05.27.09
C	CAD COMPUTER GENERATED		9-23-02
B	REDRAWN		9-12-74
REV.	DESCRIPTION		DATE
MAXIMUM AND MINIMUM MEASUREMENTS ARE STATED DIRECTLY ON EACH DIMENSION.		TITLE: BOOT, TOGGLE SWITCH #(1131/26)	ENG. M.M. 12-7-57
MAT'L: SILICONE RUBBER PER A-A-59588 CLIII GR50			DWN. J.PALUMBO 12-7-57
FINISH: GRAY		APM-HEXSEAL CORPORATION	CHKD.
		SCALE 4:1	DWG. NO. (1131/26) HEXSEAL®

THIS DRAWING COVERS PROPRIETARY ITEM AND IS THE PROPERTY OF THE APM-HEXSEAL CORPORATION.  
 THIS DRAWING IS NOT TO BE COPIED OR USED WITHOUT THE WRITTEN APPROVAL OF AN OFFICER OF THE APM-HEXSEAL CORPORATION.