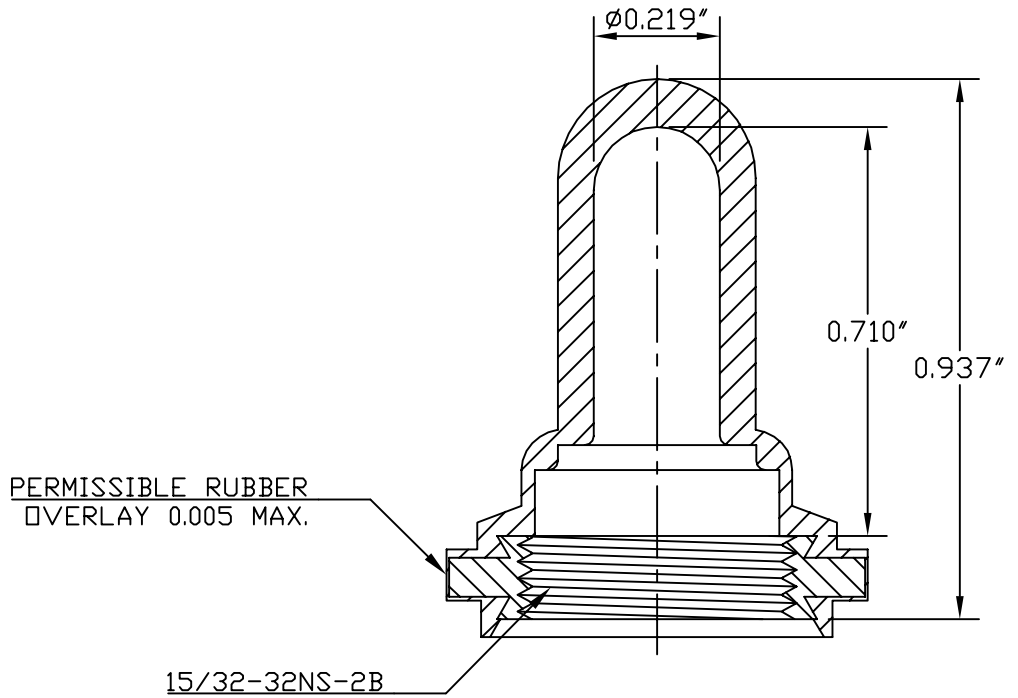
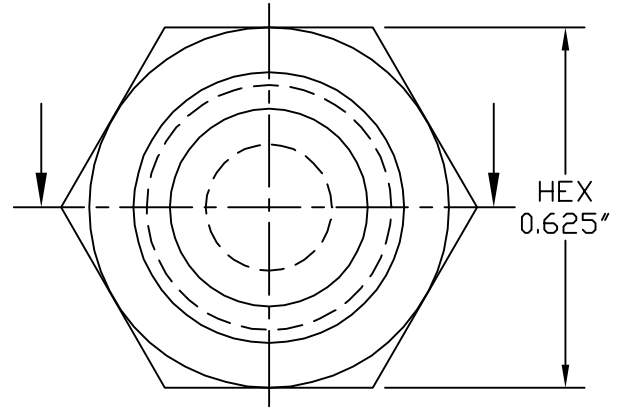


SPECIFICATIONS

Material: E-SEELS -- Silicone rubber polymer type ASTM D 1418
Mounting Nut: E-SEELS: Brass, black-oxide
Temperature Range: E-SEELS: -80°F to +400°F
Pressure Range: Exceeds 15 psi internal and 1500 psi external.
 (N5032B: 10 psi)
Operational Life: 50,000 actuations (minimum).
Shelf Life: Excess of 25 years.
Resistant to: Salt spray, sunlight, ozone, weather, fungus, and most acids and lubricating oils
Agency Recognition: E-SEELS and HEXSEALS are UL-listed to UL Std. 50 types 1-13, and meet CSA standards.
Installation: If a reducing adaptor is required - see page 14 of HEXSEAL catalog HEX200 for part numbers and drawing.



| | | | |
|---|--|----------------|-----------------------|
| D | REDRAWN | S. GOK | 08.19.09 |
| C | CAD COMPUTER GENERATED | | 09.23.02 |
| B | REDRAWN | | 09.12.74 |
| REV. | DESCRIPTION | | DATE |
| MAXIMUM AND MINIMUM MEASUREMENTS ARE STATED DIRECTLY ON EACH DIMENSION. | | | |
| MAT'L: SILICONE RUBBER PER ASTM D 1418 | TITLE: BOOT, TOGGLE SWITCH #(C1131/28) | ENG. M.M. | 12.07.57 |
| FINISH: BLACK | APM-HEXSEAL CORPORATION | DWN. J.PALUMBO | 12.07.57 |
| | | CHKD. J.CELLA | 08.19.09 |
| | | SCALE 3:1 | (C1131/28) E-SEEL® |
| | | DWG. NO. | |

THIS DRAWING COVERS PROPRIETARY ITEM AND IS THE PROPERTY OF THE APM-HEXSEAL CORPORATION.
 THIS DRAWING IS NOT TO BE COPIED OR USED WITHOUT THE WRITTEN APPROVAL OF AN OFFICER OF THE APM-HEXSEAL CORPORATION.