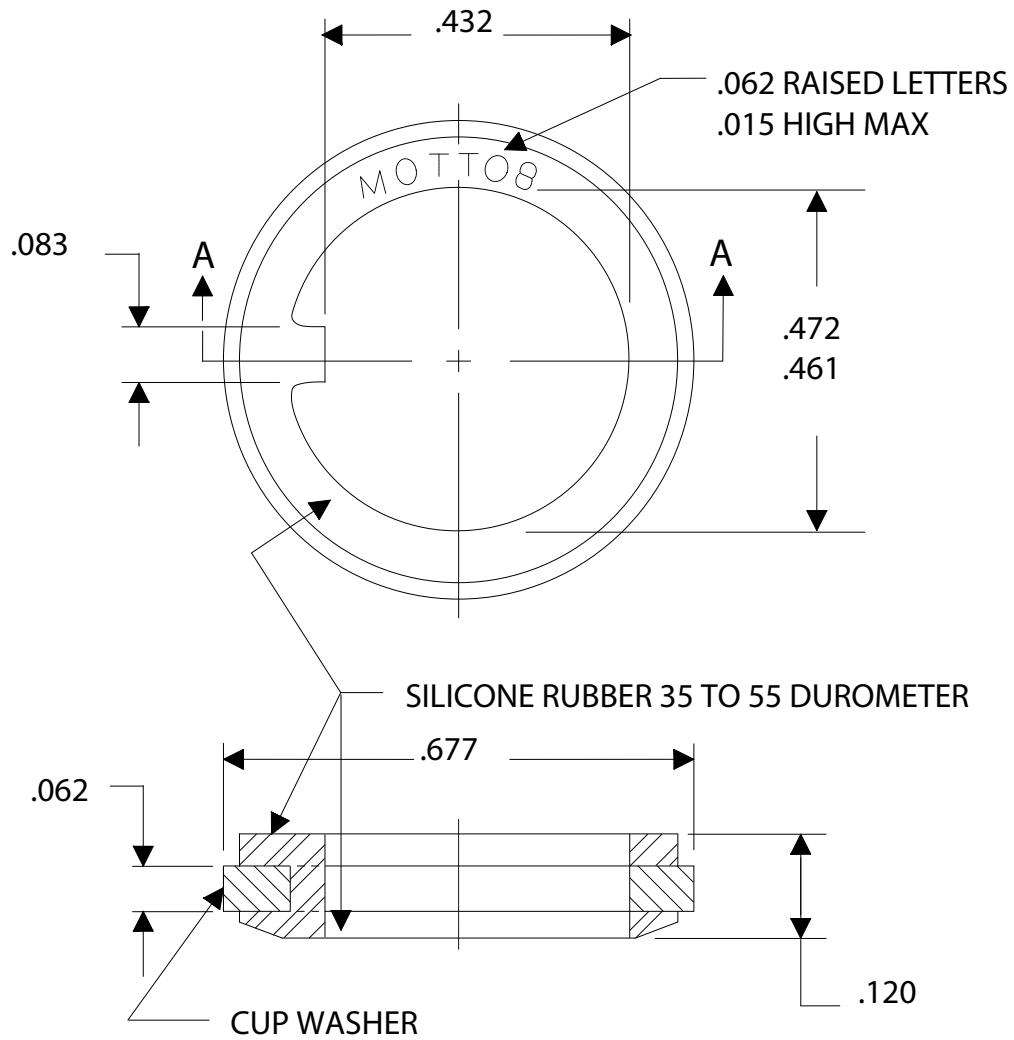


SPECIFICATIONS

Mounting: Either Front or Behind Panel
 Temperature Range: -94 f to +400 F
 Shelf-Life: in excess of 25 years
 Material: Stainless steel with bonded silicone rubber
 conforms to ZZ-R-765 Class 3
 Resistant To: Salt spray, sunlight, ozone, weather, fungus,
 and most acids and lurbricating oils



SECTION AA

A		CAD COMPUTER GENERATED		1-10-03
REV.	DESCRIPTION			DATE
MAXIMUM AND MINIMUM MEASUREMENTS ARE STATED DIRECTLY ON EACH DIMENSION.		TITLE:	PANEL BUSHING SEAL FOR SEALED SWITCHES/CIRCUIT	ENG.
MAT'L:				DWN
FINISH:		APM-HEXSEAL CORPORATION	SCALE	DWG. NO.
S.S. WASHER				

THIS DRAWING COVERS PROPRIETARY ITEM AND IS THE PROPERTY OF THE APM-HEXSEAL CORPORATION.