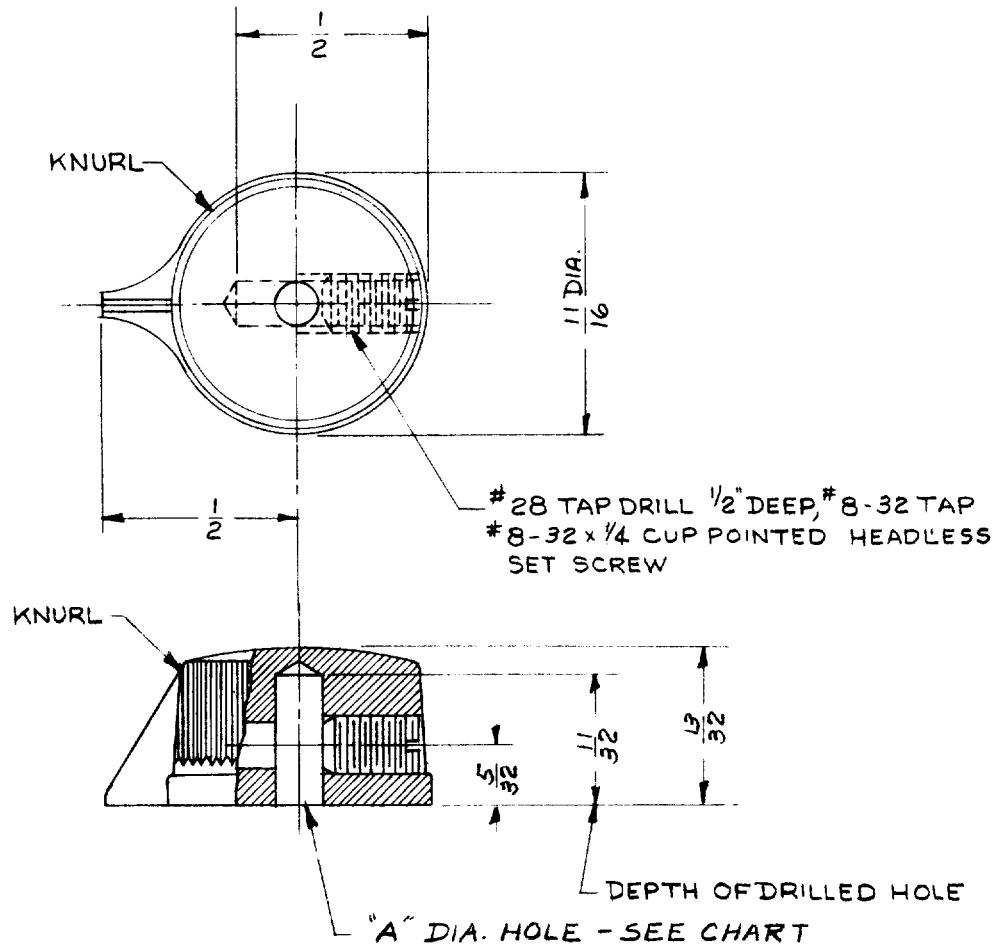


No.	WAS	DATE	APVD.	No.	WAS	DATE	APVD.	No.	WAS	DATE	APVD.
A	CHART ADDED	12-18-58	[Signature]	B	CAT. # KC-6	3-12-62	[Signature]	C	CAT. # KC-7	3-12-62	[Signature]
D				E				F			

OPER. NO.	TOOL NO.	OPERATION
1		PURCHASE FROM HARRY DAVIES MOLDING CO. CHICAGO, ILL.



**ORIGINAL**

PART NO.	CATALOGUE NO.	VENDORS NO.	COLOR	A DIA. HOLE	DATE	APVD.
P14469	P-106 (B)	1400-R	BLACK	.126-.130	5-18-54	
P24553	P-107 (C)	1400	WALNUT	.251-.255	12-18-58	[Signature]
P58359	P-199	1400	BLACK	.251-.255	2-14-68	N.N.

TOL. UNLESS SPECIFIED DECIMALS ± .005 FRACTIONS ± .010 ANGLES ±		PRINT CODE 41B-41V N. NELSON-1		INDEX CODE		FINISH SEE CHART		PART NO. SEE CHART	
MATERIAL		SUPERSEDES P14469-A		DATE 3-8-54		COST CODE		UNIT NO.	
TITLE KNOBS - SWITCHES		DATE 5-18-54		ENG. [Signature]		DATE 3-24-54		NO. SHEETS	
STATUS A		SCALE 2" = 1"		CHECKED [Signature]		DATE 5-25-54		SHEET NO.	
DR. H.F.H.		DATE 5-18-54		ENG. [Signature]		DATE 3-24-54		NO. SHEETS	
Centralab.		A DIV. OF		GLOBE - UNION INC.		MILWAUKEE		DWG. SIZE P 14469 A	