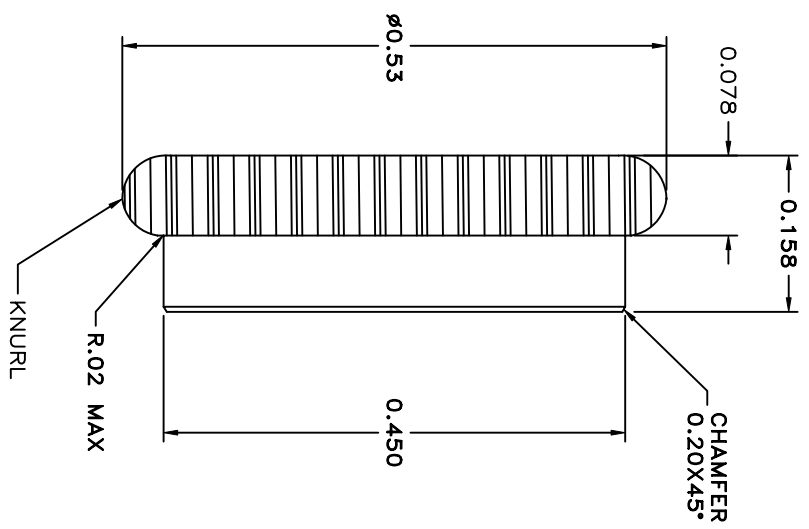
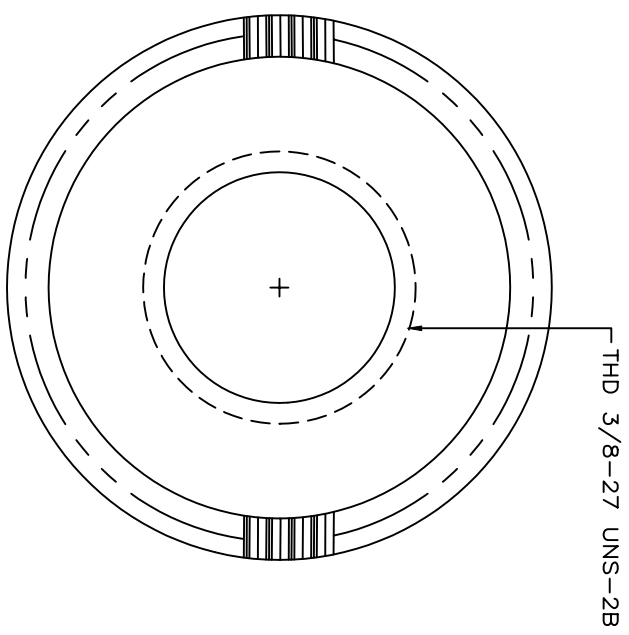


LTR	EN	DESCRIPTION	APPR	BY	DATE
A	-	INITIAL RELEASE	MT	DC	04-01-08



JUDCO INVENTORY NO. 18-1017-00  
 DESCRIPTION: NUT, KNURLED 3/8-27  
 BRASS/BRIGHT NICKEL PLATE  
 ROHS COMPLIANT

CUSTOMER:  
 CUSTOMER PN:  
 APPROVED BY: \_\_\_\_\_  
 DATE: \_\_\_\_\_

This document embodies a product, component, and/or design proprietary to JUDCO MANUFACTURING INC., and which is protected either as a trade secret, by U.S. Patent, or by copyright. It may not be used in any way without written express consent of JUDCO MANUFACTURING INC.

DIMENSIONS IN INCHES  
 DIMENSIONS ARE REFERENCE

DRAWN: DC	04-01-08	
APPR: KJ	04-01-08	
TITLE		NUT, 3/8-27 BRASS BRIGHT NI-PLT
DWG. NO.		
1415U1359A.DWG		1415-1359
SHEET		1 OF 1