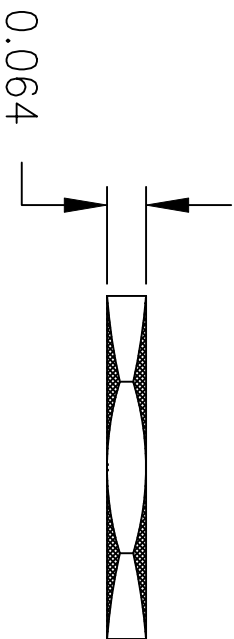
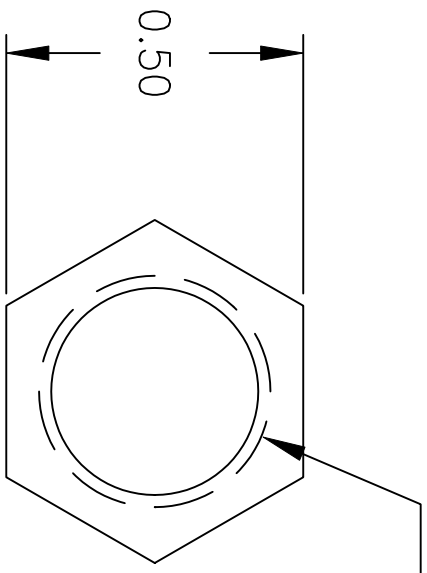


LTR	EN	DESCRIPTION	APPR	BY	DATE
A	-	INITIAL RELEASE	RB	NH	1-7-04

THD 3/8-27



JUDCO INVENTORY NO. 18-1006-00
 DESCRIPTION: NUT, HEX, 3/8-27, BRASS, UNPLATED

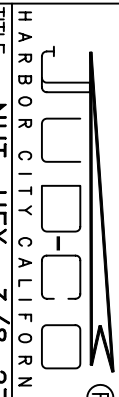
CUSTOMER: DIGI-KEY
 CUSTOMER: PN 534PB-ND

ACCEPTED BY: _____
 DATE: _____

DIMENSIONS IN INCHES
 DIMENSIONS ARE REFERENCE

DRAWN: NH 1-7-04
 APPR: KJ 1-7-04

1415US43A.DWG



HARBOR CITY CALIFORNIA
 TITLE NUT, HEX 3/8-27
 BRASS, UNPLATED

DWG. NO. 1415-543

SHEET

1 OF 1

This document embodies a product, component, and/or design proprietary to JUDCO MANUFACTURING INC., and which is protected either as a trade secret, by U.S. Patent, or by copyright. It may not be used in any way without written express consent of JUDCO MANUFACTURING INC.