

Security caps

For switch series 12000 - 3500 - 600H - 6000

Security caps prevent any inadvertent lever operation.

When the cap is raised, the lever can be operated freely.

When the cap is fully depressed, the lever is reset/locked in a stable position.

They are designed for use on switches with $\varnothing 11,9 (.468)$ or $\varnothing 12 (.472)$ threaded bushing and lever length 17,5 (.688) outside bushing.

Note : For correct switch operation, the security cap should be adjusted properly by means of 2 nuts.

MATERIALS

- Support plate : matt black steel
- Cap : thermoset material

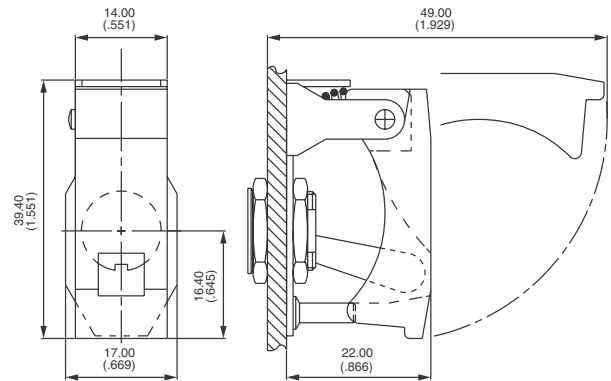
MODEL STRUCTURE



Series 20 - for 2-position switches

- Lever returned then locked in down position (OFF)

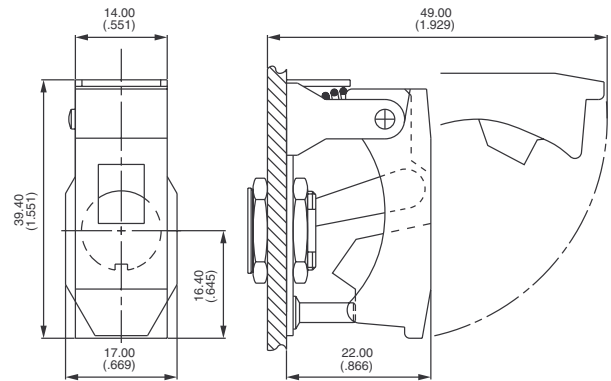
Model No	Colour
22	Grey
23	White
24	Orange
25	Black
26	Red
27	Green
28	Yellow
25/28	Black/yellow striped



Series 30 - for 3-position switches

- Lever returned then locked in upper position

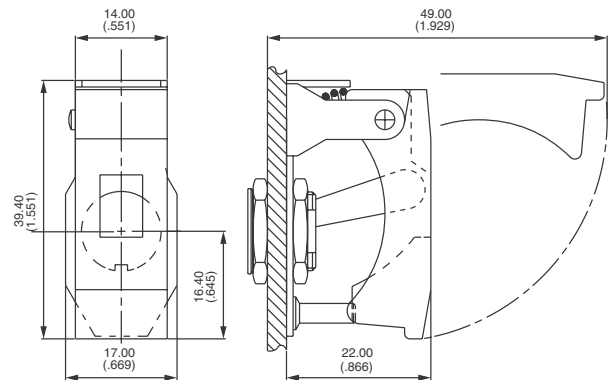
Model No	Colour
32	Grey
33	White
34	Orange
35	Black
36	Red
37	Green
38	Yellow
39	Blue
35/38	Black/yellow striped



Series 40 - for 2-position switches

- Lever returned then locked in upper position

Model No	Colour
42	Grey
43	White
44	Orange
45	Black
46	Red
47	Green
48	Yellow
49	Blue
45/48	Black/yellow striped



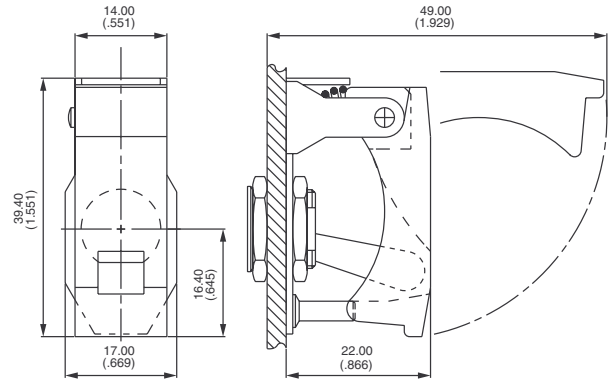
Security caps

For switches with flatted bushing \varnothing 11,9 (15/32)

Series 50 - for 2-position switches

- Lever returned then locked in down position (OFF)

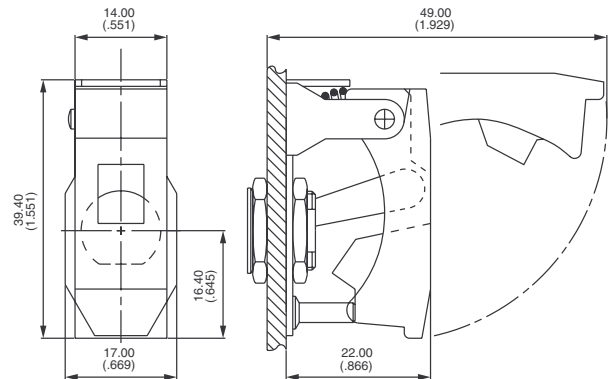
Model No	Colour
52	Grey
53	White
54	Orange
55	Black
56	Red
57	Green
58	Yellow
59	Blue
55/58	Black/yellow striped



Series 60 - for 3-position switches

- Lever returned then locked in upper position

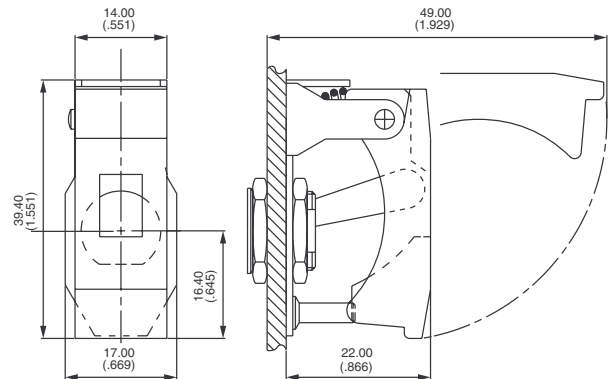
Model No	Colour
62	Grey
63	White
64	Orange
65	Black
66	Red
67	Green
68	Yellow
69	Blue
65/68	Black/yellow striped



Series 70 - for 2-position switches

- Lever returned then locked in upper position

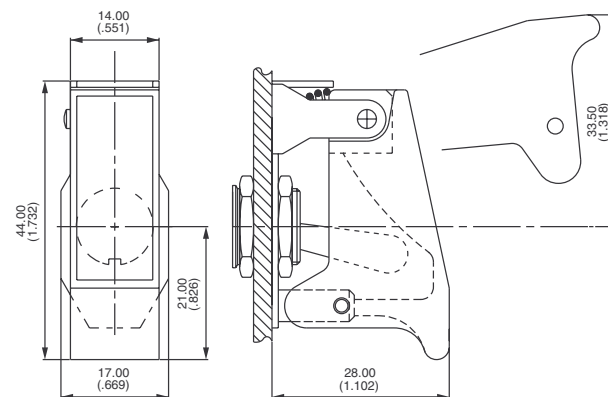
Model No	Colour
72	Grey
73	White
74	Orange
75	Black
76	Red
77	Green
78	Yellow
79	Blue
75/78	Black/yellow striped



Series 20PN - for 2-position switches

- Lever returned then locked in down position (OFF)

Model No	Colour
22PN	Grey
23PN	White
24PN	Orange
25PN	Black
26PN	Red
27PN	Green
28PN	Yellow
29PN	Blue



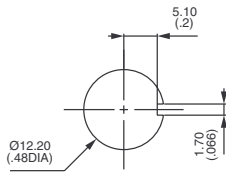
On this model, holes for wiring a seal are standard.

Security caps

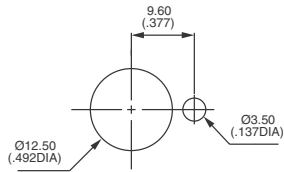
PANEL CUT-OUT

Series 20 - 30 - 40

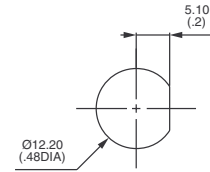
Series 50 - 60 - 70



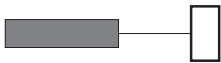
With positioning



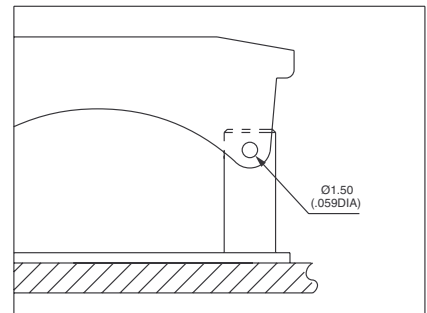
With locking ring



OPTIONS



P Holes for wiring a seal



Cap engraving available : consult factory.

Other locking configurations such as center position locked available : consult factory.

Security caps

For switch series 3500 - 600H - 6000

Series 90

- Lever locked in center position

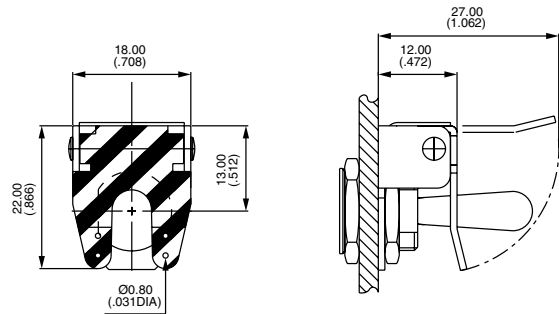


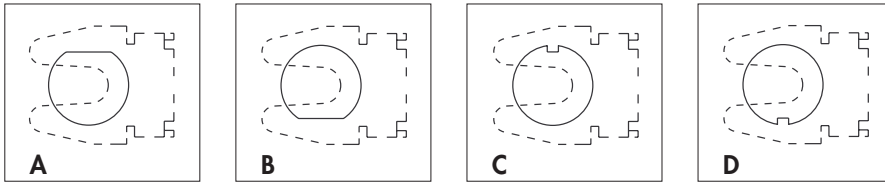
Plate features holes for wiring a seal.

To build a part number, select desired option from each category here below.

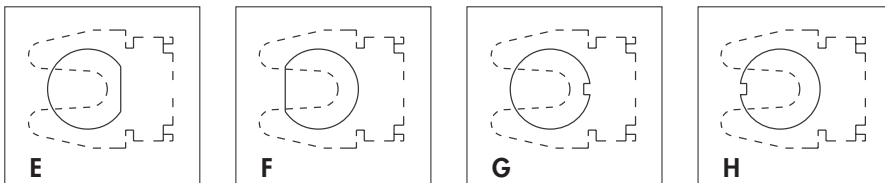
BUSHING SHAPES



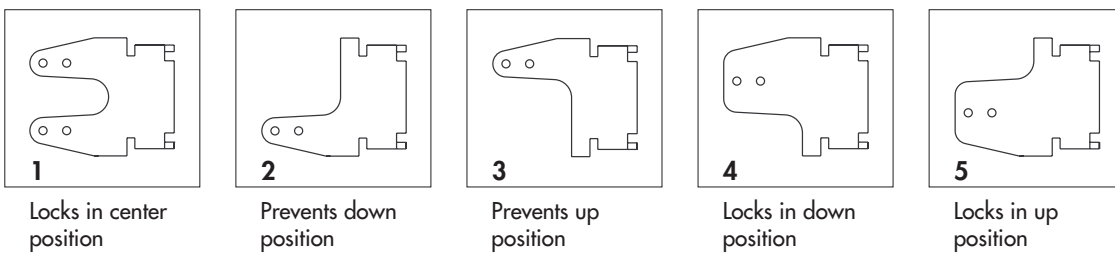
For standard products



For other products



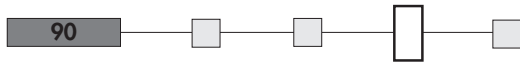
SECURITY CAP SHAPE



Security caps

For switch series 3500 - 600H - 6000

SECURITY CAP COLOURS



1	Blue
2	Black
3	Green
4	Grey
5	Yellow
6	Red
7/1	White
9	Orange
0	Striped (see below)

COLOUR OF STRIPES



	Stripe ①	Stripe ②
A	Red	Black
B	Yellow	Black
C	Red	White
D	White	Black

