

MICRO SWITCHA DIVISION OF MILWAUKEE-HONEYWELL REGULATOR COMPANY
MILWAUKEE, WISCONSIN

FED. MFR. CODE 91929

ACTUATOR-SWITCH

CATALOG LISTING

MD3211-Q

S

(M) MD3211-Q

ISSUE 4

MD3211-Q**M**

DRAWING NUMBER

REPLACES
RELEASE NO.

ISSUE

7

REVISIONS

A	CO 9520	R. L. Z.	24 SEPT. 58
B	CO 74336	K D R	4 MAY 93
C	CO-77420	S A D	20 JUL 94

CHECK

M. J. L. 26 SEPT. 58

G. C. H. 22 OCT. 58

R. L. Z. 24 SEPT. 56

FO-80378

DRAWN

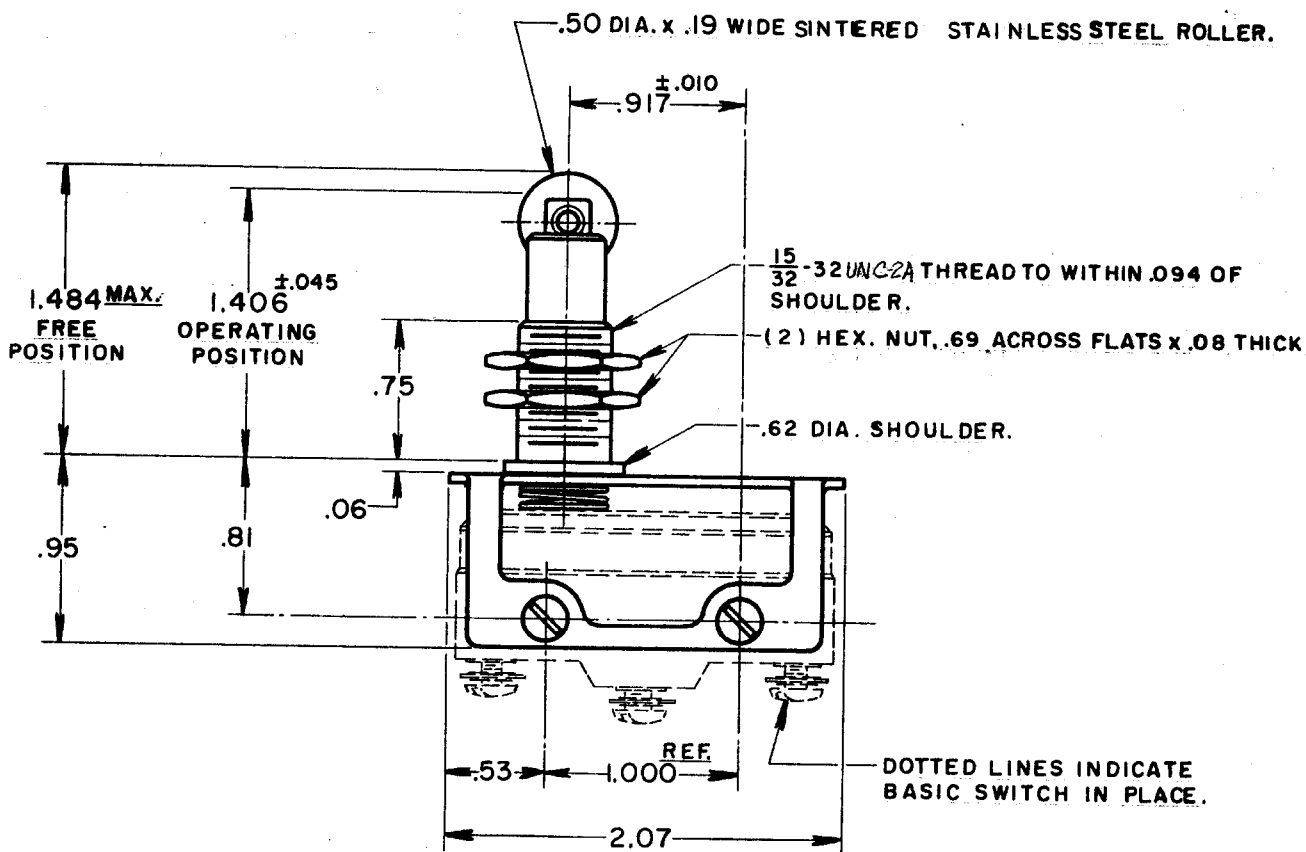
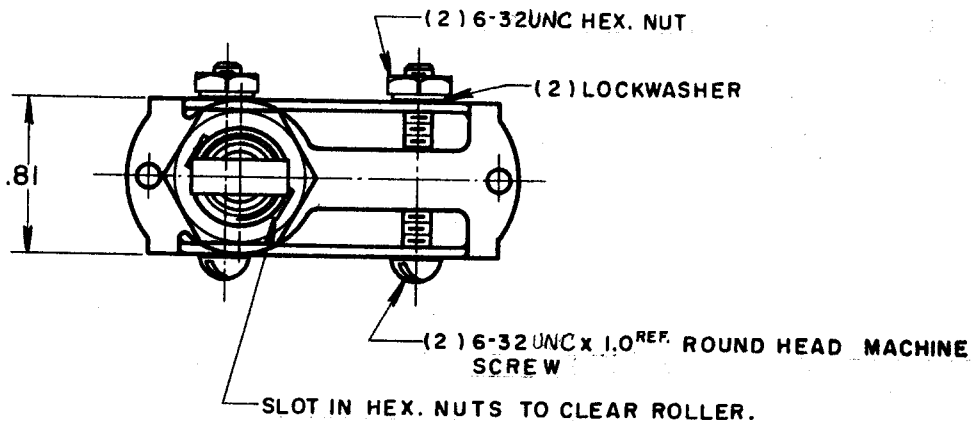
REPLACES

RELEASE NO.

CHECK

CHECK

CHECK

**NOTE-**

1- SCREWS, NUTS, AND LOCKWASHERS FURNISHED UNASSEMBLED.

THIS DRAWING COVERS A PROPRIETARY ITEM AND IS THE PROPERTY OF MICRO SWITCH, A DIVISION OF HONEYWELL. THIS DRAWING IS NOT TO BE COPIED OR USED WITHOUT THE APPROVAL OF MICRO SWITCH.

CHARACTERISTICS

OVERTRAVEL ——— .125 APPROX.

ELECTRICAL DATA

CONTACT ARRANGEMENT

BREAK DISTANCE

SCALE - FULL

DO NOT SCALE PRINT

UNLESS OTHERWISE SPECIFIED
DIMENSIONS ARE IN INCHES
TOLERANCES ARE:

ONE PLACE (.0)	$\pm .030$
TWO PLACE (.00)	$\pm .015$
THREE PLACE (.000)	$\pm .005$
ANGLES	\pm

WEIGHT