

MICRO SWITCH

A DIVISION OF MINNEAPOLIS-HONEYWELL REGULATOR COMPANY
 FREEPORT, ILLINOIS

FED. MFR. CODE 91929

ACTUATOR-SWITCH

CATALOG LISTING

JE - 21

JE-21

M

DRAWING NUMBER

X 2

ISSUE

REPLACES

RELEASE NO. SR 8930

20 APR 60

CHECK

9 MAR 60

CHECK

20 APR 60

CHECK

9 MAR 60

CHECK

20 APR 60

CHECK

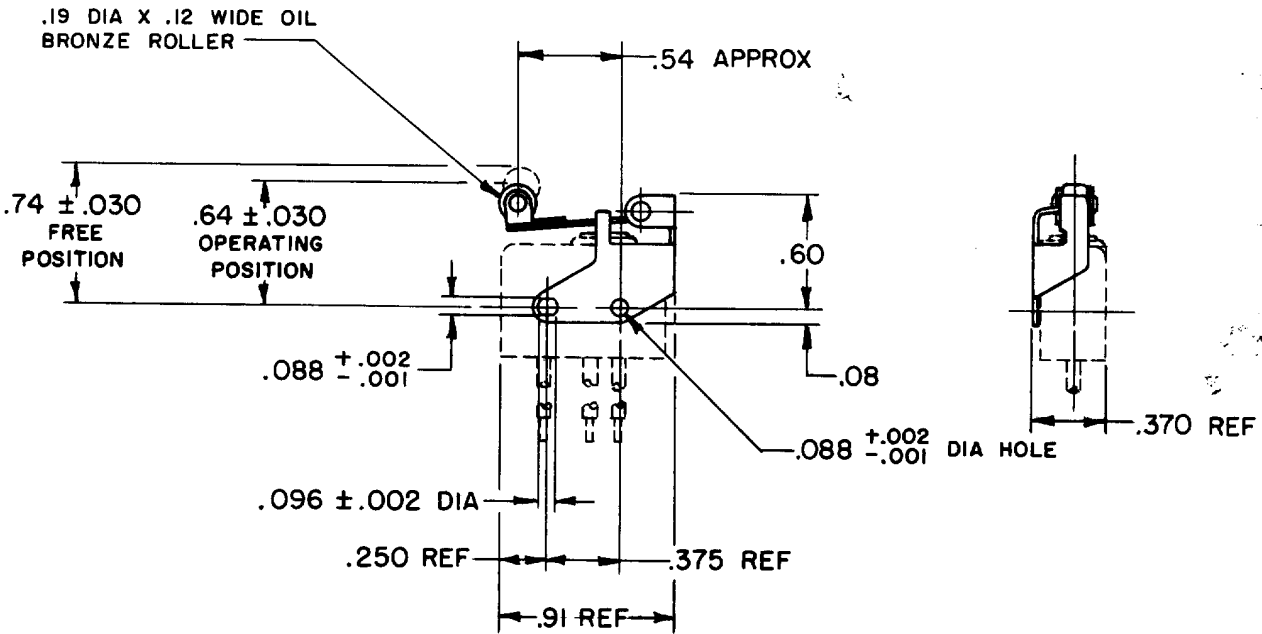
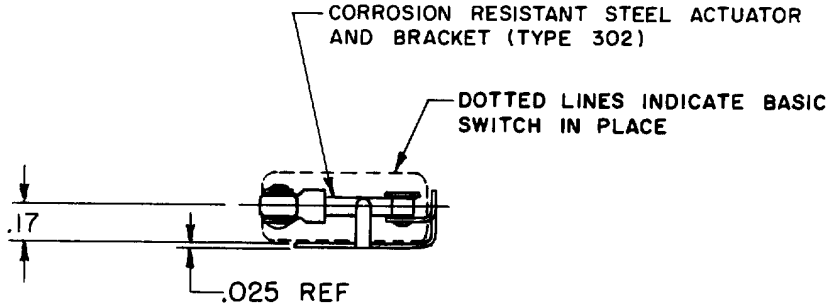
9 MARCH 60

CHECK

9 MARCH 60

DRAWN

FO-50378



THIS DRAWING COVERS A PROPRIETARY ITEM AND IS THE PROPERTY OF MICRO SWITCH, A DIVISION OF MINNEAPOLIS-HONEYWELL REGULATOR CO. THIS DRAWING IS NOT TO BE COPIED OR USED WITHOUT THE APPROVAL OF MICRO SWITCH.

CHARACTERISTICS WITH ISEI BASIC SWITCH INSTALLED

OPERATING FORCE ----- 6 OZ MAX
 RELEASE FORCE ----- 1 OZ MIN
 DIFFERENTIAL TRAVEL ----- .016 MAX
 OVERTRAVEL ----- .010 MIN

ELECTRICAL DATA

CONTACT ARRANGEMENT BREAK DISTANCE

SCALE FULL

DO NOT SCALE PRINT

UNLESS OTHERWISE SPECIFIED
 DIMENSIONS ARE IN INCHES
TOLERANCES ARE:
 ONE PLACE (.0) ± .030
 TWO PLACE (.00) ± .015
 THREE PLACE (.000) ± .005
 ANGLES ±

WEIGHT