

MICRO SWITCH

A DIVISION OF MINNEAPOLIS-HONEYWELL REGULATOR COMPANY
PINEBROOK, ILLINOIS

FED. MFR. CODE 91929

ACTUATOR-SWITCH

CATALOG LISTING

JV-26

(M) JV-26
ISSUE 2

JV-26

M

DRAWING
NUMBER

4

ISSUE

REPLACES

RELEASE NO.

CHECK

REVISIONS

A

CO13876

MBF

9 JULY 59

B

CO34626

REF R

7 FEB 75

CKL

CKL

CKL

CKL

CKL

CKL

CKL

CKL

CKL

CKL

CKL

CKL

CKL

CKL

CKL

CKL

CKL

CKL

CKL

CKL

CKL

CKL

CKL

CKL

CKL

CKL

CKL

CKL

CKL

CKL

CKL

CKL

CKL

CKL

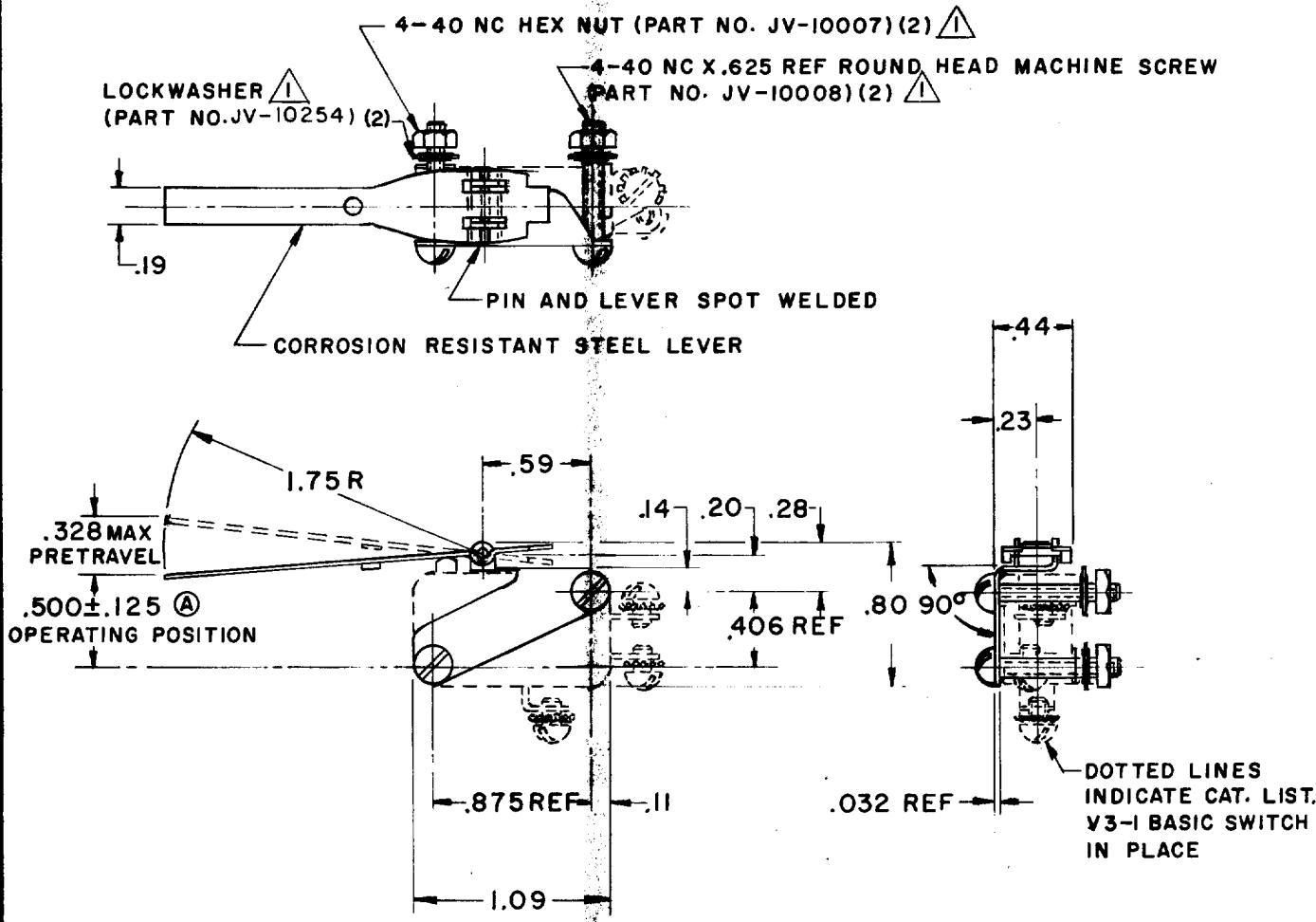
CKL

CKL

CKL

CKL

CKL



NOTE—
 \triangle FURNISHED UNASSEMBLED

THIS DRAWING COVERS A PROPRIETARY ITEM AND IS THE PROPERTY OF MICRO SWITCH, A DIVISION OF MINNEAPOLIS-HONEYWELL REGULATOR CO. THIS DRAWING IS NOT TO BE COPIED OR USED WITHOUT THE APPROVAL OF MICRO SWITCH.

CHARACTERISTICS	ELECTRICAL DATA		SCALE FULL
	CONTACT ARRANGEMENT	BREAK DISTANCE	DO NOT SCALE PRINT
WITH V3-1 BASIC SWITCH INSTALLED OPERATING FORCE ——— 2 1/4 OZ MAX RELEASE FORCE ——— 1/4 OZ MIN			UNLESS OTHERWISE SPECIFIED DIMENSIONS ARE IN INCHES
DIFFERENTIAL TRAVEL ——— .187 MAX OVERTRAVEL ——— .141 MIN			TOLERANCES ARE: ONE PLACE (.0) \pm .030 TWO PLACE (.00) \pm .015 THREE PLACE (.000) \pm .008 ANGLES \pm 2°
			WEIGHT

FO-50378

DRAWN

MBF 9 JULY 59

CKL

DAW

CKL

CKL

REVISIONS

CHECK

ISSUE

DRAWING NUMBER

RELEASE NO.

REPLACES

(M) JV-26
ISSUE 2