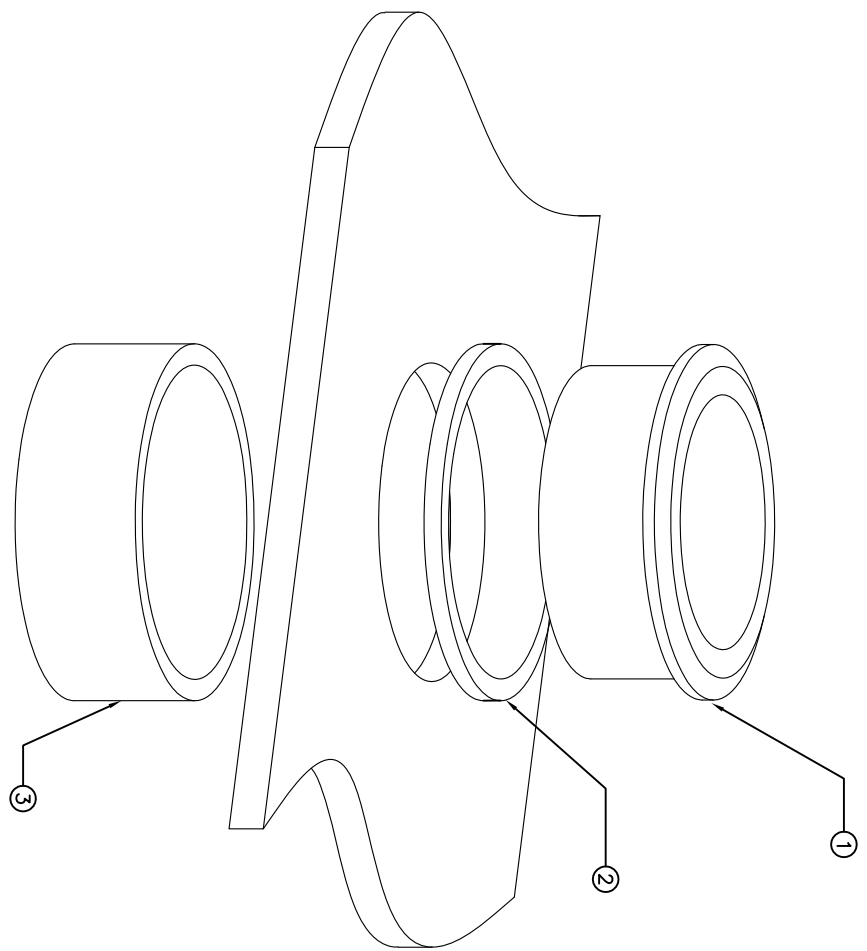


THIS DOCUMENT IS THE PROPERTY OF APDM COMPONENTS AND SHALL NOT BE COPIED, REPRODUCED, DISCLOSED OR USED AS THE BASIS FOR MANUFACTURING OR SALE WITHOUT PERMISSION OF A DULY AUTHORIZED REPRESENTATIVE OF APDM COMPONENTS INC.



HP**
 COLOR:
 00= CLEAR ANODIZED
 02= BLACK ANODIZED
 03= GREEN ANODIZED
 06= RED ANODIZED

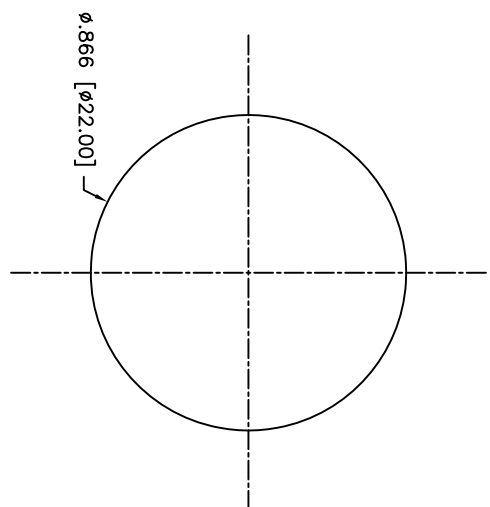
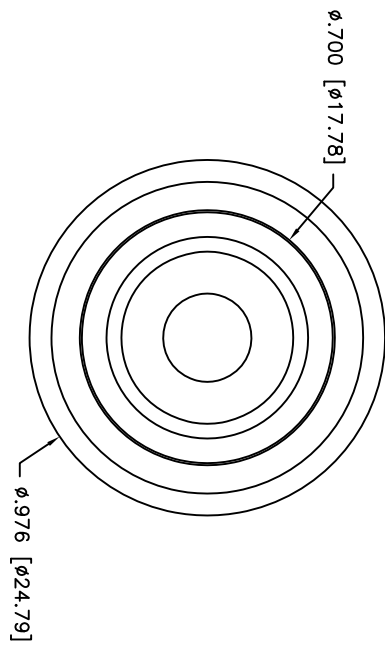
DATE	SYM	REVISION RECORD	DWNL	CK
3/09	B	ECO# 833	CD	PD

NUMBER	QTY.	DESCRIPTION	PART NUMBER
1	1	RECESSED SWITCH BEZEL	E0139P1
2	1	SEALING GASKET	26-0036
3	1	RECESSED SWITCH COLLAR	E0139P2

Q.A. INSPECT: Δ		DESIGNATES CRITICAL DIMENSION	
TOLERANCES (UNLESS OTHERWISE SPECIFIED) .XX = ±.02(0.5) .XXX = ±.008(0.20) .XXXX = ±.0008(0.02)		ANGLE = 40.5°	
APDM APDM COMPONENTS 63 Nork Rd. 01850 North Attleboro, MA 01939 Phone: 508-372-3534		PRN: CJD BR: PJD	
TITLE RECESSED PUSHBUTTON BEZEL		THIRD ANGLE PROJECTION	
DATE: 2/17/09		DRAWING NO.: HP**	
DO NOT SCALE DIMENSIONS		REV: B	

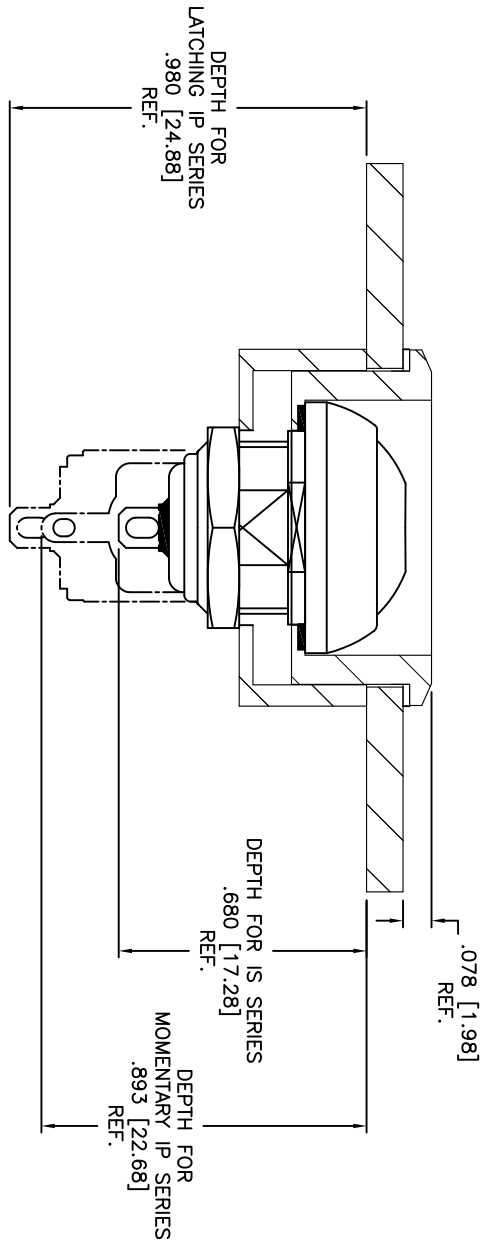
1 2 3 4 5 6 7 8

THIS DOCUMENT IS THE PROPERTY OF APDM COMPONENTS AND SHALL NOT BE COPIED, REPRODUCED, DISCLOSED OR USED AS THE BASIS FOR MANUFACTURING OR SALE WITHOUT PERMISSION OF A DULY AUTHORIZED REPRESENTATIVE OF APDM COMPONENTS INC.



RECOMMENDED PANEL CUT-OUT

NOTE:
MATERIAL: MACHINED ALUMINIUM



DATE	SYM	REVISION RECORD	DWN.	CK.

Q.A. INSPECT: DESIGNATES CRITICAL DIMENSION				63 Neck Rd. 01835 Hopkinton, MA Phone: 508-372-3554		DRN. CJD BR. OR. PJD	
TOLERANCES (UNLESS OTHERWISE SPECIFIED) .XX = ±.02 [0.5] .XXX = ±.008 [0.20] .XXXX = ±.0008 [0.02] ANGLE = 30.5°		TITLE RECESSED PUSHBUTTON BEZEL		SHEET SIZE SCALE 2 OF 2 B 3:1		THIRD ANGLE PROJECTION 	
DO NOT SCALE DIMENSIONS		DATE 2/17/09		DRAWING NO. HP**		REV B	

1 2 3 4 5 6 7 8

A B C D E