

MICRO SWITCH

FREEPORT ILLINOIS, U.S.A
A DIVISION OF HONEYWELL
FED. MFG. CODE 91929

ACTUATOR - SWITCH

CATALOG LISTING

JS-5

JS-5

M

DRAWING NUMBER

ISSUE

1816

REPLACES

RELEASE NO. SR-1368

CHECK

REVISIONS

A	NEW DWG C035725	D B W 23 JUL 75
B	C038560	J A L 13 JUN 77
C	C047771	C J H 17 MAY 80
D	C079303	D L T 7 MAR 95

CHECK

25 JULY 75

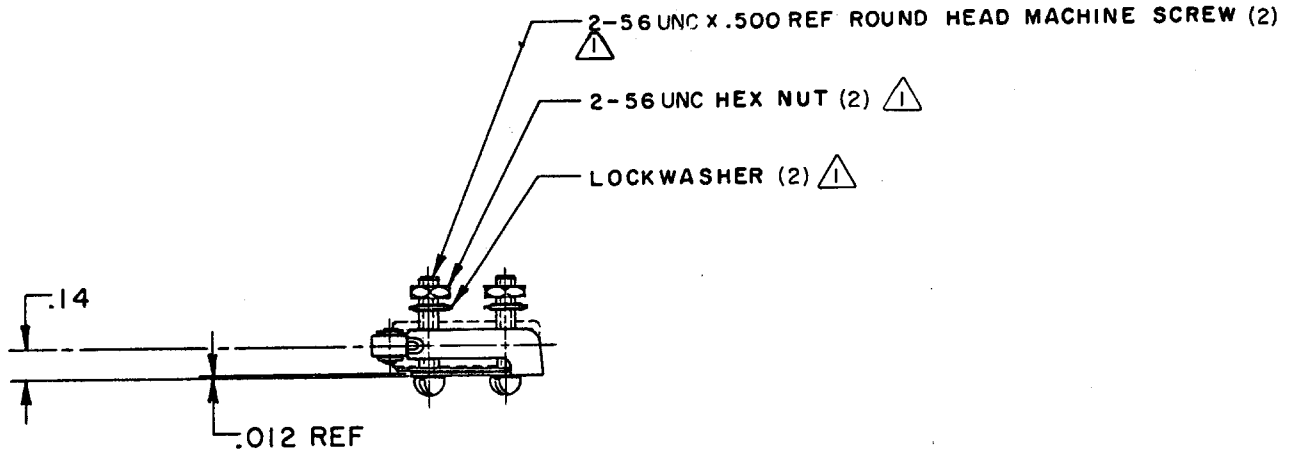
DRAW

75

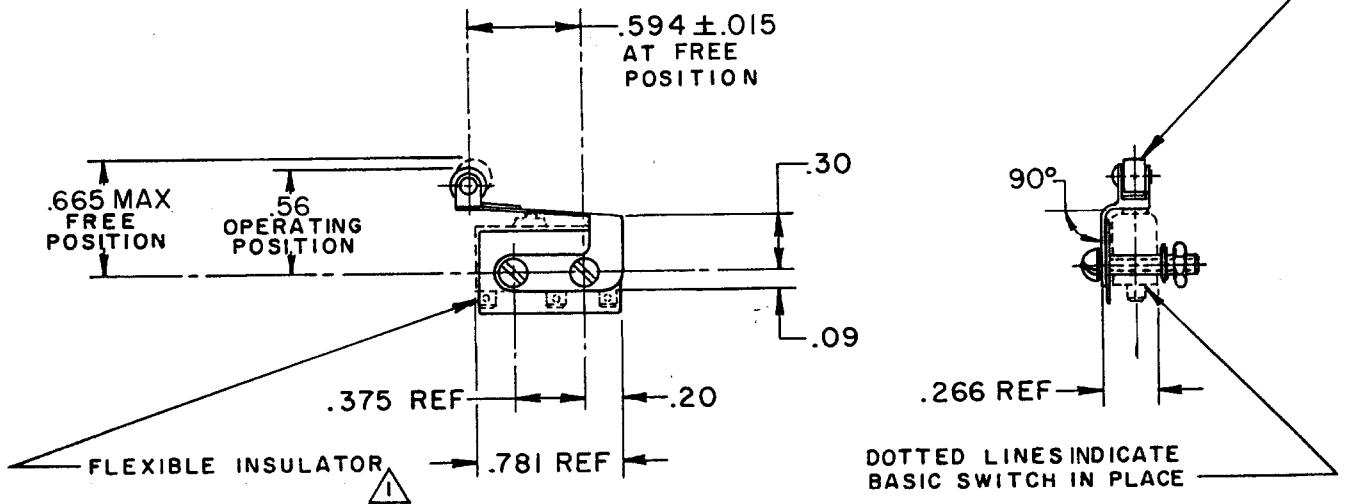
JUL

D B W23

FO-52848-A



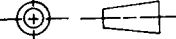
.19 DIA X .12 WIDE OIL BRONZE ROLLER
(CONCENTRICITY .005 T. I. R.)



NOTE -
 \triangle - FURNISHED UNASSEMBLED

THIS DRAWING COVERS A PROPRIETARY ITEM AND IS THE PROPERTY OF MICRO SWITCH, A DIVISION OF HONEYWELL. THIS DRAWING IS NOT TO BE COPIED OR USED WITHOUT THE APPROVAL OF MICRO SWITCH.

THIRD ANGLE PROJECTION



CHARACTERISTICS WITH ISMI SWITCH INSTALLED

OPERATING FORCE ----- 10 OZ MAX

RELEASE FORCE ----- 2 OZ MIN

PRETRAVEL ----- .078 MAX

DIFFERENTIAL TRAVEL ----- .015 MAX

OVERTRAVEL ----- .015 MIN

ELECTRICAL DATA

CONTACT ARRANGEMENT

SCALE FULL

DO NOT SCALE PRINT

TOLERANCES

APPLY TO DESIGN UNITS. CONVERSIONS ARE ONLY FOR REFERENCE. UNLESS NOTED, TOLERANCES ARE \pm

DIM.	TOL.	DIM.	TOL.
mm	mm/in	in	mm/in
NO PLACES	X	1/.04	
ONE PLACE	X.X	0.4/.018	X.X 0.8/.03
TWO PLACES	X.XX	0.15/.006	X.XX 0.38/.015
THREE PLACES	X.XXX		X.XXX 0.13/.005
ANGLES			2°

DESIGN UNITS SI METRIC US CUSTOMARY

WEIGHT