



**General data**

**LUMOTAST 25 pushbutton range**

- Illuminable pushbuttons and signal lamps. Please order lamps/LEDs separately.
- Mounting hole diameter: 16.2 mm
- 42 V/100 mA max.
- Water-jet proof IP65
- Low profile
- Lamp socket Bi-Pin T 1 for LEDs and filament lamps
- Keyed socket connector and flat ribbon cable or PCB plug-in socket
- Ring nut or click fixing method.

**Content**

<b>LUMOTAST 25 illuminated pushbutton</b>	<b>1 - 22</b>
LUMOTAST 25 illuminated pushbutton with flush lens, „Click“ quick-assembly feature	1 - 24
LUMOTAST 25 illuminated pushbutton with flush lens, ring nut fixing	1 - 24
LUMOTAST 25 illuminated pushbutton with protruding lens, „Click“ quick-assembly feature	1 - 25
LUMOTAST 25 illuminated pushbutton with protruding lens, ring nut fixing	1 - 25
LUMOTAST 25 illuminated pushbutton with protruding collar, „Click“ quick-assembly feature	1 - 26
LUMOTAST 25 illuminated pushbutton with protruding collar, ring nut fixing	1 - 26
<b>LUMOTAST 25 selector switch</b>	<b>1 - 28</b>
LUMOTAST 25 selector switch, „Click“ quick-assembly feature	1 - 29
LUMOTAST 25 selector switch, ring nut fixing	1 - 29
<b>LUMOTAST 25 keylock switch</b>	<b>1 - 30</b>
LUMOTAST 25 keylock switch	1 - 31
<b>LUMOTAST 25 emergency stop pushbutton</b>	<b>1 - 32</b>
LUMOTAST 25 emergency stop pushbutton, ring nut fixing	1 - 33
<b>LUMOTAST 25 signal lamp</b>	<b>1 - 34</b>
LUMOTAST 25 signal lamp, 24 V, „Click“ quick-assembly feature	1 - 36
LUMOTAST 25 signal lamp, 24 V, ring nut fixing	1 - 36

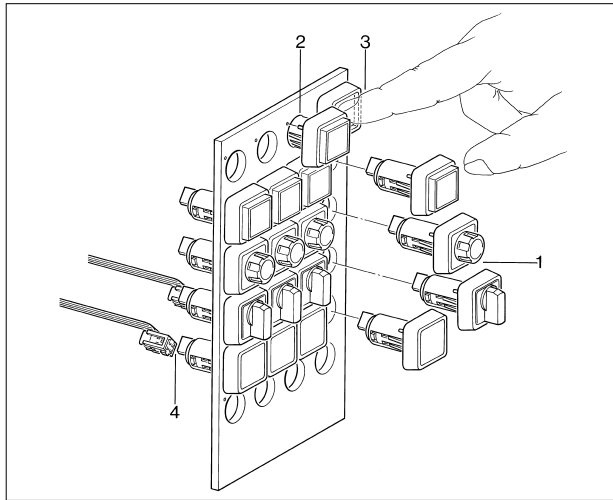
### Series LUMOTAST 25

16.2 mm mounting hole diameter

1

#### Design Click-Version

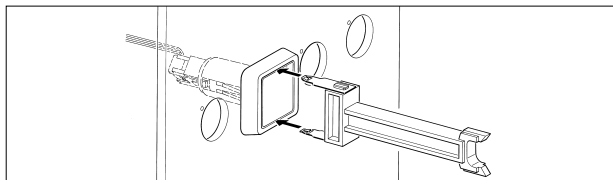
LUMO  
25



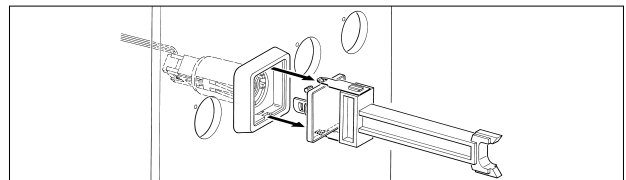
1. As delivered
2. Insert pushbutton in hole
3. Actuate once
4. Insert connector with flat-ribbon cable

#### Disassembly Click-Version

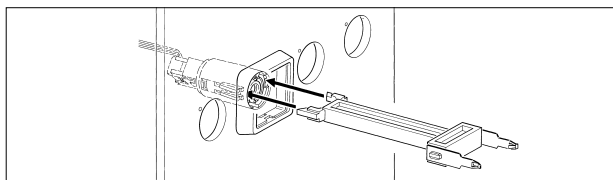
Click-Version from front (only for pushbuttons and signal lamps with special tool for dismantling)



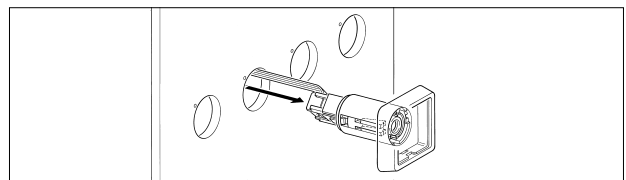
1. Grip body/lens



2. Pull out body/lens



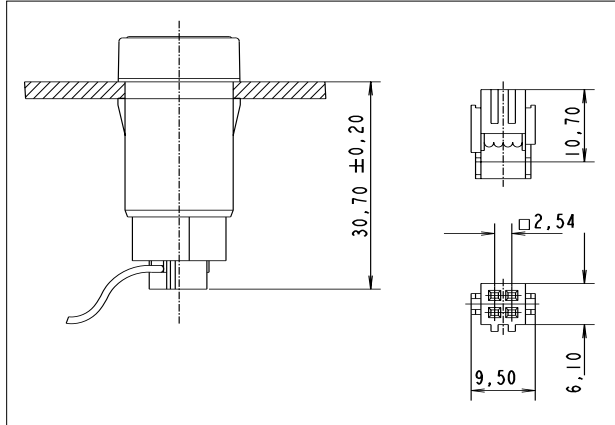
3. Release click lever



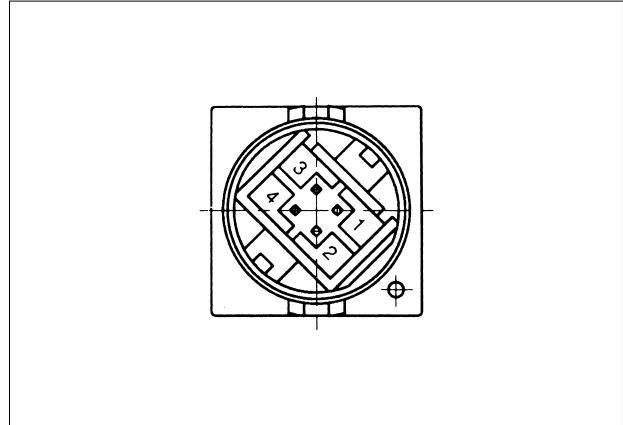
4. Pull out pushbutton/signal lamp with cable

Dimensional drawing

With quick connector and flat-ribbon cable



Connection diagram (PCB top view)

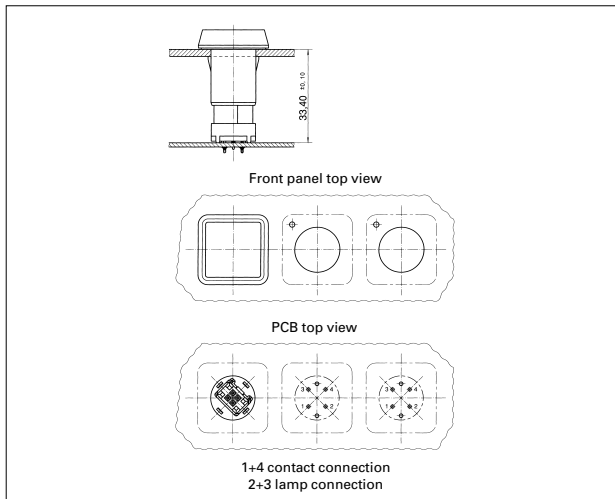


1 + 4 = pushbutton connection 2 + 3 = lamp connection

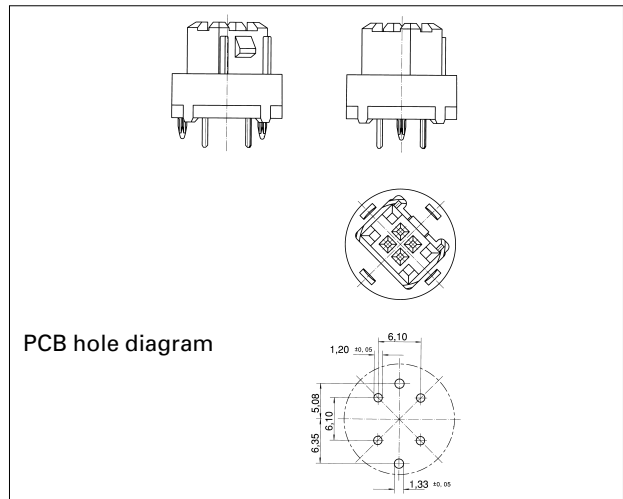
1

LUMO  
25

With plug-in socket



Plug-in socket for PCB



1

### LUMOTAST 25 illuminated pushbutton



### Technical data

LUMO  
25

#### General information

Form of lens see order block  
 Colour of lens see order block  
 Form of collar square

#### Dimensions

Length of collar 25 mm  
 Width of collar 25 mm  
 Overall height 7.1 mm  
 Mounting depth with connector 30.7 mm  
 Mounting depth with plug-in socket 33.4 mm  
 Mounting hole 16.2 mm

#### Mechanical design

Mounting see order block  
 Terminals pin connector 4-pol./ plug-in socket  
 Contact system snap-action contact  
 Contact function momentary  
 Contact arrangement 1 NO  
 Contact materials Au  
 Illuminability yes  
 Lamp socket Bi-Pin T 1/T 1¼

#### Mechanical characteristics

Operating force max. 6 N  
 Operating travel 3 mm  
 Switching travel 2 mm  
 Robustness min. 100 N

#### Electrical characteristics

Rated voltage AC/DC max. 42 V  
 Rated voltage AC/DC min. 0.02 V  
 Rated current AC/DC max. 100 mA  
 Rated current AC/DC min. 0.01 mA  
 Contact resistance max. 100 mΩ  
 Bouncing time max. 5 ms

#### Other specifications

Operating life (operations) 1000000  
 Degree of protection from front side IP65  
 Ambient temp. operating without lamp min. -25 °C  
 Ambient temp. operating without lamp max. +70 °C  
 Ambient temp. operating with lamp min. -25 °C  
 Ambient temp. operating with lamp max. +55 °C  
 Storage temperature min. -40 °C  
 Storage temperature max. +80 °C  
 Resistance to constant environment acc. to IEC 600 68-2-3 and 2-30  
 Resistance at variable environment acc. to IEC 600 68-2-14 and 2-33  
 Weight 7 g

### Accessories LUMOTAST 25 illuminated pushbutton

Description	Photo	Order no.	Page
Filament lamp, Bi-Pin T 1¼ base, 12 V		<b>1.90.180.474/0000</b>	5 - 5
Filament lamp, Bi-Pin T 1¼ base, 28 V		<b>1.90.180.475/0000</b>	5 - 5
LED Bi-Pin T 1 superbright, red, 24 V		<b>1.90.690.351/0000</b>	5 - 18

**Accessories LUMOTAST 25 illuminated pushbutton**

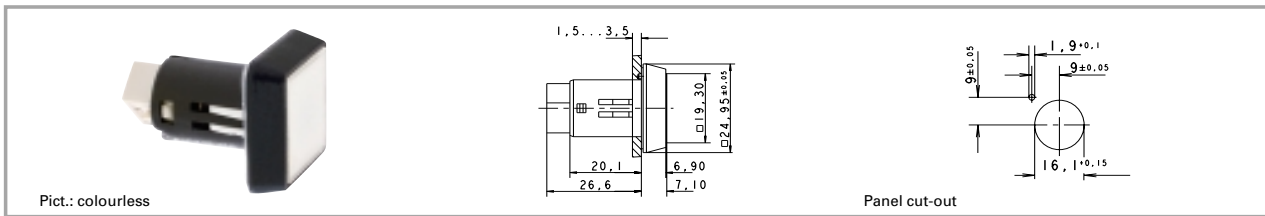
Description	Photo	Order no.	Page
LED Bi-Pin T 1 superbright, green, 24 V		<b>1.90.690.352/0000</b>	5 - 18
LED Bi-Pin T 1 superbright, yellow, 24 V		<b>1.90.690.353/0000</b>	5 - 18
LED Bi-Pin T 1 superbright, blue, 24 V		<b>1.90.690.354/0000</b>	5 - 18
LED Bi-Pin T 1 superbright, white, 24 V		<b>1.90.690.355/0000</b>	5 - 18
LED Bi-Pin T 1, red, 3 V		<b>1.90.691.026/0000</b>	5 - 17
LED Bi-Pin T 1, green, 3 V		<b>1.90.691.027/0000</b>	5 - 17
LED Bi-Pin T 1, yellow, 3 V		<b>1.90.691.028/0000</b>	5 - 17
Plug-in socket for PCB		<b>5.00.645.036/0000</b>	5 - 28
Cable (flat ribbon cable 10 cm with socket connector and male quick connector, AMP 4-pin)		<b>5.03.771.306/0000</b>	5 - 27
Disassembly tool for LUMOTAST 25, RAFIX 16		<b>5.05.800.042/0000</b>	5 - 26
Blanking cap complete with sealing disc and ring nut, square		<b>5.05.800.049/0100</b>	5 - 33
Label holder, flush, for square collar		5.07.620.004/0000	2 - 76
Flat ribbon cable, 4-wire, 1 m long		5.37.700.124/0000	5 - 27
Fixing spanner M 15, M 16		<b>5.58.002.019/0105</b>	5 - 25
Legend insert for illuminated versions		5.70.635.000/2000	
Legend label 23 x 16 for label holder, without legend		5.73.111.000/0000	2 - 76
Socket connector, 4-pin		<b>5.92.025.368/0000</b>	5 - 26

1

LUMO  
25

1

### LUMOTAST 25 illuminated pushbutton with flush lens, "Click" quick-assembly feature



Contact function	Contact arrangement	Colour of lens	Order no. complete	Order no. single parts	
				Housing	Lens
momentary	1 NO	transparent colourless	1.15.150.006/1002	<b>1.15.150.506/0000</b>	<b>5.49.077.011/1002</b>
momentary	1 NO	transparent red	1.15.150.006/1306	<b>1.15.150.506/0000</b>	<b>5.49.077.011/1306</b>
momentary	1 NO	transparent yellow	1.15.150.006/1403	<b>1.15.150.506/0000</b>	<b>5.49.077.011/1403</b>
momentary	1 NO	transparent green	1.15.150.006/1505	<b>1.15.150.506/0000</b>	<b>5.49.077.011/1505</b>
momentary	1 NO	transparent blue	1.15.150.006/1607	<b>1.15.150.506/0000</b>	<b>5.49.077.011/1607</b>

Technical data see page 1 - 22

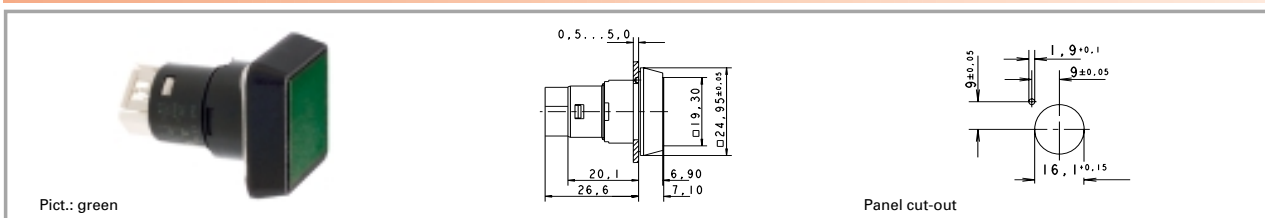
**Accessories:**

Legend insert for illuminated versions: 5.70.635.000/2000

Note when using LEDs: A notch on the lamp socket identifies the cathode side.

LUMO  
25

### LUMOTAST 25 illuminated pushbutton with flush lens, ring nut fixing



Contact function	Contact arrangement	Colour of lens	Order no. complete	Order no. single parts	
				Housing	Lens
momentary	1 NO	transparent colourless	1.15.150.056/1002	<b>1.15.150.556/0000</b>	<b>5.49.077.011/1002</b>
momentary	1 NO	transparent red	1.15.150.056/1306	<b>1.15.150.556/0000</b>	<b>5.49.077.011/1306</b>
momentary	1 NO	transparent yellow	1.15.150.056/1403	<b>1.15.150.556/0000</b>	<b>5.49.077.011/1403</b>
momentary	1 NO	transparent green	1.15.150.056/1505	<b>1.15.150.556/0000</b>	<b>5.49.077.011/1505</b>
momentary	1 NO	transparent blue	1.15.150.056/1607	<b>1.15.150.556/0000</b>	<b>5.49.077.011/1607</b>

Technical data see page 1 - 22

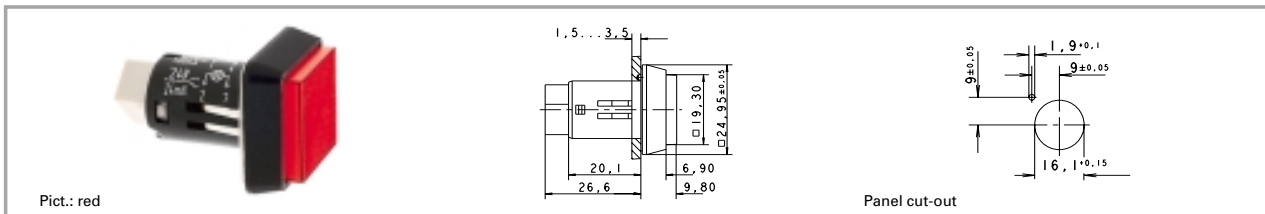
**Accessories:**

Legend insert for illuminated versions: 5.70.635.000/2000

Note when using LEDs: A notch on the lamp socket identifies the cathode side.

# LUMOTAST 25

## LUMOTAST 25 illuminated pushbutton with protruding lens, "Click" quick-assembly feature



Contact function	Contact arrangement	Colour of lens	Order no. complete	Order no. single parts	
				Housing	Lens
momentary	1 NO	transparent colourless	1.15.150.106/1002	1.15.150.606/0000	<b>5.49.077.012/1002</b>
momentary	1 NO	transparent red	1.15.150.106/1306	1.15.150.606/0000	<b>5.49.077.012/1306</b>
momentary	1 NO	transparent yellow	1.15.150.106/1403	1.15.150.606/0000	<b>5.49.077.012/1403</b>
momentary	1 NO	transparent green	1.15.150.106/1505	1.15.150.606/0000	<b>5.49.077.012/1505</b>
momentary	1 NO	transparent blue	1.15.150.106/1607	1.15.150.606/0000	<b>5.49.077.012/1607</b>

Technical data see page 1 - 22

### Accessories:

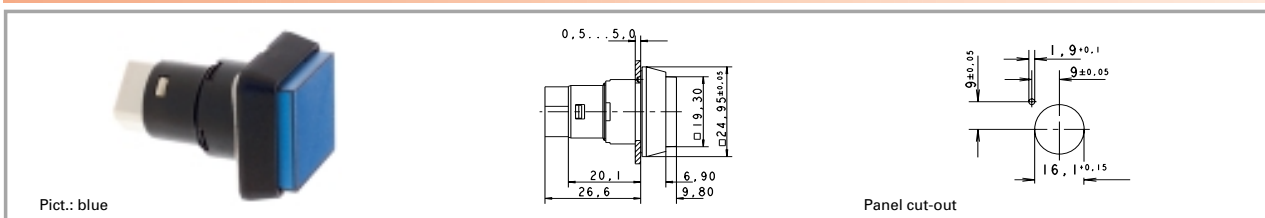
Legend insert for illuminated versions: 5.70.635.000/2000

Note when using LEDs: A notch on the lamp socket identifies the cathode side.

1

LUMO  
25

## LUMOTAST 25 illuminated pushbutton with protruding lens, ring nut fixing



Contact function	Contact arrangement	Colour of lens	Order no. complete	Order no. single parts	
				Housing	Lens
momentary	1 NO	transparent colourless	1.15.150.156/1002	1.15.150.656/0000	<b>5.49.077.012/1002</b>
momentary	1 NO	transparent red	1.15.150.156/1306	1.15.150.656/0000	<b>5.49.077.012/1306</b>
momentary	1 NO	transparent yellow	1.15.150.156/1403	1.15.150.656/0000	<b>5.49.077.012/1403</b>
momentary	1 NO	transparent green	1.15.150.156/1505	1.15.150.656/0000	<b>5.49.077.012/1505</b>
momentary	1 NO	transparent blue	1.15.150.156/1607	1.15.150.656/0000	<b>5.49.077.012/1607</b>

Technical data see page 1 - 22

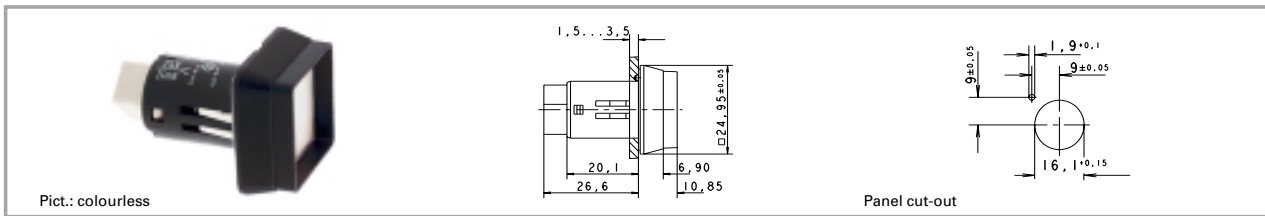
### Accessories:

Legend insert for illuminated versions: 5.70.635.000/2000

Note when using LEDs: A notch on the lamp socket identifies the cathode side.

1

### LUMOTAST 25 illuminated pushbutton with protruding collar, "Click" quick-assembly feature



Contact function	Contact arrangement	Colour of lens	Order no. complete	Order no. single parts	
				Housing	Lens
momentary	1 NO	transparent colourless	1.15.150.206/1002	1.15.150.706/0000	<b>5.49.077.011/1002</b>
momentary	1 NO	transparent red	1.15.150.206/1306	1.15.150.706/0000	<b>5.49.077.011/1306</b>
momentary	1 NO	transparent yellow	1.15.150.206/1403	1.15.150.706/0000	<b>5.49.077.011/1403</b>
momentary	1 NO	transparent green	1.15.150.206/1505	1.15.150.706/0000	<b>5.49.077.011/1505</b>
momentary	1 NO	transparent blue	1.15.150.206/1607	1.15.150.706/0000	<b>5.49.077.011/1607</b>

Technical data see page 1 - 22

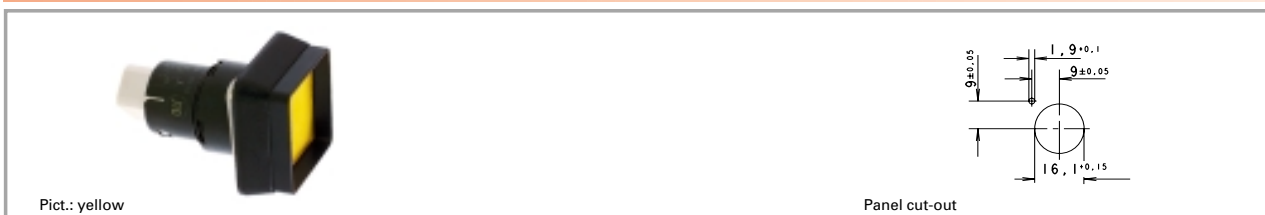
**Accessories:**

Legend insert for illuminated versions: 5.70.635.000/2000

Note when using LEDs: A notch on the lamp socket identifies the cathode side.

LUMO  
25

### LUMOTAST 25 illuminated pushbutton with protruding collar, ring nut fixing



Contact function	Contact arrangement	Colour of lens	Order no. complete	Order no. single parts	
				Housing	Lens
momentary	1 NO	transparent colourless	1.15.150.256/1002	1.15.150.756/0000	<b>5.49.077.011/1002</b>
momentary	1 NO	transparent red	1.15.150.256/1306	1.15.150.756/0000	<b>5.49.077.011/1306</b>
momentary	1 NO	transparent yellow	1.15.150.256/1403	1.15.150.756/0000	<b>5.49.077.011/1403</b>
momentary	1 NO	transparent green	1.15.150.256/1505	1.15.150.756/0000	<b>5.49.077.011/1505</b>
momentary	1 NO	transparent blue	1.15.150.256/1607	1.15.150.756/0000	<b>5.49.077.011/1607</b>

Technical data see page 1 - 22

**Accessories:**

Legend insert for illuminated versions: 5.70.635.000/2000

Note when using LEDs: A notch on the lamp socket identifies the cathode side.



1

### LUMOTAST 25 selector switch



### Technical data

LUMO  
25

#### General information

Form of lens	handle
Colour of handle	black opaque
Form of collar	square

#### Dimensions

Length of collar	25 mm
Width of collar	25 mm
Overall height	17 mm
Mounting depth with connector	30.7 mm
Mounting depth with plug-in socket	33.4 mm
Mounting hole	16.2 mm

#### Mechanical design

Mounting	see order block
Terminals	pin connector 4-pol./ plug-in socket
Contact system	snap-action contact
Contact function	see order block
Contact arrangement	1 NO
Contact materials	Au
Illuminability	no

#### Mechanical characteristics

Operating force min.	0.03 Nm
Rotating angle	see order block
Robustness max.	1.5 Nm

#### Electrical characteristics

Rated voltage AC/DC max.	42 V
Rated voltage AC/DC min.	0.02 V
Rated current AC/DC max.	100 mA
Rated current AC/DC min.	0.01 mA
Contact resistance max.	100 mΩ
Bouncing time max.	5 ms

#### Other specifications

Operating life (operations)	500000
Degree of protection from front side	IP65
Ambient temp. operating min.	-25 °C
Ambient temp. operating max.	+70 °C
Storage temperature min.	-40 °C
Storage temperature max.	+80 °C
Resistance to constant environment	according to IEC 600 68-2-3 and 2-30
Resistance at variable environment	according to IEC 600 68-2-14 and 2-33
Weight	8 g

### Accessories LUMOTAST 25 selector switch

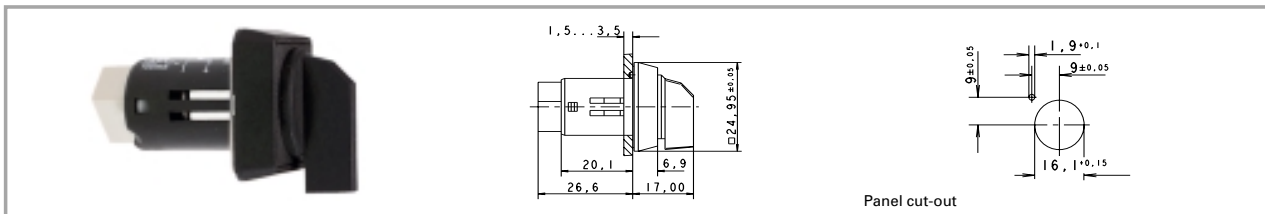
Description	Photo	Order no.	Page
Plug-in socket for PCB		<b>5.00.645.036/0000</b>	5 - 28
Cable (flat ribbon cable 10 cm with socket connector and male quick connector, AMP 4-pin)		<b>5.03.771.306/0000</b>	5 - 27
Blanking cap complete with sealing disc and ring nut, square		<b>5.05.800.049/0100</b>	5 - 33
Label holder, flush, for square collar		5.07.620.004/0000	2 - 76

**Accessories LUMOTAST 25 selector switch**

Description	Photo	Order no.	Page
Flat ribbon cable, 4-wire, 1 m long		5.37.700.124/0000	5 - 27
Fixing spanner M 15, M 16		<b>5.58.002.019/0105</b>	5 - 25
Socket connector, 4-pin		<b>5.92.025.368/0000</b>	5 - 26

1

**LUMOTAST 25 selector switch, "Click" quick-assembly feature**

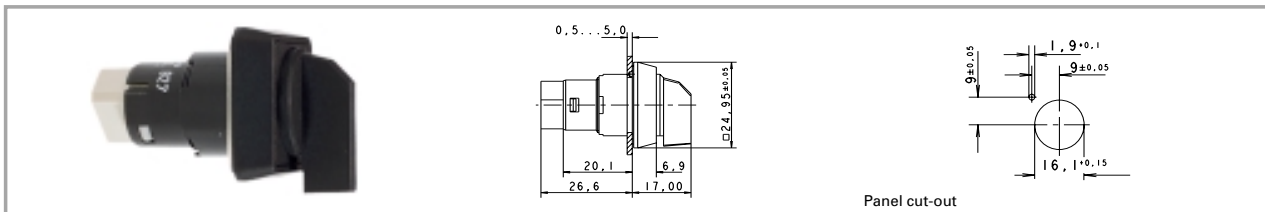


LUMO  
25

Contact arrangement	Contact function	Rotating angle	Form of lens	Order no. complete
1 NO	latching	right, 1 x 90°	handle	1.15.153.100/0100

Technical data see page 1 - 28

**LUMOTAST 25 selector switch, ring nut fixing**



Contact arrangement	Contact function	Rotating angle	Form of lens	Order no. complete
1 NO	latching	right, 1 x 90°	handle	1.15.153.106/0100

Technical data see page 1 - 28

1

### LUMOTAST 25 keylock switch



Panel cut-out

### Technical data

LUMO  
25

#### General information

Colour of lens black opaque  
Form of collar square

#### Dimensions

Length of collar 25 mm  
Width of collar 25 mm  
Overall height 32.3 mm  
Mounting depth with connector 30.7 mm  
Mounting depth with plug-in socket 33.4 mm  
Mounting hole 16.2 mm

#### Mechanical design

Mounting ring nut  
Terminals pin connector 4-pol./ plug-in socket  
Contact system snap-action contact  
Contact function latching  
Contact arrangement 1 NO  
Contact materials Au  
Illuminability no  
Lamp socket no  
Lock cylinder lock  
Wafers 8 pins  
Lock type 5201  
Number of locking positions 10000  
Main key yes  
Symmetric key yes  
Key removal position see order block

#### Mechanical characteristics

Operating force max. 1.5 Nm  
Rotating angle 90°

#### Electrical characteristics

Rated voltage AC/DC max. 42 V  
Rated voltage AC/DC min. 0.02 V  
Rated current AC/DC max. 100 mA  
Rated current AC/DC min. 0.01 mA  
Contact resistance max. 100 mΩ  
Bouncing time max. 5 ms

#### Other specifications

Operating life (operations) 50000  
Degree of protection from front side IP65  
Ambient temp. operating min. -25 °C  
Ambient temp. operating max. +70 °C  
Storage temperature min. -40 °C  
Storage temperature max. +80 °C  
Resistance to constant environment according to IEC 600 68-2-3 and 2-30  
Resistance at variable environment according to IEC 600 68-2-14 and 2-33  
Weight 20 g

### Accessories LUMOTAST 25 keylock switch

Description	Photo	Order no.	Page
Plug-in socket for PCB		<b>5.00.645.036/0000</b>	5 - 28
Cable (flat ribbon cable 10 cm with socket connector and male quick connector, AMP 4-pin)		<b>5.03.771.306/0000</b>	5 - 27
Blanking cap complete with sealing disc and ring nut, square		<b>5.05.800.049/0100</b>	5 - 33

# LUMOTAST 25

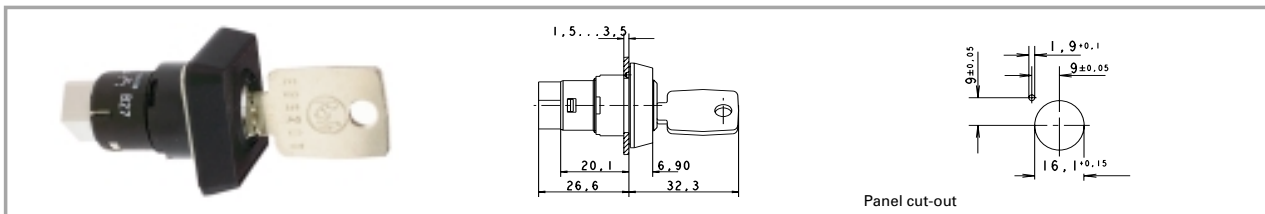
## Accessories LUMOTAST 25 keylock switch

Description	Photo	Order no.	Page
Label holder, flush, for square collar		5.07.620.004/0000	2 - 76
Flat ribbon cable, 4-wire, 1 m long		5.37.700.124/0000	5 - 27
Fixing spanner M 15, M 16		<b>5.58.002.019/0105</b>	5 - 25
Spare key		5.58.015.201/0000	
Legend label 23 x 16 for label holder, without legend		5.73.111.000/0000	2 - 76
Socket connector, 4-pin		<b>5.92.025.368/0000</b>	5 - 26

1

LUMO  
25

## LUMOTAST 25 keylock switch



Contact arrangement	Contact function	Rotating angle	Key removal position	Colour of lens	Order no. complete
1 NO	latching	90°		black opaque	<b>1.15.156.001/0000</b>
1 NO	latching	90°		black opaque	<b>1.15.156.011/0000</b>

Technical data see page 1 - 30

Included: 2 keys.

1

### LUMOTAST 25 emergency stop pushbutton



Pict.: black collar

Panel cut-out

### Technical data

LUMO  
25

#### General information

Colour of lens	opaque red
Form of collar	square
Colour of collar	see order block

#### Dimensions

Length of collar	25 mm
Width of collar	25 mm
Overall height	18.5 mm
Mounting depth with connector	30.7 mm
Mounting depth with plug-in socket	33.4 mm
Mounting hole	16.2 mm

#### Mechanical design

Mounting	ring nut
Terminals	pin connector 4-pol./ plug-in socket
Contact system	snap-action contact
Contact function	latching
Contact arrangement	2 NC (forcibly actuated)
Contact materials	Au
Illuminability	no

#### Mechanical characteristics

Operating force max.	10 N
Operating travel	2.6 mm
Switching travel	2 mm
Robustness min.	100 N

#### Electrical characteristics

Rated voltage AC/DC max.	25 V
Rated voltage AC/DC min.	0.02 V
Rated current AC/DC max.	1 A , 100 mA rated current
Rated current AC/DC min.	0.01 mA
Contact resistance max.	100 mΩ
Bouncing time max.	10 ms

#### Other specifications

Operating life	15000
Degree of protection from front side	IP65
Ambient temp. operating min.	-25 °C
Ambient temp. operating max.	+70 °C
Storage temperature min.	-40 °C
Storage temperature max.	+80 °C
Resistance to constant environment	according to IEC 600 68-2-3 and 2-30
Resistance at variable environment	according to IEC 600 68-2-14 and 2-33
Weight	9 g
Approvals	TÜV/UL according to EN 60947-5-5 and -5-1/A2, UL 508

### Accessories LUMOTAST 25 emergency stop pushbutton

Description	Photo	Order no.	Page
Plug-in socket for PCB		<b>5.00.645.036/0000</b>	5 - 28
Cable (flat ribbon cable 10 cm with socket connector and male quick connector, AMP 4-pin)		<b>5.03.771.306/0000</b>	5 - 27
Blanking cap complete with sealing disc and ring nut, square		<b>5.05.800.049/0100</b>	5 - 33
Label holder, flush, for square collar		5.07.620.004/0000	2 - 76

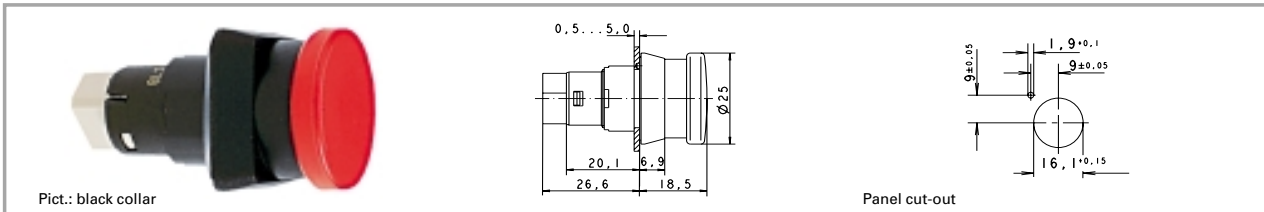
**Accessories LUMOTAST 25 emergency stop pushbutton**

Description	Photo	Order no.	Page
Flat ribbon cable, 4-wire, 1 m long		5.37.700.124/0000	5 - 27
Fixing spanner M 15, M 16		<b>5.58.002.019/0105</b>	5 - 25
Legend label 23 x 16 for label holder, without legend		5.73.111.000/0000	2 - 76
Emergency stop label, yellow, adhesive, round 60 mm, without legend		5.76.204.425/0400	
Emergency stop label, yellow, adhesive, round 60 mm, with legend "NOT-AUS"		5.76.204.426/0400	
Emergency stop label, yellow, adhesive, round 60 mm, with legend "ARRET-D'URGENCE"		5.76.204.427/0400	
Emergency stop label, yellow, adhesive, round 60 mm, with legend "EMERGENCY-STOP"		5.76.204.428/0400	
Emergency stop label, yellow, adhesive, round 60 mm, with legend "ARRESTO-D'EMERGENZA"		5.76.204.429/0400	
Socket connector, 4-pin		<b>5.92.025.368/0000</b>	5 - 26

1

LUMO  
25

**LUMOTAST 25 emergency stop pushbutton, ring nut fixing**



Contact function	Contact arrangement	Colour of collar	Order no. complete	Order no. single parts	
				Housing	Lens
latching	2 NC (forcibly actuated)	black	<b>1.15.154.006/0301</b>		
latching	2 NC (forcibly actuated)	yellow	<b>1.15.154.016/0301</b>		

Technical data see page 1 - 32

1

### LUMOTAST 25 signal lamp



Pict.: red

Panel cut-out

### Technical data

LUMO  
25

#### General information

Form of lens square  
Colour of lens see order block

#### Dimensions

Length of collar 25 mm  
Width of collar 25 mm  
Overall height 9.8 mm  
Mounting depth with connector 30.7 mm  
Mounting depth with plug-in socket 33.4 mm  
Mounting hole 16.2 mm

#### Mechanical design

Mounting see order block  
Terminals pin connector 4-pol./  
plug-in socket  
Lamp socket Bi-Pin T 1/T 1¼  
Lamp filament lamp/LED

#### Electrical characteristics

Voltage limit max. 24 V  
Power limit max. 0,7 W

#### Other specifications

Degree of protection from front side IP65  
Weight 7 g  
Ambient temp. operating min. -25 °C  
Ambient temp. operating max. +70 °C  
Storage temperature min. -40 °C  
Storage temperature max. +80 °C

### Accessories LUMOTAST 25 signal lamp

Description	Photo	Order no.	Page
Filament lamp, Bi-Pin T 1¼ base, 12 V		<b>1.90.180.474/0000</b>	5 - 5
Filament lamp, Bi-Pin T 1¼ base, 28 V		<b>1.90.180.475/0000</b>	5 - 5
LED Bi-Pin T 1 superbright, red, 24 V		<b>1.90.690.351/0000</b>	5 - 18
LED Bi-Pin T 1 superbright, green, 24 V		<b>1.90.690.352/0000</b>	5 - 18
LED Bi-Pin T 1 superbright, yellow, 24 V		<b>1.90.690.353/0000</b>	5 - 18
LED Bi-Pin T 1 superbright, blue, 24 V		<b>1.90.690.354/0000</b>	5 - 18
LED Bi-Pin T 1 superbright, white, 24 V		<b>1.90.690.355/0000</b>	5 - 18
LED Bi-Pin T 1, red, 3 V		<b>1.90.691.026/0000</b>	5 - 17

**Accessories LUMOTAST 25 signal lamp**

Description	Photo	Order no.	Page
LED Bi-Pin T 1, green, 3 V		<b>1.90.691.027/0000</b>	5 - 17
LED Bi-Pin T 1, yellow, 3 V		<b>1.90.691.028/0000</b>	5 - 17
Plug-in socket for PCB		<b>5.00.645.036/0000</b>	5 - 28
Cable (flat ribbon cable 10 cm with socket connector and male quick connector, AMP 4-pin)		<b>5.03.771.306/0000</b>	5 - 27
Disassembly tool for LUMOTAST 25, RAFIX 16		<b>5.05.800.042/0000</b>	5 - 26
Blanking cap complete with sealing disc and ring nut, square		<b>5.05.800.049/0100</b>	5 - 33
Label holder, flush, for square collar		5.07.620.004/0000	2 - 76
Flat ribbon cable, 4-wire, 1 m long		5.37.700.124/0000	5 - 27
Fixing spanner M 15, M 16		<b>5.58.002.019/0105</b>	5 - 25
Legend insert for illuminated versions		5.70.635.000/2000	
Legend label 23 x 16 for label holder, without legend		5.73.111.000/0000	2 - 76
Socket connector, 4-pin		<b>5.92.025.368/0000</b>	5 - 26

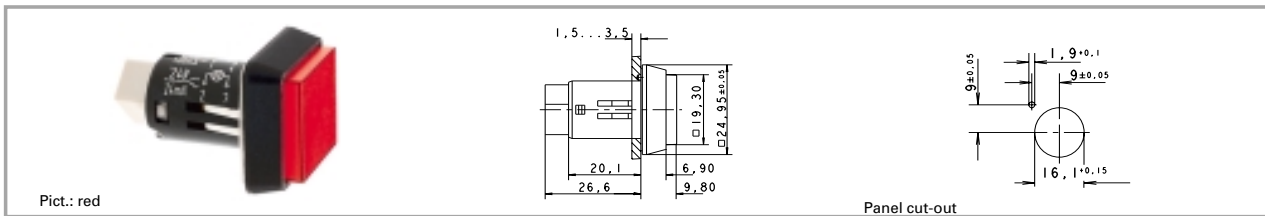
1

LUMO  
25



1

### LUMOTAST 25 signal lamp, 24 V, „Click“ quick-assembly feature



Voltage limit max.	Power limit max.	Lamp socket	Colour of lens	Order no. complete	Order no. single parts	
					Housing	Lens
24 V	0.7 W	Bi-Pin T 1/T 1 <sup>1</sup> / <sub>4</sub>	transparent colourless	1.65.122.006/1002	1.65.122.906/0000	5.49.077.014/1002
24 V	0.7 W	Bi-Pin T 1/T 1 <sup>1</sup> / <sub>4</sub>	transparent red	1.65.122.006/1306	1.65.122.906/0000	5.49.077.014/1306
24 V	0.7 W	Bi-Pin T 1/T 1 <sup>1</sup> / <sub>4</sub>	transparent yellow	1.65.122.006/1403	1.65.122.906/0000	5.49.077.014/1403
24 V	0.7 W	Bi-Pin T 1/T 1 <sup>1</sup> / <sub>4</sub>	transparent green	1.65.122.006/1505	1.65.122.906/0000	5.49.077.014/1505
24 V	0.7 W	Bi-Pin T 1/T 1 <sup>1</sup> / <sub>4</sub>	transparent blue	1.65.122.006/1607	1.65.122.906/0000	5.49.077.014/1607

Technical data see page 1 - 34

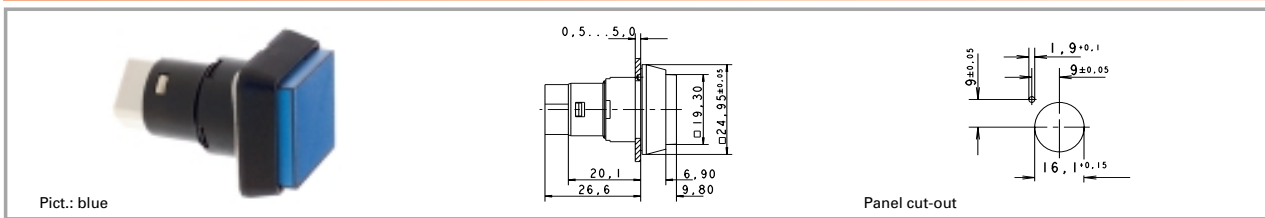
**Accessories:**

Legend insert for illuminated versions: 5.70.635.000/2000

Do not press in lens in disassembled condition. Note when using a LED: A notch on the lamp identifies the cathode side.

LUMO  
25

### LUMOTAST 25 signal lamp, 24 V, ring nut fixing



Voltage limit max.	Power limit max.	Lamp socket	Colour of lens	Order no. complete	Order no. single parts	
					Housing	Lens
24 V	0.7 W	Bi-Pin T 1/T 1 <sup>1</sup> / <sub>4</sub>	transparent colourless	1.65.122.056/1002	1.65.122.956/0000	5.49.077.014/1002
24 V	0.7 W	Bi-Pin T 1/T 1 <sup>1</sup> / <sub>4</sub>	transparent red	1.65.122.056/1306	1.65.122.956/0000	5.49.077.014/1306
24 V	0.7 W	Bi-Pin T 1/T 1 <sup>1</sup> / <sub>4</sub>	transparent yellow	1.65.122.056/1403	1.65.122.956/0000	5.49.077.014/1403
24 V	0.7 W	Bi-Pin T 1/T 1 <sup>1</sup> / <sub>4</sub>	transparent green	1.65.122.056/1505	1.65.122.956/0000	5.49.077.014/1505
24 V	0.7 W	Bi-Pin T 1/T 1 <sup>1</sup> / <sub>4</sub>	transparent blue	1.65.122.056/1607	1.65.122.956/0000	5.49.077.014/1607

Technical data see page 1 - 34

**Accessories:**

Legend insert for illuminated versions: 5.70.635.000/2000

Do not press in lens in disassembled condition. Note when using LED: A notch on the lamp socket identifies the cathode side.