

**MICRO SWITCH**  
A DIVISION OF MINNEAPOLIS-HONEYWELL REGULATOR COMPANY  
 MADISON, WISCONSIN

**ACTUATOR - SWITCH**

CATALOG LISTING  
**JX - 44**

FED. MFR. CODE 91929

JX-44

REPLACES

RELEASE NO. SR-10742

M

DRAWING NUMBER

ISSUE  
 X 8  
 X 8  
 X 8

CHECK

REVISIONS

A	CO15829	M B F	17 APRIL 61
B	SR-10742	R E R	18 JAN 63
C	CO22579	O M W	1 MAY 67
D	CO23793	W E B	6 FEB 68
E	CO22579	M B S	13 APR 68
F	CO30270	S R H	29 FEB 72
G	CO82929	D L T	13 MAY 96

CHECK

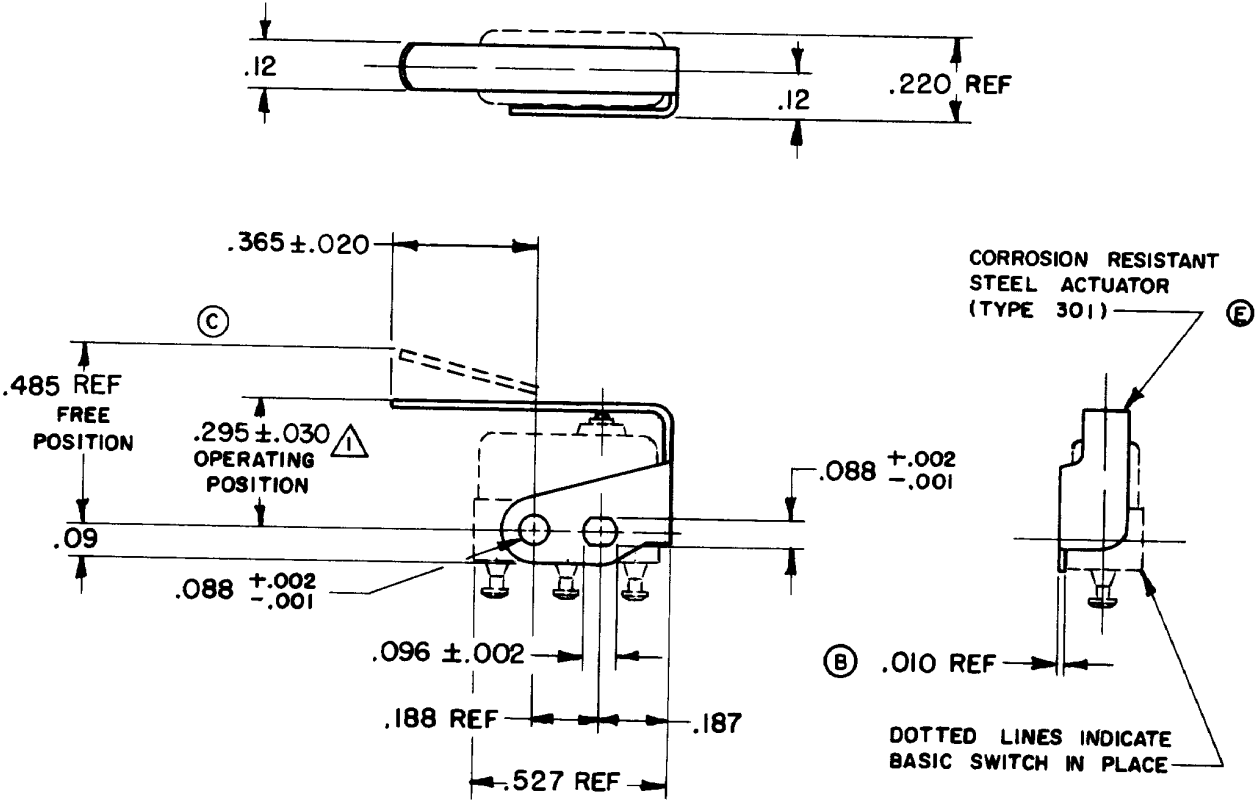
CHECK

CHECK

CHECK

CHECK

CHECK



CORROSION RESISTANT  
 STEEL ACTUATOR  
 (TYPE 301) (E)

DOTTED LINES INDICATE  
 BASIC SWITCH IN PLACE

NOTE -  
 ⚠️ SLIGHT ROTATION BETWEEN BASIC AND ACTUATOR MAY BE NECESSARY  
 TO OBTAIN OPERATING POSITION, BASED ON USING  
 NO. 2-56 MACHINE SCREWS

THIS DRAWING COVERS A PROPRIETARY ITEM AND IS THE PROPERTY OF MICRO SWITCH, A DIVISION OF MINNEAPOLIS-HONEYWELL REGULATOR CO. THIS DRAWING IS NOT TO BE COPIED OR USED WITHOUT THE APPROVAL OF MICRO SWITCH.

CHARACTERISTICS WITH ISX1-T BASIC SWITCH INSTALLED
OPERATING FORCE — — — — — 7 OZ MAX
RELEASE FORCE — — — — — 2 OZ MIN
DIFFERENTIAL TRAVEL — — — — .025 MAX
OVERTRAVEL — — — — — .015 MIN

ELECTRICAL DATA	
CONTACT ARRANGEMENT	BREAK DISTANCE

SCALE 2 TO 1  
 DO NOT SCALE PRINT  
 UNLESS OTHERWISE SPECIFIED  
 DIMENSIONS ARE IN INCHES  
**TOLERANCES ARE:**  
 ONE PLACE (.0) ± .030  
 TWO PLACE (.00) ± .015  
 THREE PLACE (.000) ± .008  
 ANGLES ±  
 WEIGHT

FC-50378

DRAWN

K L B

29 AUG 60

CHECK