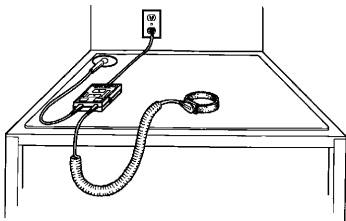


Key:

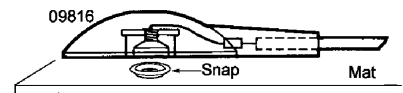
- A. 10mm (.395 in.) male snap to ground mats.
- B. Molded in green and yellow thermoplastic elastomer.
- C. High flex strand copper, 20 gauge, with PVC insulated jacket. Green insulation with yellow stripe. OD = .107"
- D. Barrel type banana plug. Crimped uniformly from 4 sides for maximum strength. Fits industry standard banana jack .166" (4.2mm).
- E. Brass crimp secures conductors and provides stress relief.
- F. Desco logo molded onto top of shroud.
- G. Date coded to show month and year of manufacture. Arrow points to month of manufacture (12:00 = December), numerals indicate the year (03 = 2003)
- H. 6-32 x 1/4" flat head screw and countersunk washer allows floor mat ground to be bolted to mat.



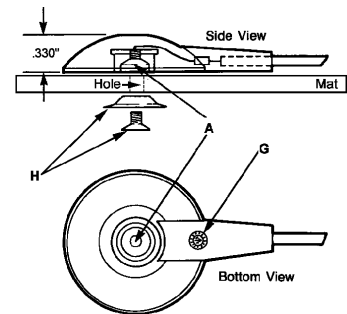
Item 09816 grounds and monitors work surface mat to your 98210/19210 Workstation Monitor.

Installation Procedure Options

1. Using existing snap on mat
 - A. Remove screw from the 09816.
 - B. Attach 09816 to 10mm snap socket on mat.



2. Permanent securing of 09816 with supplied washer and screw
 - A. Remove screw from the 09816.
 - B. Punch hole through mat using 3/8" diameter hole punch.
 - C. Use supplied counter sunk washer and screw to secure 09816 to mat.



GROUND CORD, THREADED 10MM SNAP STUD, BANANA PLUG

DESCO WEST: 3651 WALNUT AVE., CHINO, CA 91710 WEB SITE: www.desco.com
 PHONE (909) 627-8178 FAX (909) 627-7449 FAX REQUEST (909) 627-7126
 DESCO EAST: 90 HUDSON RD, CANTON, MA 02021-1407
 PHONE (781) 821-8370 FAX (781) 575-0172

DRAWING NUMBER
09816

DATE:
07/04

