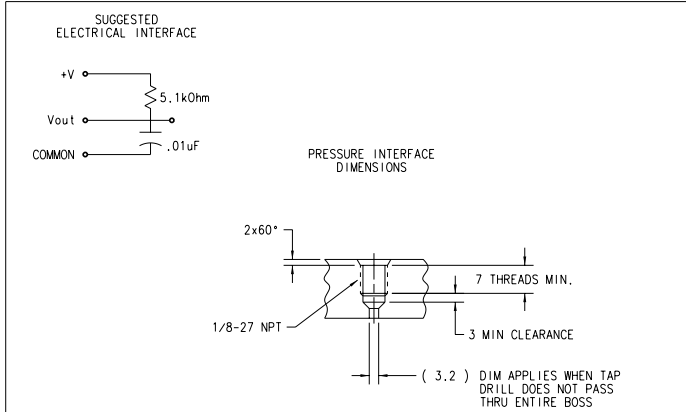
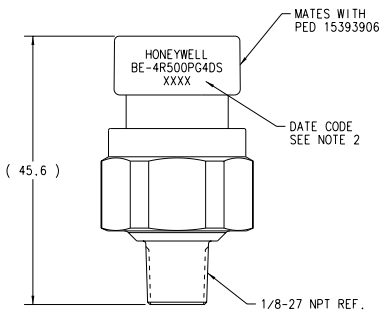
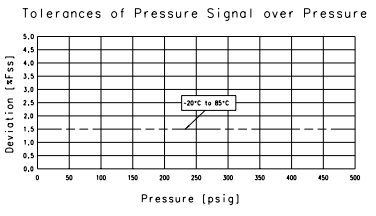
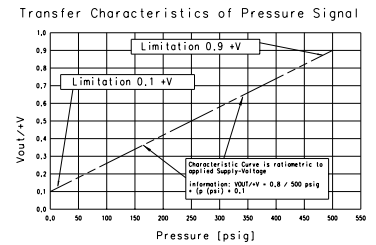


Part	Material
Contact pin	CDA 210 (brass)
Surface Treatment	Tin
Connector body - black	PBT 30x GF
Sensor housing	303 SS
Pressure Port	17-4 Stainless Steel

Specifications:

Maximum Tightening Torque	20 Nm
Recommended Tightening Torque	15 Nm
Current Consumption	10 mA
Supply Voltage	4.75 to 5.25 VDC
Output Current	2 kOhm min Load
Burst Pressure	1500 psi
Proof Pressure	1000 psi
This Sensor is Reverse Polarity/Overvoltage Protected to	14V
Temperature Range	-20°C to 85°C



- NOTES:
- INSTALLATION INSTRUCTION: WRAP 3.5 TO 4 TURNS OF 0.076mm (.003") THICK TEFLON THREAD SEALANT TAPE AND TORQUE SENSOR TO 15-20 Nm.
  - DATE CODE CONTAINS 4 DIGITS (XXXX) THE FIRST DIGIT SIGNIFIES THE YEAR THE LAST THREE DIGITS SIGNIFY THE DATE OF THE YEAR
  - VALIDATED TO TEST SPEC. 88842055

THIS DRAWING AND SPECIFICATIONS ARE THE PROPERTY OF HONEYWELL SENSING AND CONTROL AND SHALL NOT BE REPRODUCED, COPIED, OR USED IN THE MANNER OF MANUFACTURE OR SALE OF REPLICATES OF DEVICES WITHOUT WRITTEN PERMISSION OF HONEYWELL SENSING AND CONTROL.		DRAWING TO BE INTERPRETED USING ASME Y14.1M-1994 CHANGES TO BE DONE ON CAD SYSTEM ONLY		1 INCH 25 MM	DRAWN RY	
MAKE FROM		MATERIAL		1 PLACE	CHECKED T. PHAM	
FINISH		FINISH		2 PLACE	ENG. APP.	PART NAME FINAL ASSEMBLY, 500 PSI SS PRESS SENSOR
O2 ADDED CHARTS AND OTHER DATA		O1 1/8-27 NPT WAS 1/4-18 NPT		3 PLACE	TP 05/21/02	PART NO. 17650082
CH. CHANGE DESCRIPTION		APP'D BY		ANGULAR	E. S. N. 05/21/02	SCALE 2:1
				SCALE	44110	CHANGE 02