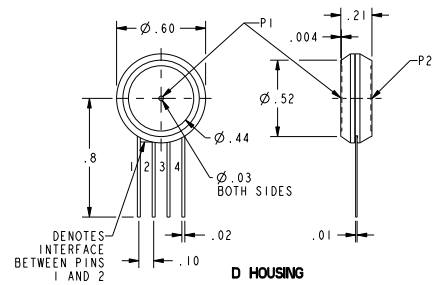
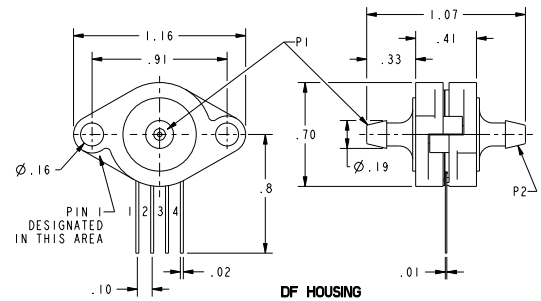


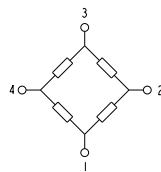
CATALOG LISTINGS	
⑥	XPC15DH
⑦	XPC15DTH
⑧	XPC0.3DH
⑨	XPC15DTC
⑩	XPC0.3DTC
⑪	XPC15DTH
⑫	XPC30DC
⑬	XPC0.3DTH
⑭	XPC30DTH
⑮	XPC01DH
⑯	XPC10DTC
⑰	XPC60DTH
⑱	XPC01DTH
⑲	XPC100DC
⑳	XPC05DFH
㉑	XPC05DC
㉒	XPC100DTC
㉓	XPC05DH
㉔	XPC05DTC
㉕	XPC05DTH
㉖	XPC15DC
㉗	SCDA143 XPL10DH



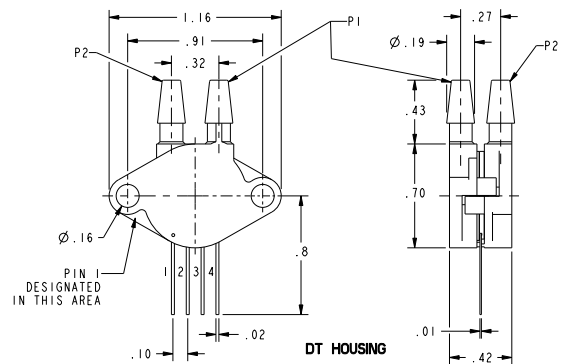
D STYLE (DIFFERENTIAL)	PERFORMANCE AT 25°C AND 12±0.01 Vdc (UNLESS OTHERWISE STATED)									
	C-GRADE			H-GRADE			UNITS	FULL SCALE PRESSURE PSI	PROOF PRESSURE PSI	BURST PRESSURE PSI
	MIN	NOM	MAX	MIN	NOM	MAX				
OFFSET (0 PSI)	-1	0	1	-0.5	0	0.5	mV			
0.3 SPAN PSI (P1>VENT)	19	20	21	19.5	20	20.5	mV	0.3	3	5
1 PSI SPAN (P1>P2)	17	18	19	17.5	18	18.5	mV	1	3	5
5 PSI SPAN (P1>P2)	57	60	63	59	60	61	mV	5	15	25
15 PSI SPAN (P1>P2)	85	90	95	89	90	91	mV	15	45	75
30 PSI SPAN (P1>P2)	85	90	95	89	90	91	mV	30	90	150
60 PSI SPAN (P1>P2)	85	90	95	89	90	91	mV	60	180	300
100 PSI SPAN (P1>P2)	95	100	105	99	100	101	mV	100	250	400
NULL SHIFT OVER TEMPERATURE (0-25, 25-70 °C)/Δ	---	---	±1	---	---	±.5	mV			
SPAN SHIFT OVER TEMPERATURE (0-25, 25-70 °C)/Δ	---	---	±2	---	---	±1	%SPAN			
COMBINED LINEARITY AND HYSTERESIS Δ	---	0.25	1	---	0.25	0.5	%SPAN			



GENERAL OPERATING CHARACTERISTICS	ALL PRESSURES AND GRADES			UNITS
	MIN	NOM	MAX	
EXCITATION VOLTAGE	3	12	16	Vdc
SUPPLY CURRENT	---	---	3.5	mA
INPUT RESISTANCE	5	---	---	K-OHMS
OUTPUT RESISTANCE	---	3	---	K-OHMS
OPERATING TEMPERATURE	-25	---	85	°C
STORAGE TEMPERATURE	-40	---	125	°C



PIN OUT	
1	-V EXCITATION
2	+ OUTPUT SIGNAL
3	+ V EXCITATION
4	- OUTPUT SIGNAL



- NOTES
- SPAN IS THE ALGEBRAIC DIFFERENCE BETWEEN THE OUTPUT AT FULL SCALE PRESSURE AND THE OFFSET OUTPUT
 - TEMPERATURE ERROR IS CALCULATED WITH RESPECT TO 25°C
 - LINEARITY IS MEASURED AT 1/2 FULL SCALE PRESSURE USING BEST STRAIGHT LINE FIT
 - THE OUTPUT OF THE SENSOR IS PROPORTIONAL, RATIO-METRIC, TO THE EXCITATION VOLTAGE. ALL SPECIFICATIONS WILL NOMINALLY BE CHANGED BY THE RATIO OF $V_{EXCITATION}/12.0$ Vdc
 - LIMIT SOLDERING TO 315°C FOR LESS THAN 10 SECONDS
 - INPUT MEDIA FOR P1 IS RESTRICTED TO DRY GASES ONLY
 - ADDITIONAL EPOXY DISPENSED ACROSS LEADS DURING BOTTOM ASSEMBLY PER SPECIAL CUSTOMER PROGRAMME.

UNLESS OTHERWISE SPECIFIED TOLERANCES ARE:	<input checked="" type="checkbox"/> FRACTIONAL <input type="checkbox"/> DECIMAL <input type="checkbox"/> MIXED	DRAWN	TRF	18APRO1
NO PLACE	X	±.040	±1	CHECK
ONE PLACE	.X	±.030	±0.4	AK
TWO PLACE	.XX	±.015	±0.15	
THREE PLACE	.XXX	±.005	±	
ANGLES		±	±	
RAW MATERIAL-COMMERCIAL STANDARD				
THIRD ANGLE PROJECTION				
THIS DRAWING COVERS A PROPRIETARY ITEM AND IS THE PROPERTY OF HONEYWELL. THIS DRAWING IS NOT TO BE COPIED OR USED WITHOUT THE PERMISSION OF HONEYWELL.				
DIMENSIONS ARE TO BE MET BEFORE PROTECTIVE COATINGS ARE APPLIED				
3D PTC ASME Y14.5M-1994				
Honeywell				
PRESSURE SENSOR				
TITLE		DRAWING NAME		
		XPC DIF SERIES CHART 1		
SIZE	DWG TYPE	DRAWING NAME		REV
C	I			9
SCALE	2:1	WEIGHT	SHEET	1 OF 1