

REV	DOCUMENT	CHANGED BY	CHECK
4	0033382	AB	30AUG07 CMH

SERIES CPX, G

DESIGNATES PRESSURE
L - LOW PRESSURE (IN H₂O)
 - NO DESIGNATION (PSI)

ACCURACY GRADE
C - COMMERCIAL GRADE
 - NO DESIGNATION
 COMMERCIAL GRADE

PORT OPTION
F - AXIAL
 - NO PORT/O-RING SEAL

PRESSURE RANGE
04, 10 IN H₂O
0.3, 01, 05, 15, 30,
60, 100, 150 PSI

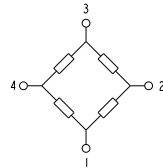
PRESSURE REFERENCE
G - GAGE

CATALOG LISTINGS

CPXL04GF
CPXL10GF
④
③
③
④
CPXL100G
③
③

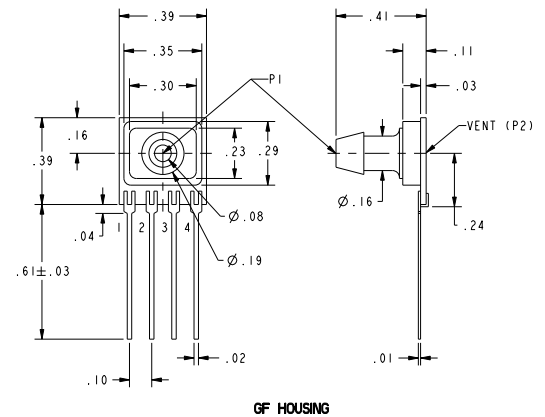
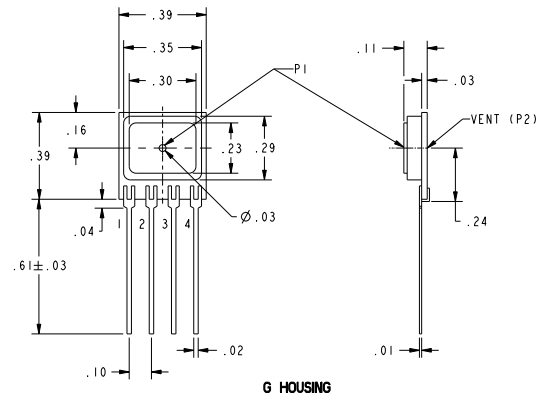
CPX/CPXL G STYLE (GAGE)	PERFORMANCE AT 25°C AND 5±0.01 V _{dc} (UNLESS OTHERWISE STATED)						
	C-GRADE			UNITS	FULL SCALE PRESSURE PSI	PROOF PRESSURE PSI	BURST PRESSURE PSI
	MIN	NOM	MAX				
OFFSET (FOR ALL LISTINGS)	-50	0	50	mV			
4 IN H ₂ O SPAN (P1>P2) (L04 LISTING)	50	68	86	mV	4 IN H ₂ O	3	5
10 IN H ₂ O SPAN (P1>P2) (L10 LISTING)	45	78.5	112	mV	10 IN H ₂ O	3	5
0.3 PSI SPAN (P1>P2)	37	65	93	mV	0.3	3	5
1 PSI SPAN (P1>P2)	40	75	110	mV	1	3	5
5 PSI SPAN (P1>P2)	112	168.5	225	mV	5	15	25
15 PSI SPAN (P1>P2)	168	253	338	mV	15	45	75
30 PSI SPAN (P1>P2)	168	253	338	mV	30	90	150
60 PSI SPAN (P1>P2)	189	263.5	338	mV	60	180	300
100 PSI SPAN (P1>P2)	210	295	380	mV	100	250	400
150 PSI SPAN (P1>P2)	187	262.5	338	mV	150	250	400
TEMPERATURE CHANGE BRIDGE RESISTANCE	---	2800	---	ppm/°C			
TEMPERATURE CHANGE SPAN	---	-1800	---	ppm/°C			
COMBINED LINEARITY AND HYSTERESIS Δ	---	---	1	% SPAN			

GENERAL OPERATING CHARACTERISTICS	ALL PRESSURES AND GRADES			UNITS
	MIN	NOM	MAX	
EXCITATION VOLTAGE	---	5	12	V _{dc}
INPUT RESISTANCE	---	3000	---	OHMS
OUTPUT RESISTANCE	---	3000	---	OHMS
OPERATING TEMPERATURE	-25	25	85	°C
STORAGE TEMPERATURE	-40	---	125	°C



PIN OUT	
1	-V EXCITATION
2	+ OUTPUT SIGNAL
3	+ V EXCITATION
4	- OUTPUT SIGNAL

- NOTES**
- SPAN IS THE ALGEBRAIC DIFFERENCE BETWEEN THE OUTPUT AT FULL SCALE PRESSURE AND THE OFFSET OUTPUT
 - Δ LINEARITY IS MEASURED AT 1/2 FULL SCALE PRESSURE USING BEST STRAIGHT LINE FIT
 - THE OUTPUT OF THE SENSOR IS PROPORTIONAL, RATIO-METRIC, TO THE EXCITATION VOLTAGE. ALL SPECIFICATIONS WILL NOMINALLY BE CHANGED BY THE RATIO OF V_{EXCITATION}/5.0 V_{dc}
 - LIMIT SOLDERING TO 315°C FOR LESS THAN 10 SECONDS
 - APPLYING PRESSURE TO PORT INDICATED ON THE DRAWINGS SHOWN
 - SENSORS ARE OPERATIONAL OVER VACUUM PRESSURE RANGE
 - P1 INPUT MEDIA RESTRICTED TO DRY GASES ONLY



UNLESS OTHERWISE SPECIFIED TOLERANCES ARE: <input checked="" type="checkbox"/> FRACTIONAL <input type="checkbox"/> DECIMAL <input type="checkbox"/> METRIC	DRAWN	GRT	I3MAR01	Honeywell
NO PLACE .X ±.040 ±1	CHECK	SAV	I3MAR01	
ONE PLACE .X ±.030 ±0.4	THIS DRAWING COVERS A PROPRIETARY ITEM AND IS THE PROPERTY OF HONEYWELL. THIS DRAWING IS NOT TO BE COPIED OR USED WITHOUT THE PERMISSION OF HONEYWELL.			TITLE
TWO PLACE .XX ±.015 ±0.15	THIRD ANGLE PROJECTION			SIZE DWG TYPE
THREE PLACE .XXX ±.005 ±	DIMENSIONS ARE TO BE MET BEFORE PROTECTIVE COATINGS ARE APPLIED			C I
ANGLES ±	3D PTC			DRAWING NAME
RAW MATERIAL-COMMERCIAL STANDARD	ASME Y14.5M-1994			CPX GAGE SERIES CHART 1 4
	SCALE	3:1	WEIGHT	SHEET 1 OF 1