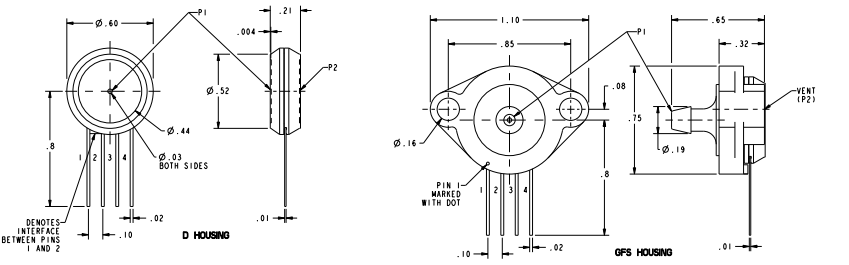


**CATALOG LISTINGS**

XPCLO4DC
XPCLO4DC
XPCLO4DFC
XPCLO4DFC
XPCLO4DC
XPCLO4DC
XPCLO4DFH
XPCLO4DFC
XPCLO4DFH
XPCLO4DFH
XPCLO4DFH
XPCLO4DFH

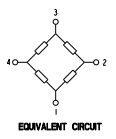


**VPCL PERFORMANCE AT 25°C AND 12±0.01 Vdc (UNLESS OTHERWISE STATED)**

G/D STYLE (RANGE/DIFFERENTIAL)	C-GRADE			H-GRADE			UNITS	FULL SCALE PRESSURE (1 IN H <sub>2</sub> O)	PROOF PRESSURE (PSI)	BURST PRESSURE (PSI)
	MIN.	NOM.	MAX.	MIN.	NOM.	MAX.				
OFFSET 10 IN H <sub>2</sub> O (FOR 04 ONLY)	-2	0	2							
OFFSET 10 IN H <sub>2</sub> O (FOR 10" ONLY)	-1	0	1	-0.5	0	0.5	mv			
4 IN H <sub>2</sub> O SPAN (P1/P2)	23	25	27	N/A	N/A	N/A	mv	4	3	5
10 IN H <sub>2</sub> O SPAN (P1/P2)	19	20	21	19.5	20	20.5	mv	10	3	5
NULL SHIFT OVER TEMPERATURE (-25, 25-TO °C/ΔV)				±1		±5	mv			
SPAN SHIFT OVER TEMPERATURE (-25, 25-TO °C/ΔV)				±2		±1	% SPAN			
COMBINED LINEARITY AND HYSTERESIS (Δ)				0.25	1	0.25	% SPAN			

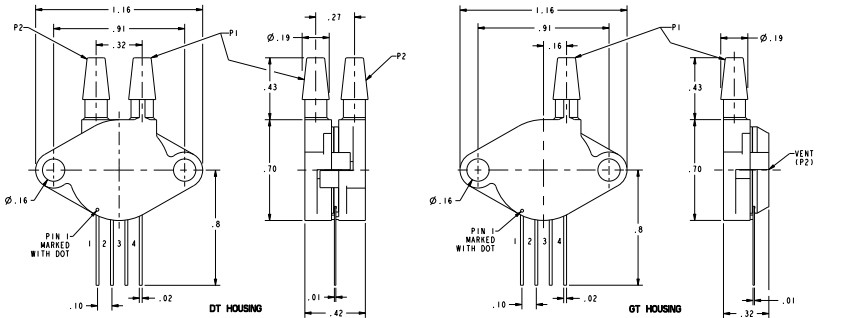
**GENERAL OPERATING CHARACTERISTICS**

CHARACTERISTIC	ALL PRESSURES AND GRADES			UNITS
	MIN.	NOM.	MAX.	
EXCITATION VOLTAGE	3	12	16	Vdc
SUPPLY CURRENT			3.5	mA
INPUT RESISTANCE	5			K-OHMS
OUTPUT RESISTANCE		3		K-OHMS
OPERATING TEMPERATURE	-25		85	°C
STORAGE TEMPERATURE	-40		125	°C



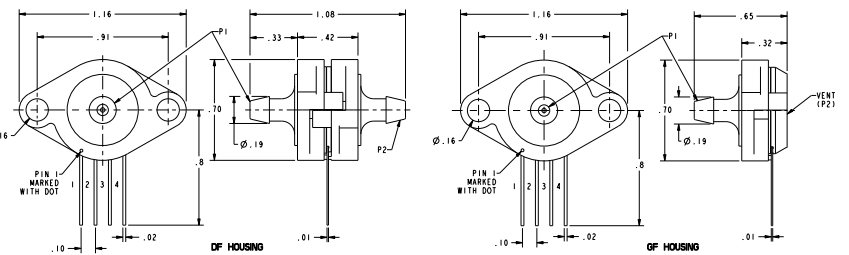
**PIN OUT**

1	-V EXCITATION
2	OUTPUT SIGNAL
3	+V EXCITATION
4	OUTPUT SIGNAL



**NOTES**

- SPAN IS THE ALGEBRAIC DIFFERENCE BETWEEN THE OUTPUT AT FULL SCALE PRESSURE AND THE OFFSET OUTPUT
- TEMPERATURE ERROR IS CALCULATED WITH RESPECT TO 25°C
- THE L04 LISTINGS HAVE A TEMPERATURE SHIFT RANGE FROM 0°C TO 25°C AND 25°C TO 50°C
- LINEARITY IS MEASURED AT 1/2 FULL SCALE PRESSURE USING BEST STRAIGHT LINE FIT
- THE OUTPUT OF THE SENSOR IS PROPORTIONAL, BAYONNETIC, TO THE EXCITATION VOLTAGE.
- ALL SPECIFICATIONS WILL NORMALLY BE CHANGED BY THE RATIO OF V<sub>EXCITATION</sub>/12.0 Vdc
- LIMIT SOLDERING TO 315°C FOR LESS THAN 10 SECONDS
- INPUT MEDIA FOR P1 IS RESTRICTED TO DRY GASES ONLY



<b>UNLESS OTHERWISE SPECIFIED TOLERANCES ARE:</b>	DECIMAL	FRACTION	DRIVEN	TSM	IBAPRO1
NO PLACE	± 0.00	± 1/100	CHECK	MDM	IBAPRO1
ONE PLACE	± 0.05	± 0.01	THIS DRAWING COVERS A PROPRIETARY ITEM AND IS THE PROPERTY OF HONEYWELL. THIS DRAWING IS NOT TO BE COPIED OR USED WITHOUT THE PERMISSION OF HONEYWELL.		
TWO PLACE	± 0.005	± 0.0005	DRAWING NAME: XPCLO4 SERIES CHART 1		
THIRD ANGLE PROJECTION	THIRD ANGLE PROJECTION		SCALE: 3:1		
<b>Honeywell</b>					
PRESSURE SENSOR					
REV 7					