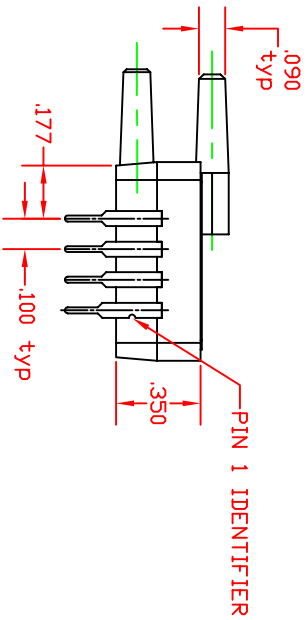
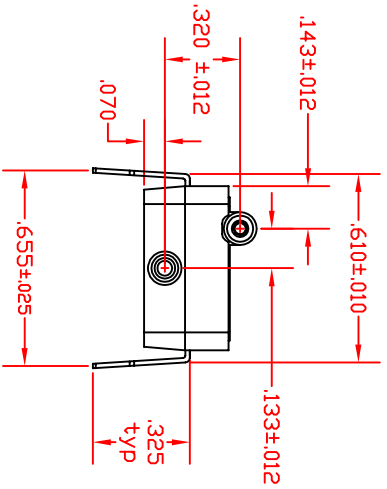
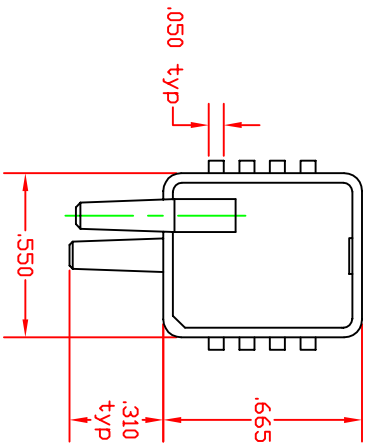


PROPRIETARY DATA
 This document may not be reproduced, disclosed, or otherwise used in whole or in part, without the written permission of **SENSATA ICT**



NOTES: UNLESS OTHERWISE SPECIFIED
 1. Δ INDICATES CRITICAL DIMENSIONS FOR INCOMING INSPECTION BY Q.A. PER ANSI Z1.4-1993, SINGLE SAMPLING, NORMAL INSPECTION, 0.65% AQL, LEVEL 1

REVISIONS				
LTR	DESCRIPTION	ECN#	DATE	APP'V
A	INITIAL RELEASE	9795	08/16/01	B.D
B	CORRECTED DIMENSION	10506	07/30/02	B.D
C	ADDED TOLERANCES	11020	03/17/03	B.D

THIRD ANGLE PROJECTION		UNLESS OTHERWISE SPECIFIED DIMENSIONS ARE IN INCHES		APPROVALS		DATE		Honeywell	
FINISH: UNLESS OTHERWISE SPECIFIED		TOLERANCES		DRAWN BY		DATE			
N/A		DESCRIPTORS: .XX=±.01 .XXX=±.005		BRUCE H		2/28/03		TITLE: SENSATA ICT 1804 MCKAY BLVD. MILPITAS, CA 95035	
MATERIAL: N/A		ANGULAR: ±1°		PRODUCT ENGR.		2/28/03		OUTLINE DRAWING ASDXXXXD4	
USED ON: ASDXXXXD4		DO NOT SCALE DRAWING		ORIGINATOR CHECK		SCALE: B		DRAWING NUMBER: S560239	
		5:1		CODE IDENT: 67234		SHEET 1 of 1		REV: C	

4 3 2 1