

REV	DOCUMENT	CHANGED BY	CHECK
3	0033382	AB	30AUG07 CMH

**SERIES**  
**DESIGNATES PRESSURE**  
 - NO DESIGNATION (PSI)

**PRESSURE RANGE**  
 05, 15, 30,  
 60, 100, 150 PSIA

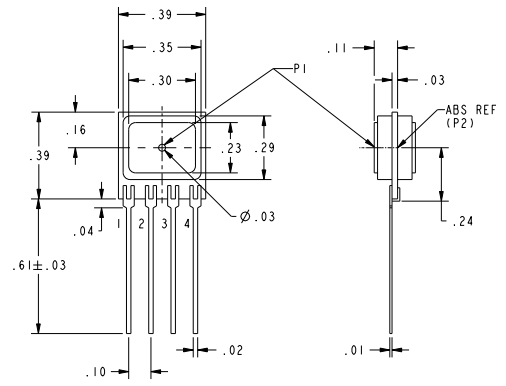
**ACCURACY GRADE**  
**C** - COMMERCIAL GRADE  
**H** - HIGH GRADE

**PORT OPTION**  
**F** - AXIAL  
 - NO PORT/O-RING SEAL

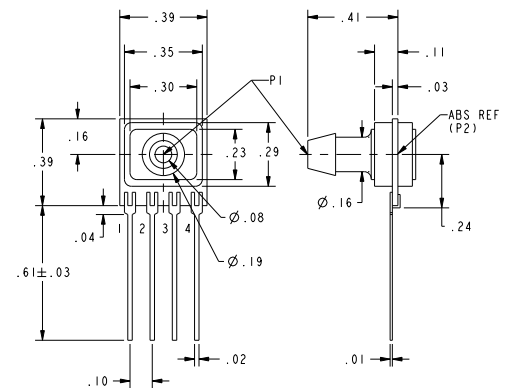
**PRESSURE REFERENCE**  
**A** - ABSOLUTE

**CATALOG LISTINGS**

CPC15AC
CPC15AFH
CPC15AFC
CPC15AH
CPC30AFH
③
CPC60AH
CPC100AFC
CPC100AFH
②
CPC150AFH



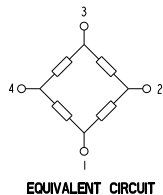
**A HOUSING**



**AF HOUSING**

A - STYLE (ABSOLUTE)	PERFORMANCE AT 25°C AND 12±0.01 Vdc (UNLESS OTHERWISE STATED)						UNITS	FULL SCALE PRESSURE PSI	PROOF PRESSURE PSI	BURST PRESSURE PSI
	C-GRADE			H-GRADE						
	MIN	NOM	MAX	MIN	NOM	MAX				
NULL OFFSET (0 PSIA), ALL LISTINGS	-1	0	1	-0.5	0	0.5	mVdc			
5 PSIA SPAN (P1>P2)	57	60	63	59	60	61	mVdc	5	15	25
15 PSIA SPAN (P1>P2)	85	90	95	89	90	91	mVdc	15	45	75
30 PSIA SPAN (P1>P2)	85	90	95	89	90	91	mVdc	30	90	150
60 PSIA SPAN (P1>P2)	85	90	95	89	90	91	mVdc	60	180	300
100 PSIA SPAN (P1>P2)	95	100	105	99	100	101	mVdc	100	250	400
150 PSIA SPAN (P1>P2)	85	90	95	89	90	91	mVdc	150	250	400
NULL SHIFT OVER TEMPERATURE (0-25, 25-70 °C) ⚠	---	---	±1	---	---	±.5	mV			
SPAN SHIFT OVER TEMPERATURE (0-25, 25-70 °C) ⚠	---	---	±2	---	---	±1	% SPAN			
COMBINED LINEARITY AND HYSTERESIS ⚠	---	0.25	1	---	0.25	0.5	% SPAN			

GENERAL OPERATING CHARACTERISTICS	ALL PRESSURES AND GRADES			UNITS
	MIN	NOM	MAX	
EXCITATION VOLTAGE	3	12	16	Vdc
SUPPLY CURRENT	---	---	3.5	mA
INPUT RESISTANCE	5	---	---	K-OHMS
OUTPUT RESISTANCE	---	3	---	K-OHMS
OPERATING TEMPERATURE	-25	---	85	°C
STORAGE TEMPERATURE	-40	---	125	°C



**PIN OUT**

1	-V EXCITATION
2	+ OUTPUT SIGNAL
3	+V EXCITATION
4	- OUTPUT SIGNAL

- NOTES**
- SPAN IS THE ALGEBRAIC DIFFERENCE BETWEEN THE OUTPUT AT FULL SCALE PRESSURE AND THE OFFSET OUTPUT
  - TEMPERATURE ERROR IS CALCULATED WITH RESPECT TO 25°C
  - LINEARITY IS MEASURED AT 1/2 FULL SCALE PRESSURE USING BEST STRAIGHT LINE FIT
  - THE OUTPUT OF THE SENSOR IS PROPORTIONAL, RATIO-METRIC, TO THE EXCITATION VOLTAGE. THE EXCITATION MAY VARY BETWEEN 3 TO 16 Vdc. ALL SPECIFICATIONS WILL NOMINALLY BE CHANGED BY THE RATIO OF  $V_{EXCITATION}/12.0$  Vdc
  - LIMIT SOLDERING TO 315°C FOR LESS THAN 10 SECONDS
  - PIN 1 IS IDENTIFIED BY THE DOT ON THE HOUSING AS SHOWN ON THE VARIOUS DRAWINGS
  - APPLY PRESSURE TO PORT INDICATED ON THE DRAWINGS SHOWN
  - SENSORS ARE OPERATIONAL OVER VACUUM PRESSURE RANGE
  - INPUT MEDIA RESTRICTED TO DRY GASES ONLY

UNLESS OTHERWISE SPECIFIED TOLERANCES ARE: <input checked="" type="checkbox"/> DECIMAL <input type="checkbox"/> FRACTION	DRAWN	TRF	02APR01	<b>Honeywell</b>
NO PLACE .X ±.040 ±1	CHECK	SAV	02APR01	
ONE PLACE .X ±.030 ±0.4	THIS DRAWING COVERS A PROPRIETARY ITEM AND IS THE PROPERTY OF HONEYWELL. THIS DRAWING IS NOT TO BE COPIED OR USED WITHOUT THE PERMISSION OF HONEYWELL.			TITLE
TWO PLACE .XX ±.015 ±0.15	DIMENSIONS ARE TO BE MET BEFORE PROTECTIVE COATINGS ARE APPLIED			SIZE DWG TYPE
THREE PLACE .XXX ±.005 ±	THIRD ANGLE PROJECTION			C I
ANGLES ±	3D PTC			DRAWING NAME
RAW MATERIAL-COMMERCIAL STANDARD	ASME Y14.5M-1994			CPC ABS SERIES CHART 1
	SCALE			3:1
	WEIGHT			SHEET 1 OF 1
	REV			3