

SERIES
DESIGNATES PRESSURE
L - LOW PRESSURE (1 IN H₂O)
 - NO DESIGNATION (PSI)
PRESSURE RANGE
0.3, 10, 15, 30, 60, 100, 150 PSI

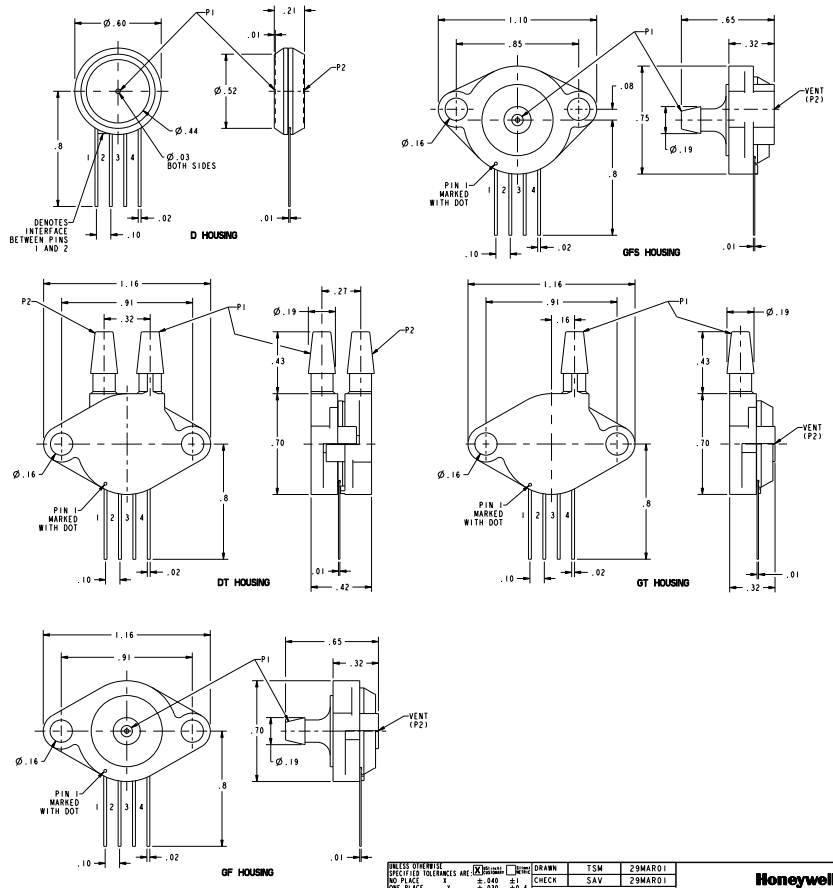
ACCURACY GRADE
C - COMMERCIAL GRADE
 - NO DESIGNATION
 COMMERCIAL GRADE
PORT OPTION
F - AXIAL
R - RADIAL
T - OFFSET AXIAL
PRESSURE REFERENCE
G - GAGE
D - DIFFERENTIAL

CATALOG LISTINGS

XPXL0406C
XPXL1001
XPXL010
XPXL10T
XPXL5GFS
XPXL300T
XPXL100D
XPXL001T
XPXL006FS
XPXL150D

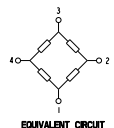
PERFORMANCE AT 25°C AND 5±0.01 Vdc (UNLESS OTHERWISE STATED)

XPX/XPXL G AND D STYLE (GAGE/DIFFERENTIAL)	C-GRADE			UNITS	FULL SCALE PRESSURE PSI	PROOF PRESSURE PSI	BURST PRESSURE PSI
	MIN	NOM	MAX				
OFFSET (FOR ALL LISTINGS)	-50	0	50	mV			
4 IN H ₂ O SPAN (P1×P2) (L4 LISTING)	50	40	80	mV	4 IN H ₂ O	3	5
10 IN H ₂ O SPAN (P1×P2) (L10 LISTING)	45	76.5	112	mV	10 IN H ₂ O	3	5
0.3 PSI SPAN (P1×P2)	37	45	93	mV	0.3	3	5
1 PSI SPAN (P1×P2)	40	75	110	mV	1	3	5
5 PSI SPAN (P1×P2)	112	168.5	225	mV	5	15	25
15 PSI SPAN (P1×P2)	168	253	338	mV	15	45	75
30 PSI SPAN (P1×P2)	168	253	338	mV	30	90	150
60 PSI SPAN (P1×P2)	189	263.5	338	mV	60	180	300
100 PSI SPAN (P1×P2)	210	295	380	mV	100	250	400
150 PSI SPAN (P1×P2)	187	262.5	338	mV	150	250	400
TEMPERATURE CHANGE BRIDGE RESISTANCE	---	2600	---	ppm/°C			
TEMPERATURE CHANGE SPAN	---	-1800	---	ppm/°C			
COMBINED LINEARITY AND HYSTERESIS (Δ)	---	---	1	% SPAN			



GENERAL OPERATING CHARACTERISTICS

CHARACTERISTICS	ALL PRESSURES AND GRADES			UNITS
	MIN	NOM	MAX	
EXCITATION VOLTAGE	---	5	12	Vdc
INPUT RESISTANCE	---	3000	---	OHMS
OUTPUT RESISTANCE	---	3000	---	OHMS
OPERATING TEMPERATURE	-25	25	85	°C
STORAGE TEMPERATURE	-40	---	125	°C



PIN OUT

1	-V EXCITATION
2	OUTPUT SIGNAL
3	+V EXCITATION
4	OUTPUT SIGNAL

- NOTES**
- SPAN IS THE ALGEBRAIC DIFFERENCE BETWEEN THE OUTPUT AT FULL SCALE PRESSURE AND THE OFFSET OUTPUT
 - LINEARITY IS MEASURED AT 1/2 FULL SCALE PRESSURE USING BEST STRAIGHT LINE FIT
 - THE OUTPUT OF THE SENSOR IS PROPORTIONAL, RATIO-METRIC, TO THE EXCITATION VOLTAGE.
 - ALL SPECIFICATIONS WILL NORMALLY BE CHANGED BY THE RATIO OF V_{EXCITATION}/5.0 Vdc
 - LIMIT SOLDERING TO 315°C FOR LESS THAN 10 SECONDS
 - PIN 1 IS IDENTIFIED BY THE DOT ON THE HOUSING OR BY THE BRIDGING TAB BETWEEN TERMINALS 1 AND 2
 - APPLY PRESSURE TO PORT INDICATED ON THE DRAWINGS SHOWN
 - SENSORS ARE OPERATIONAL OVER VACUUM PRESSURE RANGE
 - P1 INPUT MEDIA RESTRICTED TO DRY GASES ONLY
 - P2 INPUT MEDIA RESTRICTED TO MEDIA COMPATIBLE WITH NYLON, EPOXY ADHESIVE AND SILICON

UNLESS OTHERWISE SPECIFIED TOLERANCES ARE:

Dimensional	0.040	0.1
Form	0.015	0.015
Fit	0.015	0.015
Surface Finish	0.005	0

THIS DRAWING COVERS A PROPRIETARY ITEM AND IS THE PROPERTY OF HONEYWELL. THIS DRAWING IS NOT TO BE COPIED OR USED WITHOUT THE PERMISSION OF HONEYWELL. DIMENSIONS ARE TO BE MET BEFORE PROTECTIVE COATINGS ARE APPLIED.

Honeywell

THIRD ANGLE PROJECTION

DATE: 11/15/1994
 P/C: 30
 SCALE: 3:1

DRW TYPE: M
DRW NAME: XPX GAGE DIF SERIES CHART 1
SCALE: 3:1

TITLE: PRESSURE SENSOR

REV 5